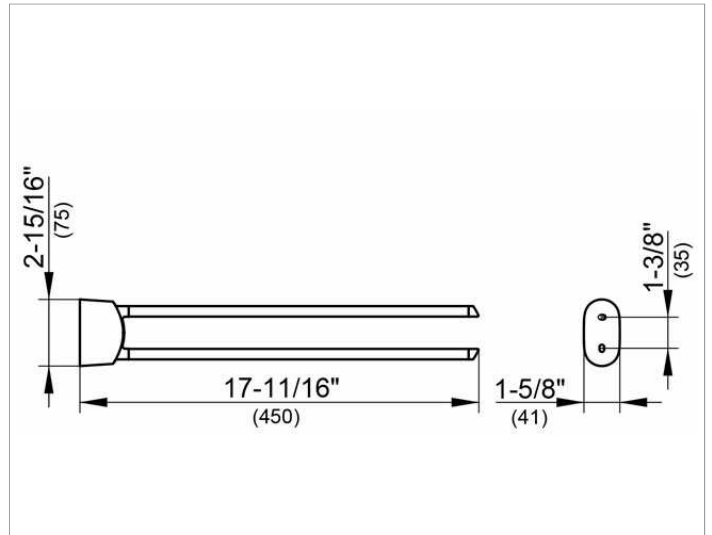


Elegance NEW
11618010000 Towel holder

PRODUCT



DRAWING



PRODUCT ATTRIBUTES

two arms, swiveling

SURFACE

polished chrome

DIMENSION

17,72 "

SPECIFICATIONS

KEUCO ELEGANCE Towel holder 11618010000
Chrome-plated Towel holder with an elegant shape,
slightly shaped surface with a timeless design,
two arms, swiveling
Projection: 17-11/16",
The Towel hook will be discretely mounted
incl. corrosion-free mounting material

Warranty: KEUCO products are covered by a 5-year manufacturer's warranty, in effect from the date of purchase. During this time, proven product defects will be remedied free of charge. Warranty claims must be filed in writing, including a detailed description of the defect immediately after a defect has occurred. For a copy of our detailed product warranty policy, please contact us at office-usa@keuco.com.

Installation: KEUCO products must be installed by a qualified professional in accordance with the respective installation guidelines and any applicable federal / local building codes and regulations.