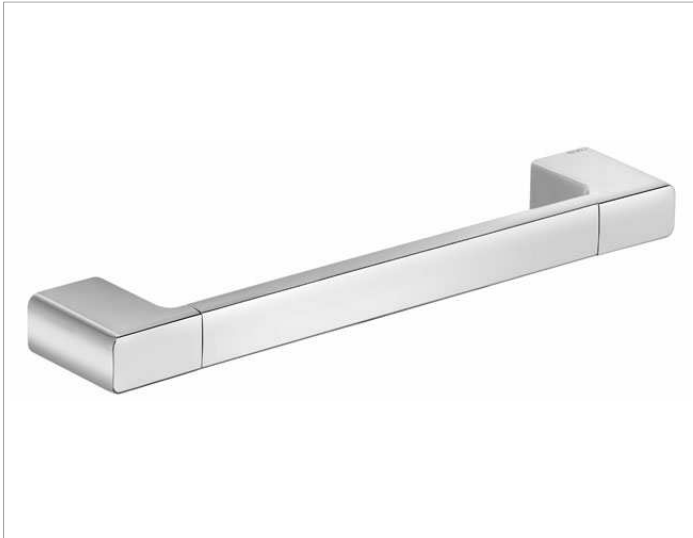
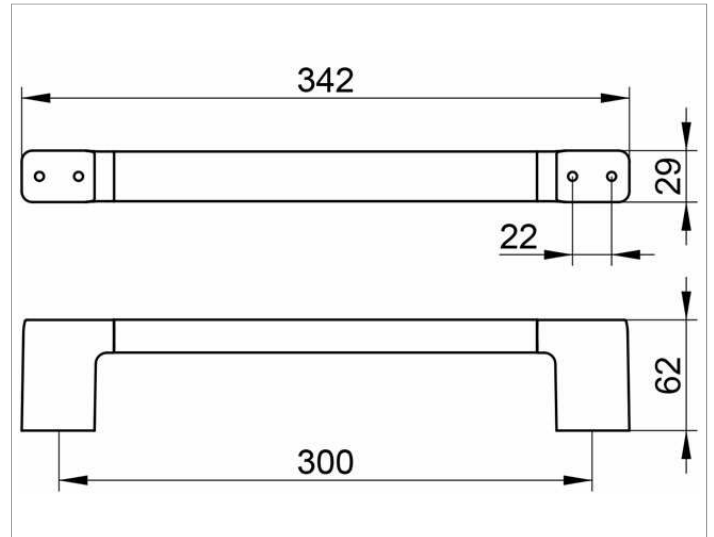


Collection Moll
12707010000 Grab bar

PRODUCT



DRAWING



SURFACE

chrome-plated

DIMENSION

300 mm

SPECIFICATIONS

KEUCO COLLECTION MOLL grab rail 12707010000
 Chrome-plated grab rail, in an esthetic design with slightly rounded edges,
 Load bearing up to 115 kg, anti-static, easy to clean
 Centre to centre 300 mm with overall width of 342 mm
 Depth 62 mm
 The grab rail is fitted with 4 hidden fixing points,
 incl. corrosion-free mounting material