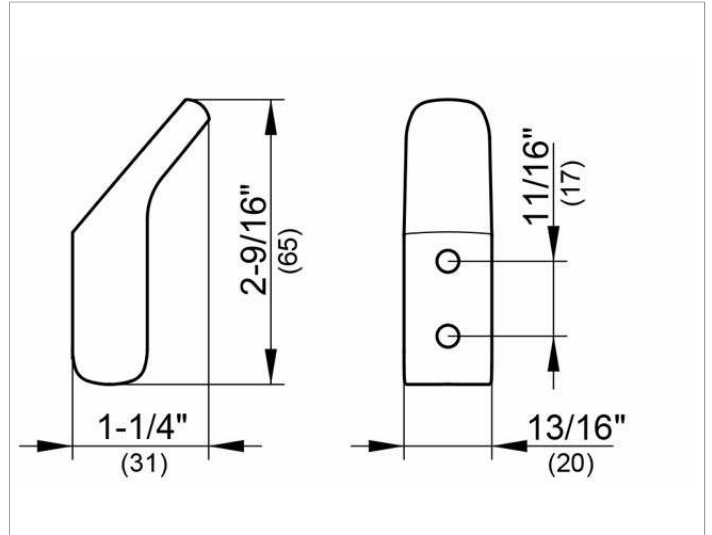


Collection Moll
12715010000 Towel hook

PRODUCT



DRAWING



SURFACE

chrome-plated

SPECIFICATIONS

KEUCO COLLECTION MOLL towel hook 12715010000
 Chrome-plated towel hook in an esthetic design with slightly rounded edges,
 Rectangular base, rectangular supporting area, hook head rounded edges,
 Easy to clean
 Projection 31 mm, Width 20 mm, Total height 65 mm
 The towel hook is fitted with 2 hidden fixing points, incl. corrosion-free material

Warranty: KEUCO products are covered by a 5-year manufacturer's warranty, in effect from the date of purchase. During this time, proven product defects will be remedied free of charge. Warranty claims must be filed in writing, including a detailed description of the defect immediately after a defect has occurred. For a copy of our detailed product warranty policy, please contact us at office-usa@keuco.com.
Installation: KEUCO products must be installed by a qualified professional in accordance with the respective installation guidelines and any applicable federal / local building codes and regulations.