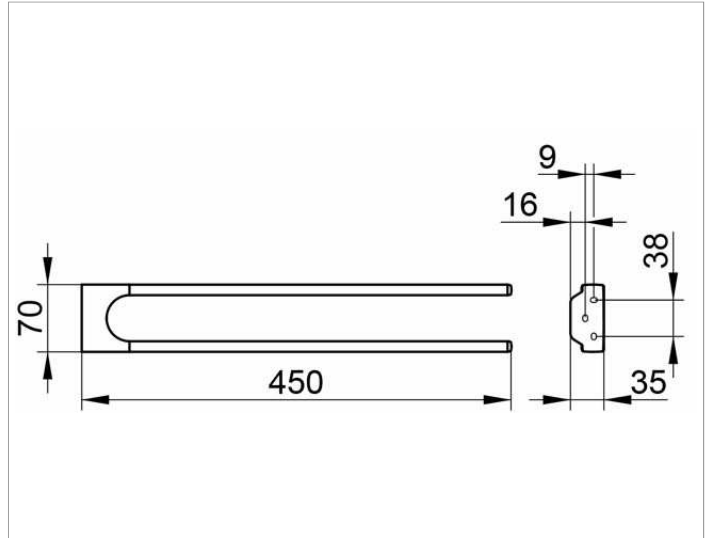


**Collection Moll**  
**1271801000 Towel holder**

**PRODUCT**



**DRAWING**



**PRODUCT ATTRIBUTES**

fixed

**SURFACE**

chrome-plated

**DIMENSION**

450 mm

**SPECIFICATIONS**

KEUCO COLLECTION MOLL towel holder 1271801000  
 Chrome-plated towel holder in an esthetic design with slightly rounded edges  
 Two parallel arranged fixed arms  
 Anti-static, easy to clean,  
 Projection: 450 mm  
 The towel holder is fitted with two hidden fixing points  
 incl. corrosion-free mounting material