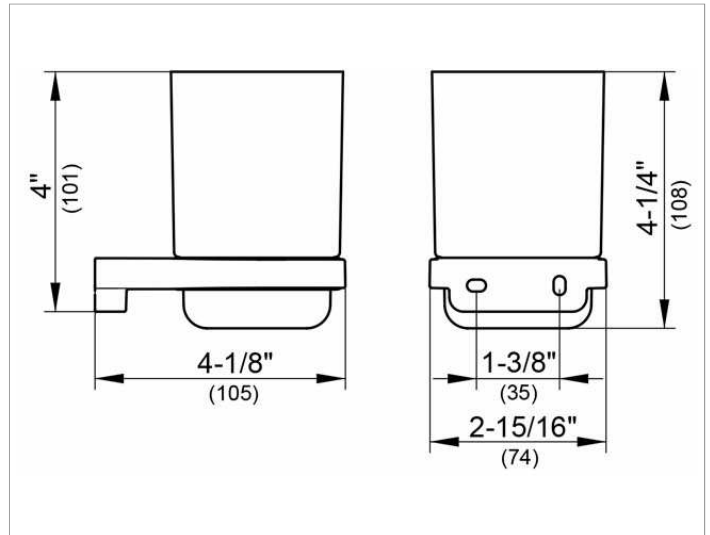


**Collection Moll**  
**12750019000 Tumbler holder**

**PRODUCT**



**DRAWING**



**PRODUCT ATTRIBUTES**

complete with crystal glass tumbler

**SURFACE**

chrome-plated

**SPECIFICATIONS**

KEUCO COLLECTION MOLL tumbler holder 1275019000  
 Chrome-plated tumbler holder in an esthetic design, holder with slightly rounded edges, complete with crystal glass tumbler (diameter 74 mm), easy to clean,  
 Width 74 mm, Height 108 mm, Projection 105 mm  
 The tumbler holder is fitted with two hidden fixing points incl. corrosion-free mounting material

**Warranty:** KEUCO products are covered by a 5-year manufacturer's warranty, in effect from the date of purchase. During this time, proven product defects will be remedied free of charge. Warranty claims must be filed in writing, including a detailed description of the defect immediately after a defect has occurred. For a copy of our detailed product warranty policy, please contact us at [office-usa@keuco.com](mailto:office-usa@keuco.com).

**Installation:** KEUCO products must be installed by a qualified professional in accordance with the respective installation guidelines and any applicable federal / local building codes and regulations.