

INSTALLATION INSTRUCTIONS

Handshower Applications

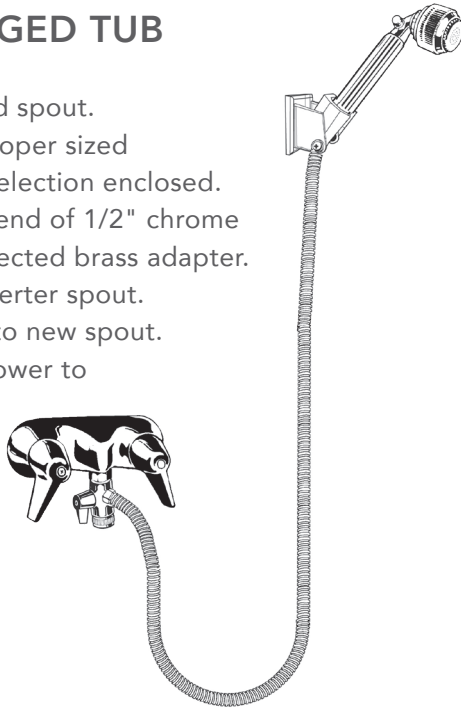
Note: The handshower and mounting brackets included may be different from the models shown. Some handshowers have push button pause control features built in. If yours does not, volume control attachments are sold separately. To prevent damage during installation, tighten the connections by hand. Do not use wrenches or pliers.

JACLO®

Confidence from start to finish.®

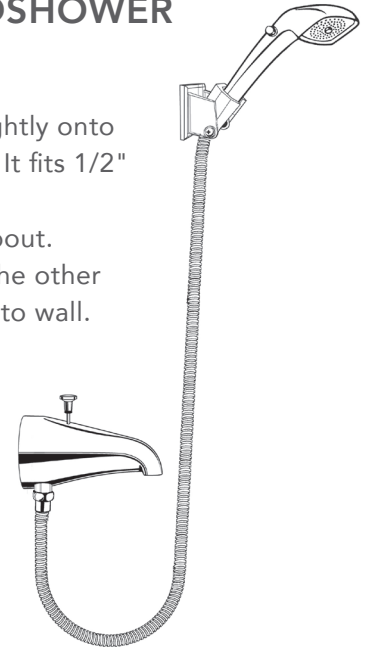
ADD A HANDSHOWER TO A FOUR-LEGGED TUB

1. Remove the old spout.
2. Screw in the proper sized adapter from selection enclosed.
3. Attach female end of 1/2" chrome base to the selected brass adapter.
4. Attach new diverter spout.
5. Connect hose to new spout.
6. Attach handshower to other end of hose and mount to wall.



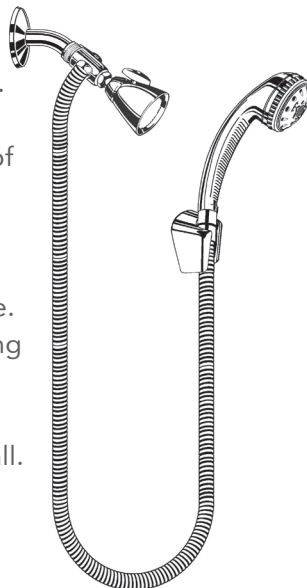
CHANGE YOUR TUB SPOUT AND ADD A HANDSHOWER

1. Remove the old spout.
2. Screw the new spout tightly onto the pipe nipple. Note: It fits 1/2" or 3/4" pipe.
3. Connect hose to new spout.
4. Attach handshower to the other end of hose and mount to wall.



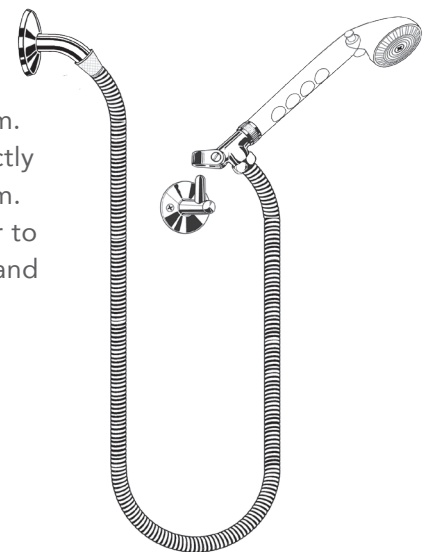
KEEP YOUR SHOWERHEAD AND ADD A HANDSHOWER TOO

1. Remove the old, fixed showerhead from showerarm.
2. Screw diverter valve onto showerarm. Note: the style of your diverter valve may differ from picture shown.
3. Screw the fixed showerhead onto the end of diverter valve.
4. Connect hose to the remaining threads of diverter valve.
5. Attach handshower to other end of hose and mount to wall.



REMOVE YOUR SHOWERHEAD AND REPLACE WITH A HANDSHOWER

1. Remove the old, fixed showerhead from the showerarm.
2. Connect hose directly onto the showerarm.
3. Attach handshower to other end of hose and mount to wall.



CARE INSTRUCTIONS

In order to maintain the high quality finish of JACLO products, please adhere to the following product care instructions:

Cleaning JACLO products: For routine cleaning, simply use a soft damp cloth and common household soap, then rinse and dry. Proper care of your product is important because most water contains calcium that deposits on surfaces, forming unpleasant spots. This can be avoided by routine cleaning and drying after every use. Use only mild soap based detergents.

Never use abrasive cleaners, bleach, disinfectants or cleaning products containing alcohol, ammonia, hydrochloric or phosphoric acids as they will damage the product finish.

Please note: Your product warranty may not be valid if the above cleaning guidelines are not followed.

The use of water softeners, which are loaded with salt, will destroy any finish in time. Use of water softeners void all warranties.

WARRANTY

Residential Warranty: Your new plumbing fixture is warranted by **JACLO INDUSTRIES**, 129 Dermody Street, Cranford, NJ 07016. This warranty is extended to original consumer purchasers only. This warranty gives you specific legal rights, and you may also have other rights which vary from state to state.

The product (including the finish on the product but excluding any custom finishes and any installation hardware not supplied by JACLO) is warranted to be free from defects in material or workmanship under normal use and service for the lifetime* of the fixture, so long as the original consumer purchaser owns it. JACLO's sole obligation under this or any other warranty is limited to repairing or replacing at JACLO's option, without labor, any part or parts of the fixture which fall to conform to such warranty.

JACLO WILL NOT BE LIABLE FOR ANY CONSEQUENTIAL OR INCIDENTAL DAMAGES CAUSED BY A BREACH OF THIS OR ANY OTHER WARRANTY.

Some states do not allow the exclusion of limitation of incidental or consequential damages, so the above limitation may not apply to you.

To secure warranty performance, the original consumer purchaser must have the fixture properly and professionally installed in accordance with all codes and installation instructions.

Items and actions that will void the JACLO warranty are:

- Abuse, misuse, neglect and accidental damage
- Improper cleaning care of maintenance of the fixture
- Alteration of the fixture in any way including removal of a flow regulator/restrictor

All warranty claims must be made in accordance with the JACLO return policy (see below).

JACLO does not authorize any distributor, retailer or other person to modify this warranty or assume any liability on its behalf with respect to it. Any question regarding the operation of warranty should be addressed to JACLO's warranty department.

*Due to the unpredictable environment, all kitchen drains, strainers and garbage disposal flanges are warranted for the period of one year from date of purchase from an authorized JACLO dealer

Commercial Warranty: JACLO extends the above warranty for a period of one year from date of purchase to purchasers of products for industrial, commercial, business and all non-private residential uses.