

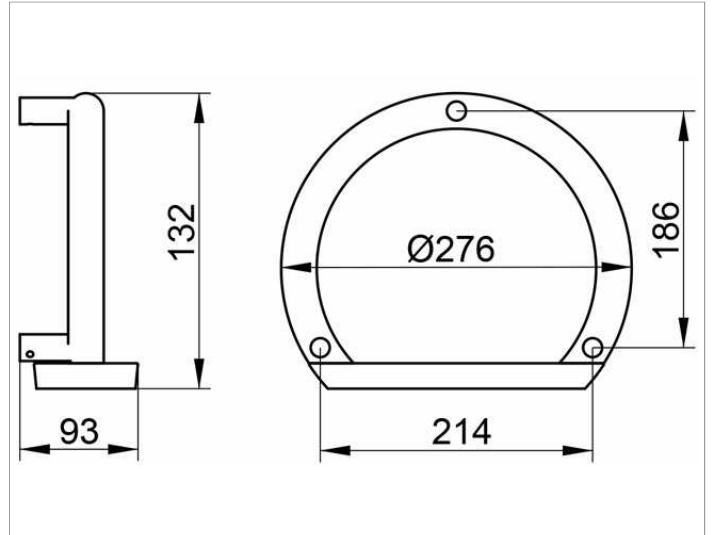
Project items

04909010000 Grab bar

PRODUCT



DRAWING



PRODUCT ATTRIBUTES

with integrated shelf

SURFACE

chrome-plated