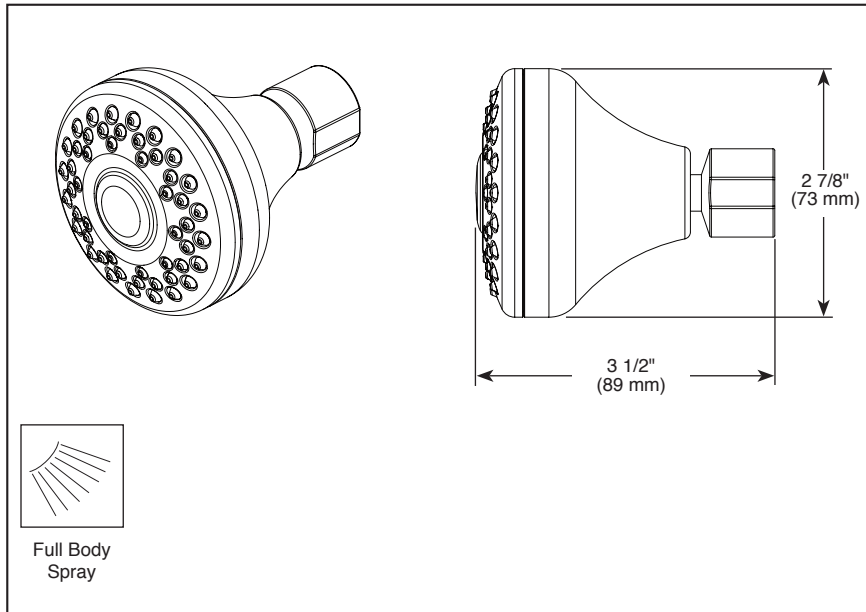


52672-15-BG
52672-WH15-BG

Submitted Model No.: _____

Specific Features: _____



CLASSIC BASIC SHOWERHEAD

STANDARD SPECIFICATIONS

- Maximum 1.5 GPM @ 80 PSI, 5.7 L/Min @ 550 kPa
- Single spray setting
- Touch-clean spray holes

WARRANTY

- Lifetime limited warranty on parts (other than electronic parts and batteries) and finishes; or, for commercial users, for 5 years from date of purchase.
- 5 year limited warranty on electronic parts (other than batteries); or, for commercial users, for 1 year from the date of purchase. No warranty is provided on batteries.



COMPLIES WITH:

- ASME A112.18.1 / CSA B125.1
- EPA WaterSense®

Delta reserves the right (1) to make changes in specifications and materials, and (2) to change or discontinue models, both without notice or obligation. Dimensions are for reference only. See current full-line price book or www.deltafaucet.com for finish options and product availability.

DSP-B-52672-15-BG Rev. A



55 E. 111th Street, Indianapolis, Indiana 46280
350 South Edgeware Road, St. Thomas, ON N5P 4L1
© 2015 Masco Corporation of Indiana