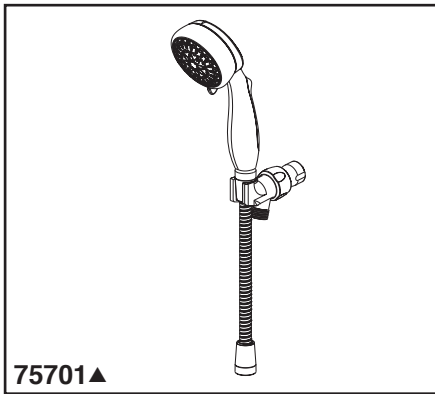




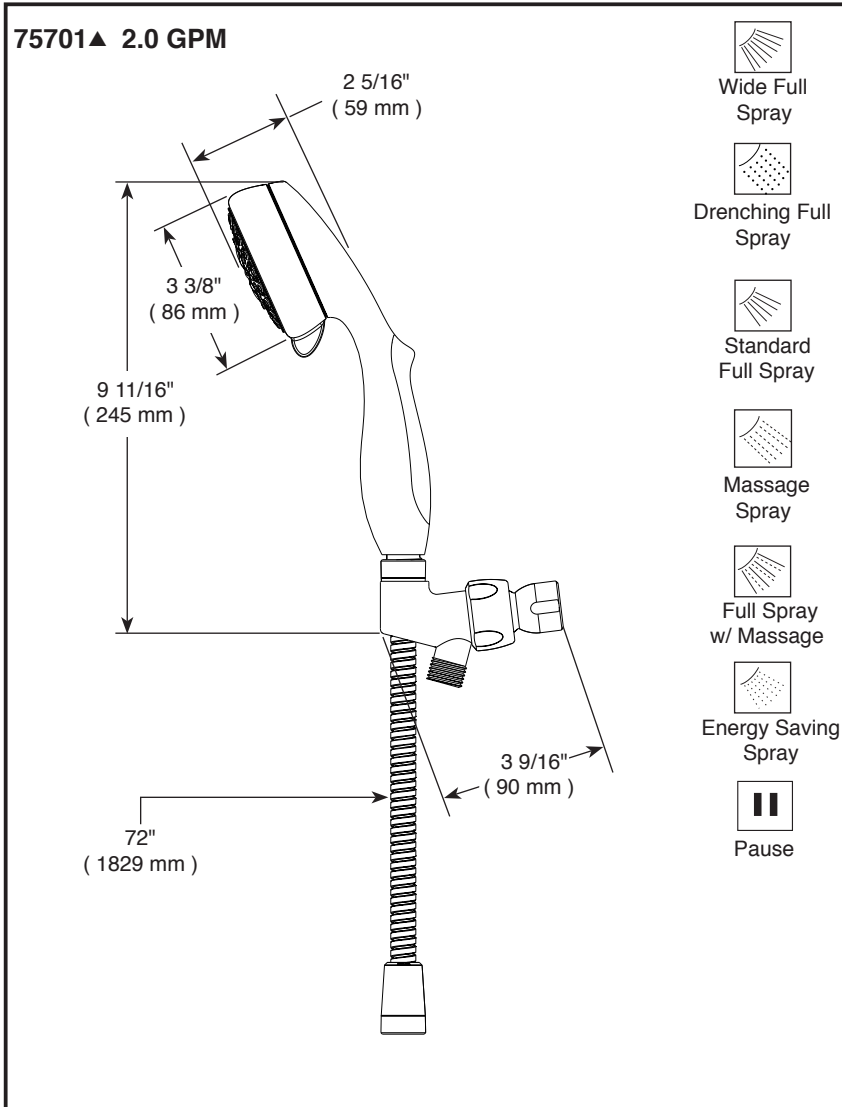
HAND SHOWER

- 7-Spray settings arm mount handshower
- Touch-Clean® & Anti-Clog nozzles



Submitted Model No.: _____

Specific Features: _____



STANDARD SPECIFICATIONS:

- Maximum flow rate 2.0 gpm @ 80 PSI, 7.6L/min @ 552kPa.
- 72"(1829mm) Ultra Flex hose.
- Model includes shower arm mount.
- Adjustable shower arm mount allows for hands-free showering.
- Easy-turn spray dial.
- Ergonomic, Non-Slip handle.
- Hand held shower with seven spray settings - not a positive shut-off.

WARRANTY

- Lifetime limited warranty on parts (other than electronic parts and batteries) and finishes: or, for commercial users, for 5 years from date of purchase.
- 5 year limited warranty on electronic parts (other than batteries); or, for commercial users, for 1 year from the date of purchase. No warranty is provided on batteries.



COMPLIES WITH

- ASME A112.18.1 / CSA B125.1
- EPA WaterSense®



55 E. 111th Street, Indianapolis, Indiana 46280
 350 South Edgeware Road, St. Thomas, Ontario Canada N5P 4L1
 © 2015 Masco Corporation of Indiana

▲ Designate proper finish suffix

Delta reserves the right (1) to make changes in specifications and materials, and (2) to change or discontinue models, both without notice or obligation. Dimensions are for reference only. See current full-line price book or www.deltafaucet.com for finish options and product availability.