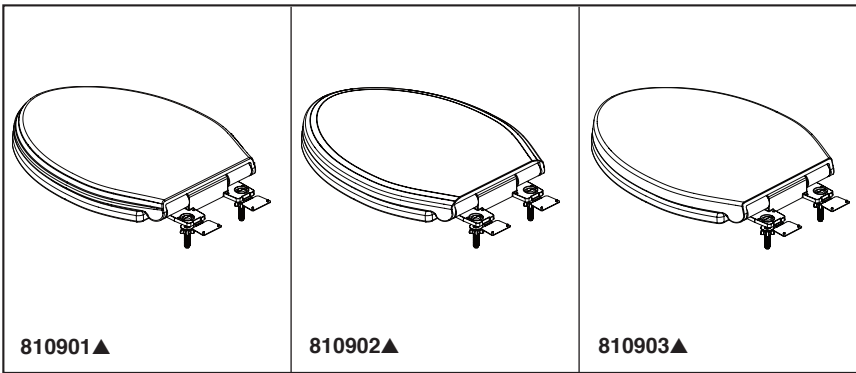




TOILET SEAT



Submitted Model No.: _____

Specific Features: _____

FEATURES:

- NoSlip™ bumpers keep seat from shifting
- Fast and secure installation
- Universal fit on most elongated front bowls (~1/2" adjustability)
- Solid construction with added weight for durability

STANDARD SPECIFICATIONS

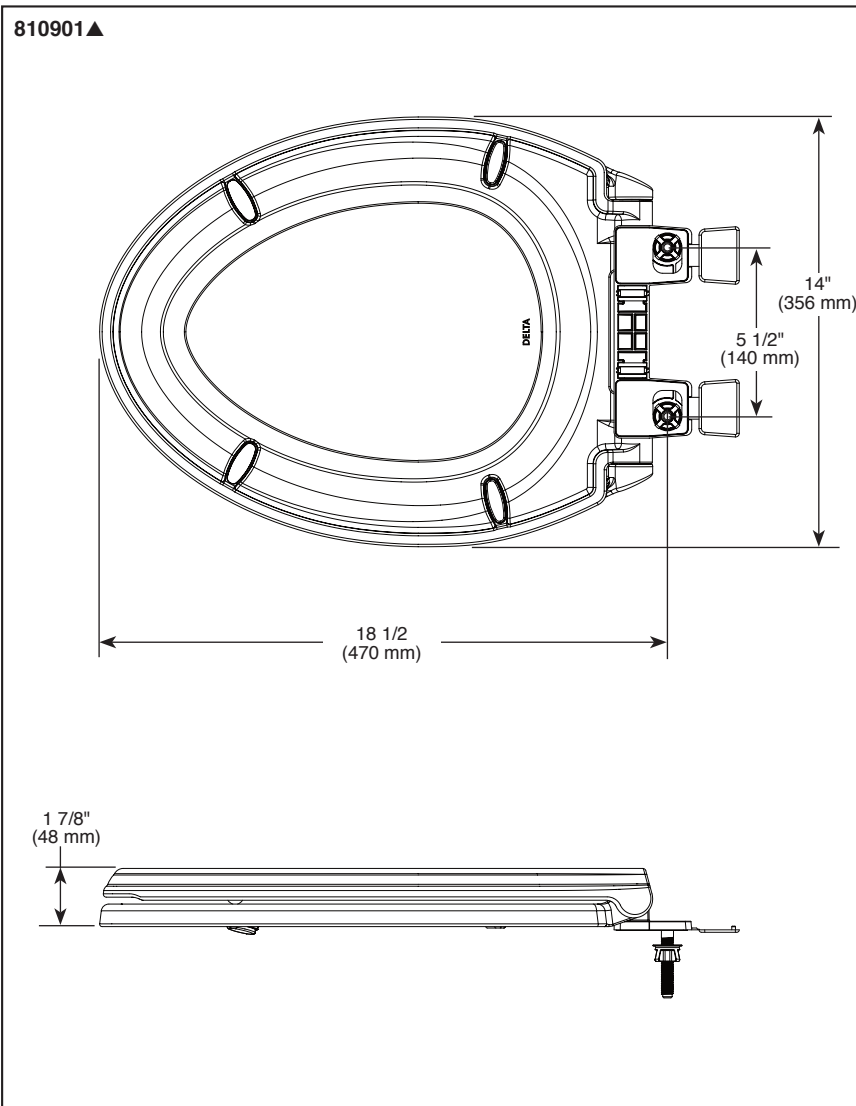
- Elongated shape
- 5 1/2" (140 mm) seat mounting holes

WARRANTY

- One year warranty on toilet seats

COMPLIES WITH:

- IAPMO / ANSI Z 124.5



▲ Designate Proper Finish Suffix

Delta reserves the right (1) to make changes in specifications and materials, and (2) to change or discontinue models, both without notice or obligation. Dimensions are for reference only. See current full-line price book or www.deltatoliet.com for finish options and product availability.

DSP-B-810901 Rev. A



55 E. 111th Street, Indianapolis, Indiana 46280
350 South Edgeware Road, St. Thomas, ON N5P 4L1
© 2015 Masco Corporation of Indiana