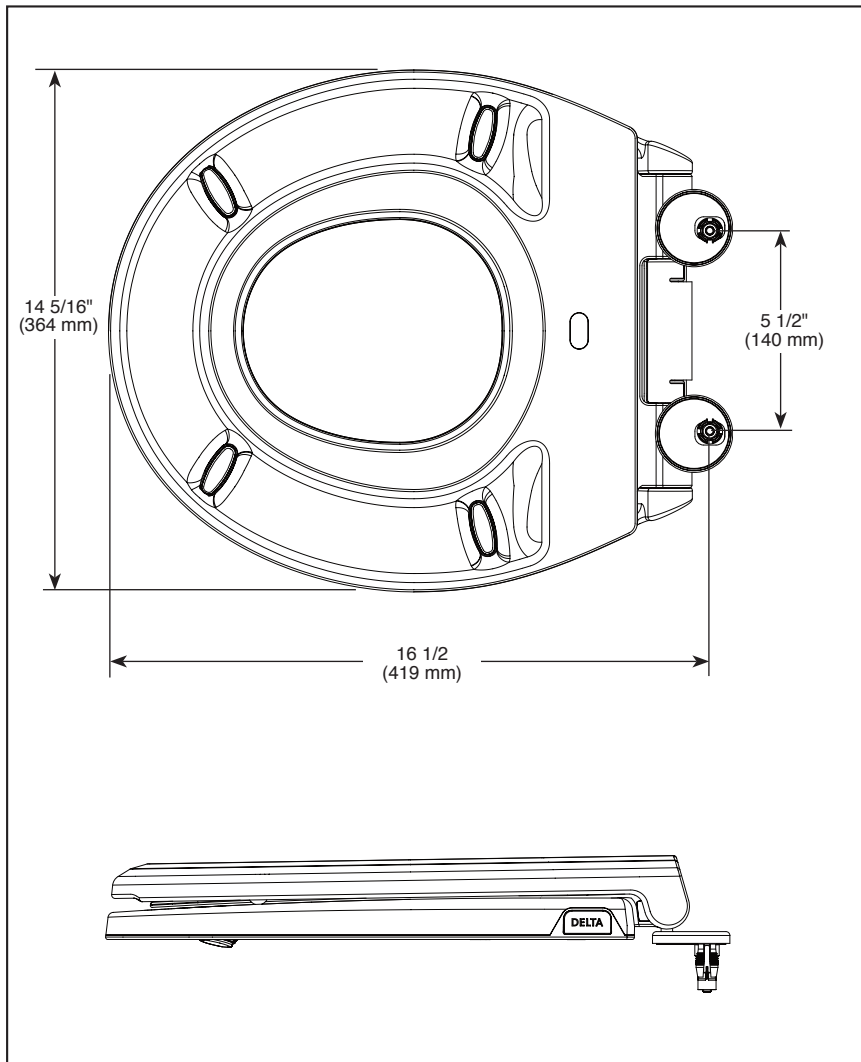


823902N▲

Submitted Model No.: \_\_\_\_\_

Specific Features: \_\_\_\_\_



▲ Designate Proper Finish Suffix



## NIGHTLIGHT TOILET SEAT

■ Sanborne® Collection

### FEATURES:

- Integrated night light illuminates bowl
- Automatic 7-hour timer
- 2-in-1 toilet seat for both adults and children
- Child seat can be removed when no longer needed
- Slow-Close lid and ring prevents slamming
- Quick-Release seat for removal during cleaning
- NoSlip™ bumpers keep seat from shifting
- Fast and secure top-down installation
- Universal fit on most round front bowls (~1/2" adjustability)
- Solid construction with added weight for durability

### STANDARD SPECIFICATIONS

- Round front shape
- Battery operated (4 AA's)
- Up to 6 months of battery life
- 5 1/2" (140 mm) seat mounting holes

### WARRANTY

- One year warranty on toilet seats

### COMPLIES WITH:

- IAPMO / ANSI Z 124.5

Delta reserves the right (1) to make changes in specifications and materials, and (2) to change or discontinue models, both without notice or obligation. Dimensions are for reference only. See current full-line price book or [www.deltatilet.com](http://www.deltatilet.com) for finish options and product availability.

DSP-B-823902N Rev. A



55 E. 111th Street, Indianapolis, Indiana 46280  
350 South Edgeware Road, St. Thomas, ON N5P 4L1  
© 2015 Masco Corporation of Indiana