

Starck 3

Mounting instructions

Flushometer toilet, floor standing

2165010000



Important information

4

en



Installation

5



Important information

Regarding the mounting instructions

These mounting instructions come as part of the Duravit product and should be read carefully prior to installation.

Explanation of the key words and symbols

CAUTION At high risk of fatal hazards or serious injuries

NOTICE In the case of potential damage to property



Link to the **installation information** in this section



Inspection (e.g. for scratches)



Inspect to check for leaks and tightness

Target group and qualification

The toilet must be installed by certified plumber.

NOTICE

Local installation regulations and any country-specific standards must be observed at all times.

Safety information

CAUTION

Personal injury or breakage through fragile product.

- > 2 people are recommended of handling.
- > Handle with care.

NOTICE

Risk of product damage. Overtightening may cause breakage or chipping of vitreous china.

- > Handle with care.

Risk of external leakage.

- > Do not lift or rock the bowl after placement.
- > If you break the watertight seal, you must install a new wax seal.

Water installation

HET (high efficiency toilet): 1.28 gpf / 4.8 lpf

Operation pressure:

Recommended: 25 – 80 psi / 172 – 550 kPa

Installation information

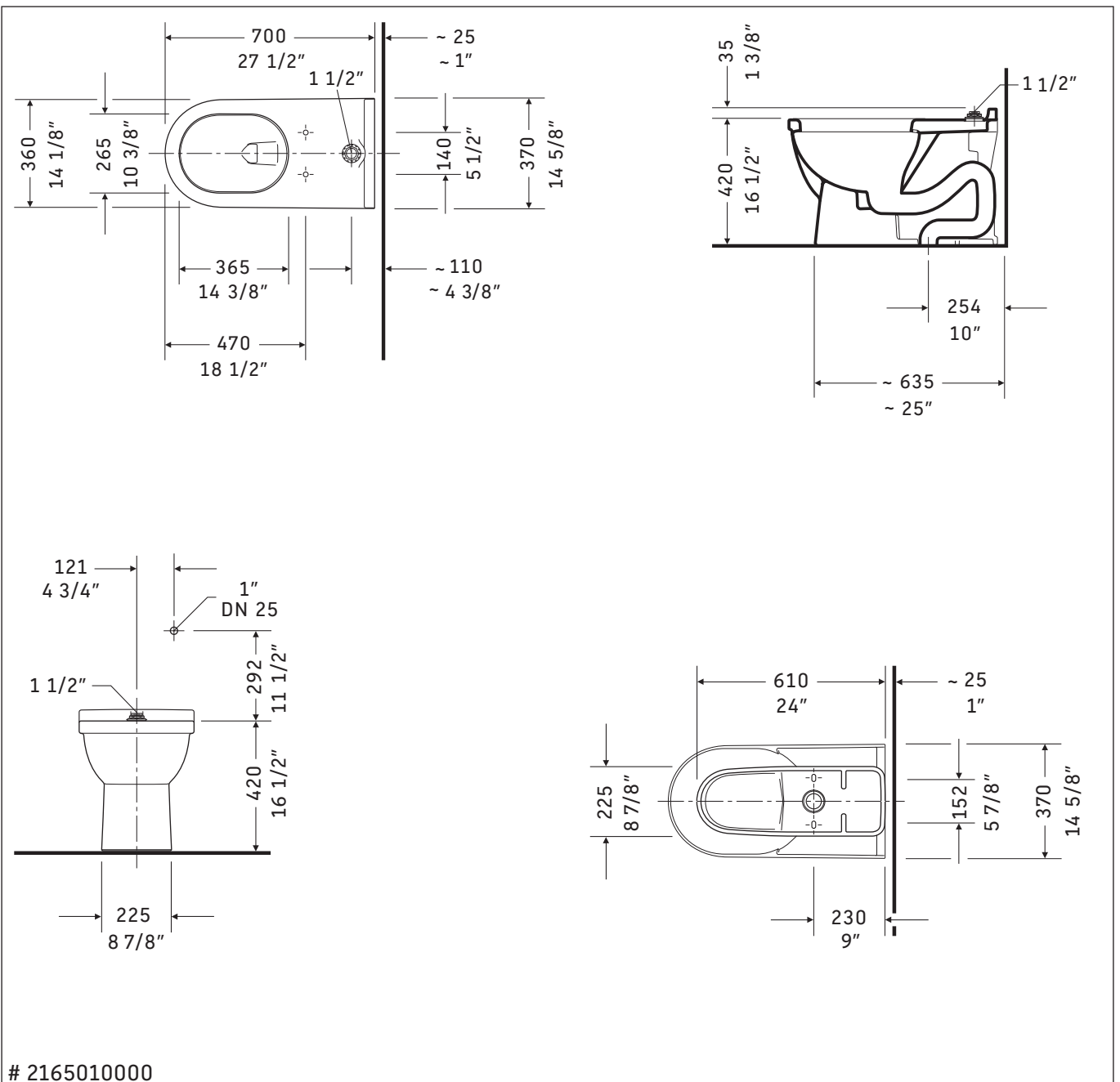
Please read pre-installation datasheets prior to the installation. These are available to download on the Internet at www.duravit.us.

2 Turn off water (Diagram 2)

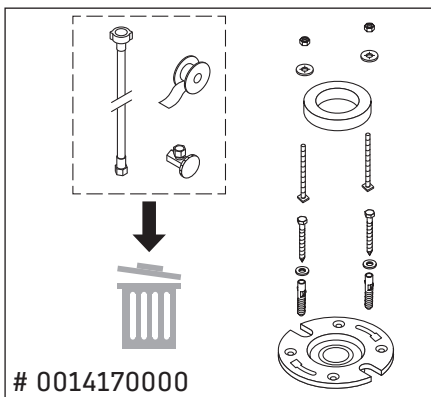
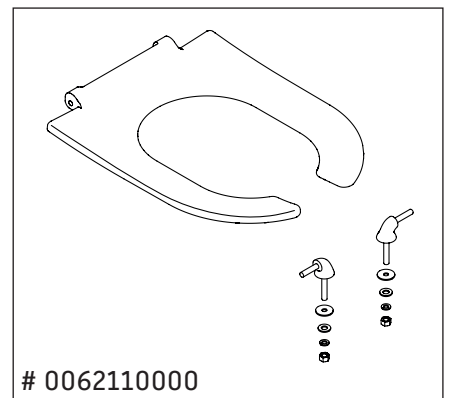
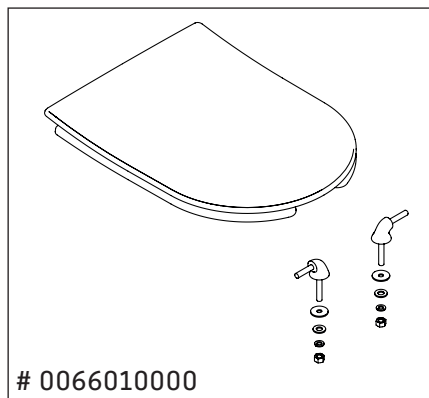
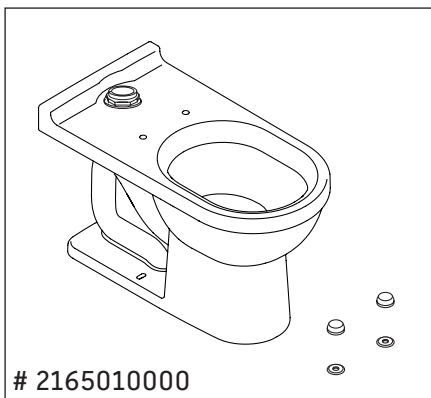
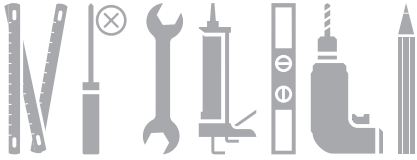
- > Make sure water is turned off before working on unit.

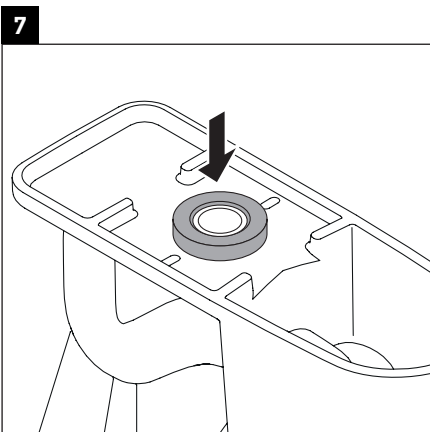
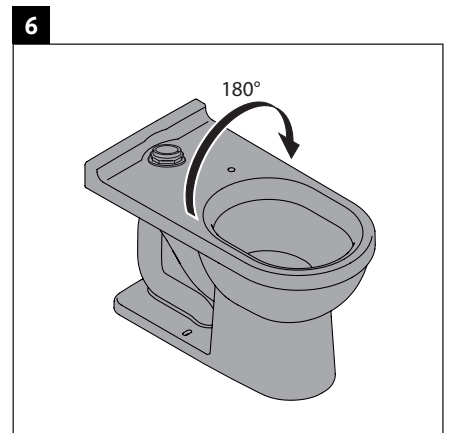
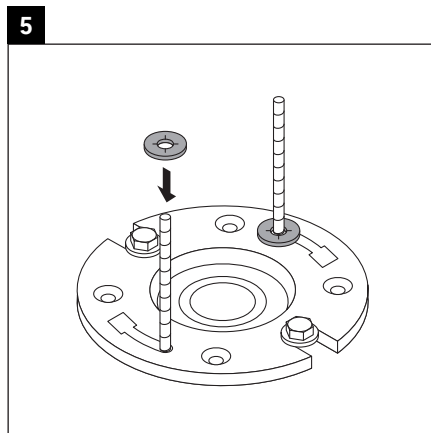
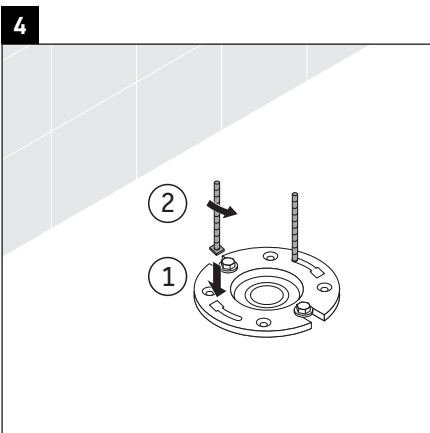
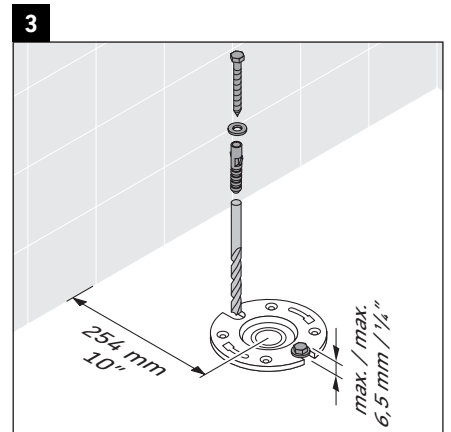
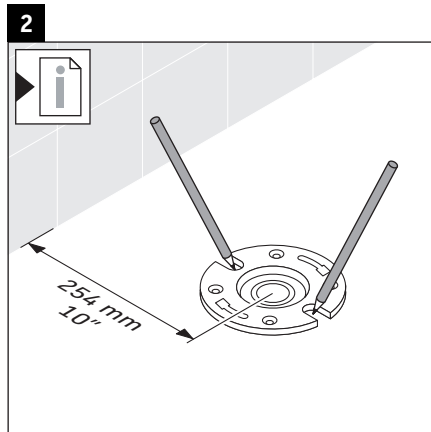
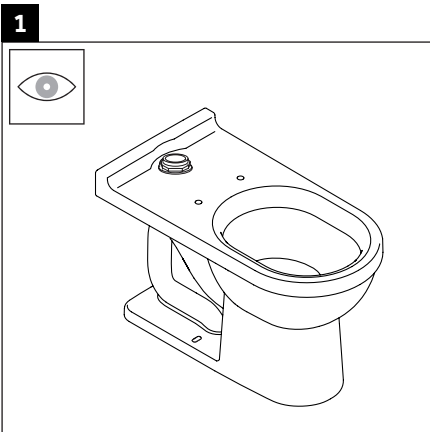
12 Install flush valve (Diagram 11)

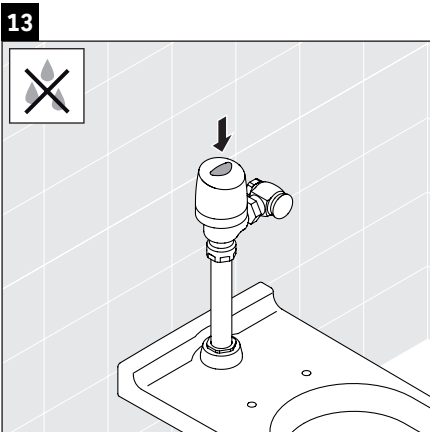
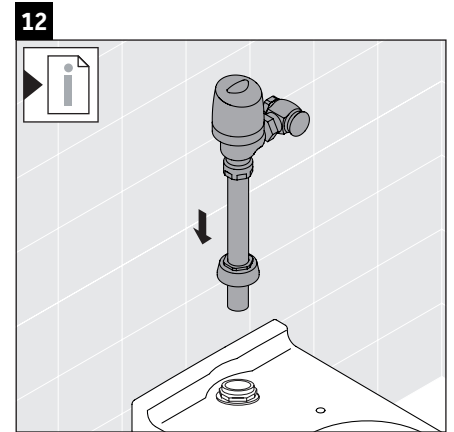
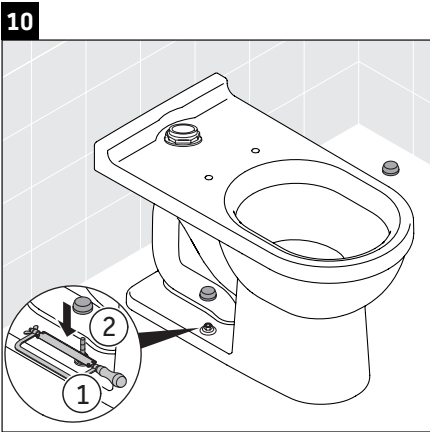
- > Install the flush valve according to the manufacturer's instructions.



2165010000







Duravit USA, Inc.
105 Madison Avenue
New York, NY 10016
Toll Free 888-DURAVIT
Phone 212 686 0033
Fax 212 686 8033
info@us.duravit.com
www.duravit.us

Duravit USA, Inc.
2205 Northmont Parkway
Suite 200
Duluth, GA 30096
Phone +1 770 931 3575
Fax +1 770 931 8454
info@us.duravit.com
www.duravit.us

