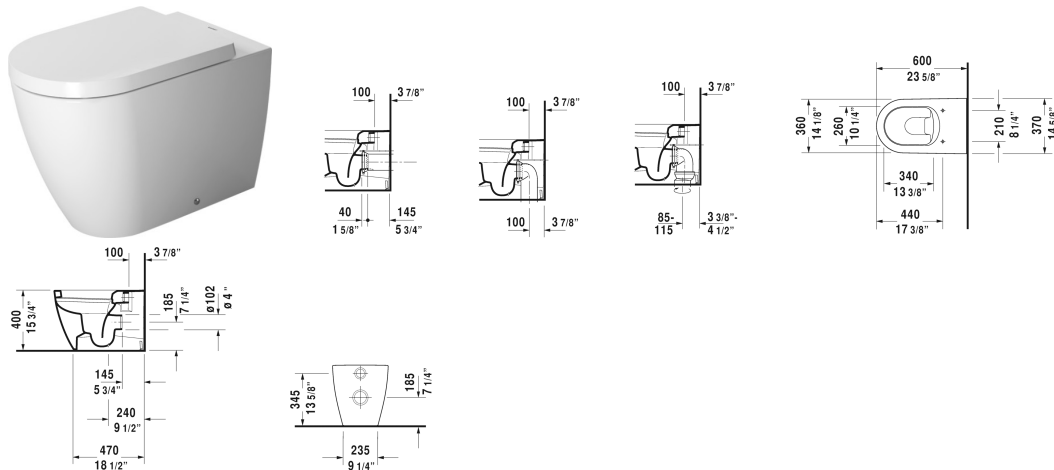


ME by Starck Toilet floor standing # 216909..92 / 216909..921

| < 14 5/8" Inch > |



Toilet floor standing	Dimension	Weight	Order number
back-to-wall, washdown model, hardware included, horizontal outlet, cUPC listed			
Colors			
00 White 20 HygieneGlaze (an antibacterial ceramic glaze that provides almost indefinite effectiveness)			
Variant			
♣ 1.6/0.8 gpf	14 5/8" x 23 5/8" Inch	63.9 lb	216909..92
♣ 1.6/0.8 gpf	14 5/8" x 23 5/8" Inch	63.9 lb	216909..921
Infobox			
In-wall tank & carrier and actuator plate required for installation / Refer to page XXX			
Sigma 01 flush plate, dual flush White	9 5/8" x 6 1/2" Inch		115770
Suitable products			
Toilet seat and cover hinges stainless steel, without slow close,			002001
Toilet seat and cover removable, hinges stainless steel, with slow close,			002009

All drawings contain the necessary measurements which are subject to standard tolerances. They are stated in inch & mm and are non-binding. Exact measurements, in particular for customized installation scenarios, can only be taken from the finished ceramic piece.