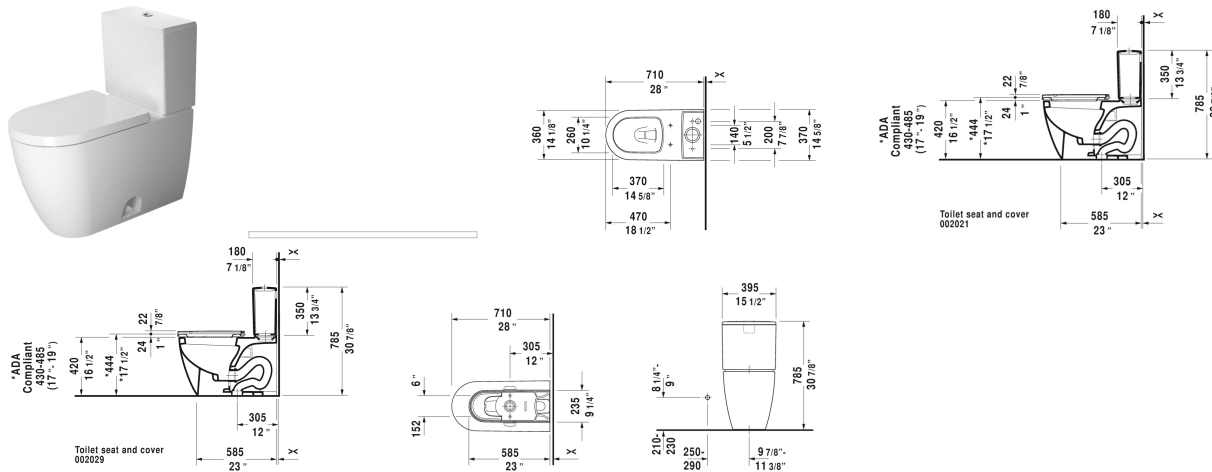


ME by Starck Two-Piece toilet # 217101..00 / 217101..85

< 14 1/8" Inch >



Two-Piece toilet	Dimension	Weight	Order number
(without tank), US-version toilet, syphonic, 12" rough-in, vertical outlet, cUPC listed			
Colors			
00 White 20 HygieneGlaze (an antibacterial ceramic glaze that provides almost indefinite effectiveness)			
Variant			
♣ 1.32/0.92 gpf	14 1/8" x 28" Inch	101.4 lb	217101..00
♣ 1.28 gpf	14 1/8" x 28" Inch	101.4 lb	217101..85
Mounting set for One-piece and Two-piece toilets, 1/2", US-version		1.1 lb	001417
Suitable products			
Tank for bottom left supply, cUPC listed, 15 3/8" x 7 1/8" Inch	15 3/8" x 7 1/8" Inch		093820
Toilet seat and cover elongated, hinges stainless steel, without slow close,			002021
Toilet seat and cover removable, elongated, hinges stainless steel, with slow close,			002029

All drawings contain the necessary measurements which are subject to standard tolerances. They are stated in inch & mm and are non-binding. Exact measurements, in particular for customized installation scenarios, can only be taken from the finished ceramic piece.