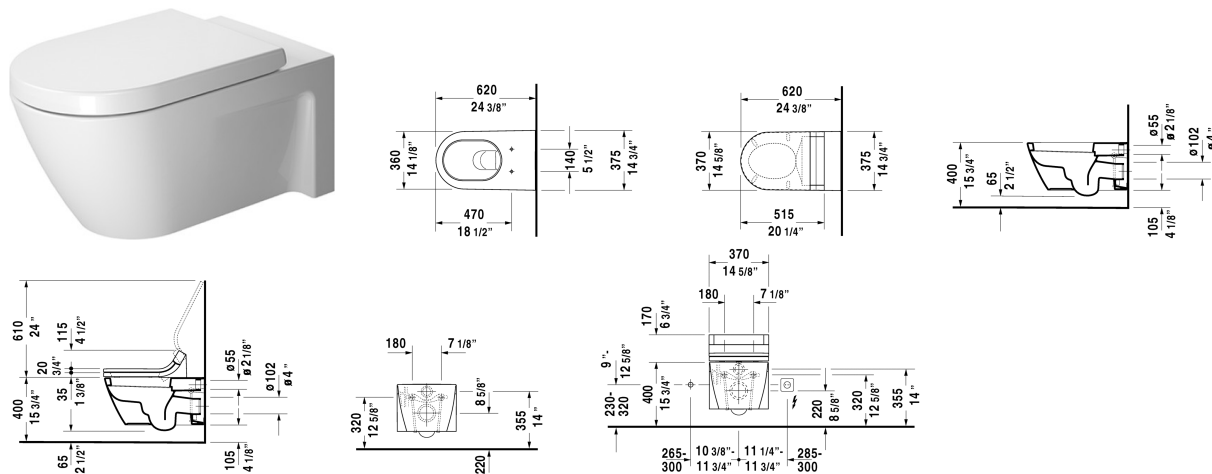


**Starck 2 Toilet wall-mounted # 2533090092 / 25330900921**

| < 14 1/8" Inch > |



Toilet wall-mounted	Dimension	Weight	Order number
washdown model, Durafix included, suitable for SensoWash Starck, cUPC listed			
<b>Colors</b>			
00 White			
<b>Variant</b>			
♣ 1.6/0.8 gpf	14 1/8" x 24 3/8" Inch	63.9 lb	2533090092
♣ 1.6/0.8 gpf	14 1/8" x 24 3/8" Inch	63.9 lb	25330900921
<b>Infobox</b>			
Durafix for concealed fixation is included, In-wall tank & carrier and actuator plate required for installation / Refer to page XXX			
Hardware for wall-mounted bidet and wall-mounted toilet	Ø 1/2" x 7 1/8" Inch	0.4 lb	006500
Noise reduction gasket for wall-mounted toilet		0.7 lb	005064
Geberit in-wall tank and carrier width 19 3/4", depth 5 1/2" height (adjustable) 43" - 47"	19 3/4" x 5 1/2" Inch	38 lb	111335
Sigma 01 flush plate, dual flush White	9 5/8" x 6 1/2" Inch		115770
<b>Suitable products</b>			

**Starck 2 Toilet wall-mounted # 2533090092 / 25330900921**

|< 14 1/8" Inch >|

<p>SensoWash Starck shower-toilet seat remote control included, power actuated lid and seat, rear-, front and oscillating wash, individual adjustment of water-, air- and seat surface temperature as well as nozzle position and jet strength, self-cleaning wand, 2 individually programmable user profiles, night light, Quick release: easy seat unit removal and attachment, on / off-button, cIAPMO®ELECTRICAL, 14 5/8" x 20 1/4" Inch</p>	<p>14 5/8" x 20 1/4" Inch</p>	<p>610000</p>
<p>Toilet seat and cover elongated, hinges stainless steel, without slow close,</p>		<p>006332</p>
<p>Toilet seat and cover elongated, hinges stainless steel, removable, with slow close,</p>		<p>006339</p>

*All drawings contain the necessary measurements which are subject to standard tolerances. They are stated in inch & mm and are non-binding. Exact measurements, in particular for customized installation scenarios, can only be taken from the finished ceramic piece.*