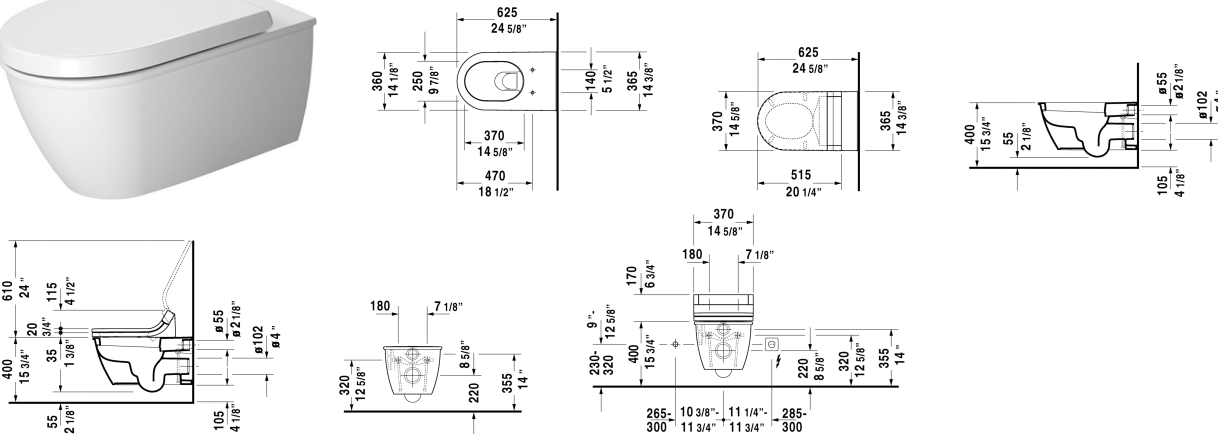


Darling New Toilet wall-mounted # 254409..92 / 254409..921

< 14 3/5" Inch >



| Toilet wall-mounted | Dimension | Weight | Order number |
|---|------------------------|---------|--------------|
| washdown model, Durafix included, suitable for SensoWash Starck, cUPC listed | | | |
| Colors | | | |
| 00 White 20 HygieneGlaze (an antibacterial ceramic glaze that provides almost indefinite effectiveness) | | | |
| Variant | | | |
| ♣ 1.6/0.8 gpf | 14 3/5" x 24 3/5" Inch | 60.4 lb | 254409..92 |
| ♣ 1.6/0.8 gpf | 14 3/5" x 24 3/5" Inch | 60.4 lb | 254409..921 |
| Infobox | | | |
| Durafix for concealed fixation is included, In-wall tank & carrier and actuator plate required for installation / Refer to page XXX | | | |
| Hardware for wall-mounted bidet and wall-mounted toilet | Ø 1/2" x 7 1/8" Inch | 0.4 lb | 006500 |
| Noise reduction gasket for wall-mounted toilet | | 0.7 lb | 005064 |
| Geberit in-wall tank and carrier width 19 3/4", depth 5 1/2" height (adjustable) 43" - 47" | 19 3/4" x 5 1/2" Inch | 38 lb | 111335 |
| Sigma 01 flush plate, dual flush White | 9 5/8" x 6 1/2" Inch | | 115770 |
| Suitable products | | | |

Darling New Toilet wall-mounted # 254409..92 / 254409..921

|< 14 3/5" Inch >|

| | | |
|--|-------------------------------|---------------|
| <p>SensoWash Starck shower-toilet seat remote control included, power actuated lid and seat, rear-, front and oscillating wash, individual adjustment of water-, air- and seat surface temperature as well as nozzle position and jet strength, self-cleaning wand, 2 individually programmable user profiles, night light, Quick release: easy seat unit removal and attachment, on / off-button, cIAPMO®ELECTRICAL, 14 5/8" x 20 1/4" Inch</p> | <p>14 5/8" x 20 1/4" Inch</p> | <p>610000</p> |
| <p>Toilet seat and cover elongated, hinges stainless steel, without slow close,</p> | | <p>006332</p> |
| <p>Toilet seat and cover elongated, hinges stainless steel, removable, with slow close,</p> | | <p>006339</p> |

All drawings contain the necessary measurements which are subject to standard tolerances. They are stated in inch & mm and are non-binding. Exact measurements, in particular for customized installation scenarios, can only be taken from the finished ceramic piece.