



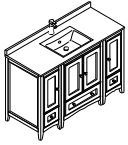
FVN20-122412

OXFORD

INSTALLATION GUIDE

CONTENTS:

Cabinet..... (FCB2024).....	PAGE 5 (STEP 4)
Sink..... (FVS2017).....	PAGE 5 (STEP 6)
Countertop..... (FCT2048WH-S).....	PAGE 6 (STEP 7)
Mirror..... (FMR2024).....	PAGE 3 (STEPS 1-5)



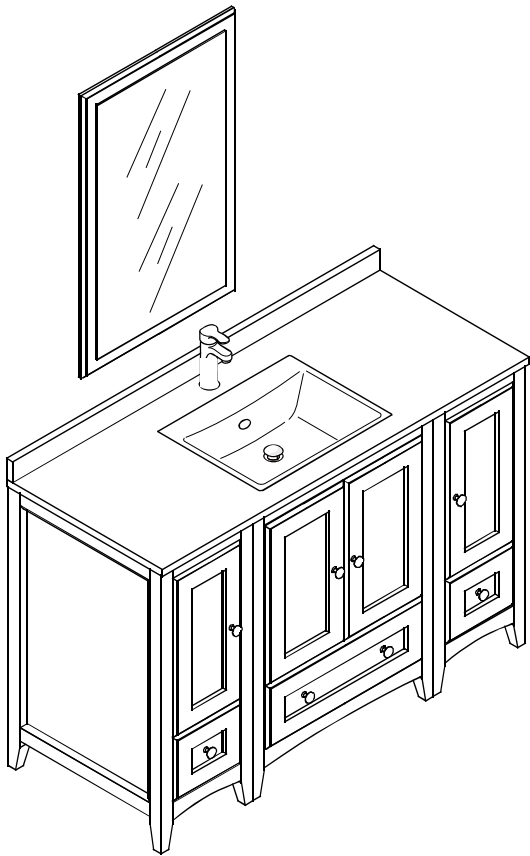
FVN20-122412

OXFORD

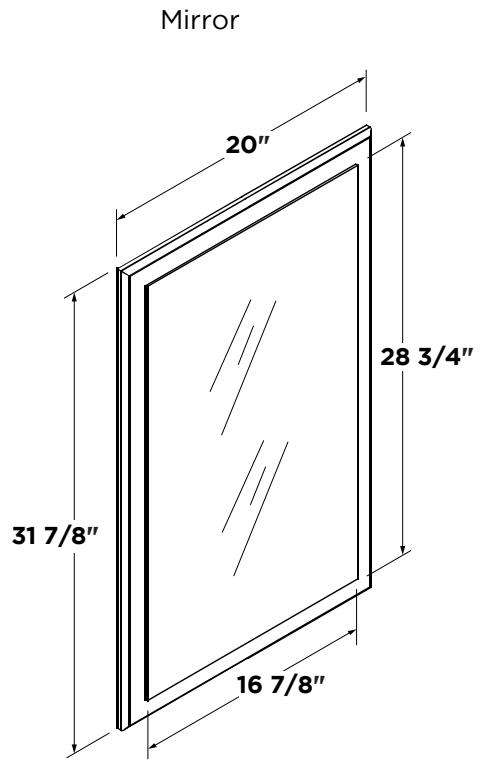
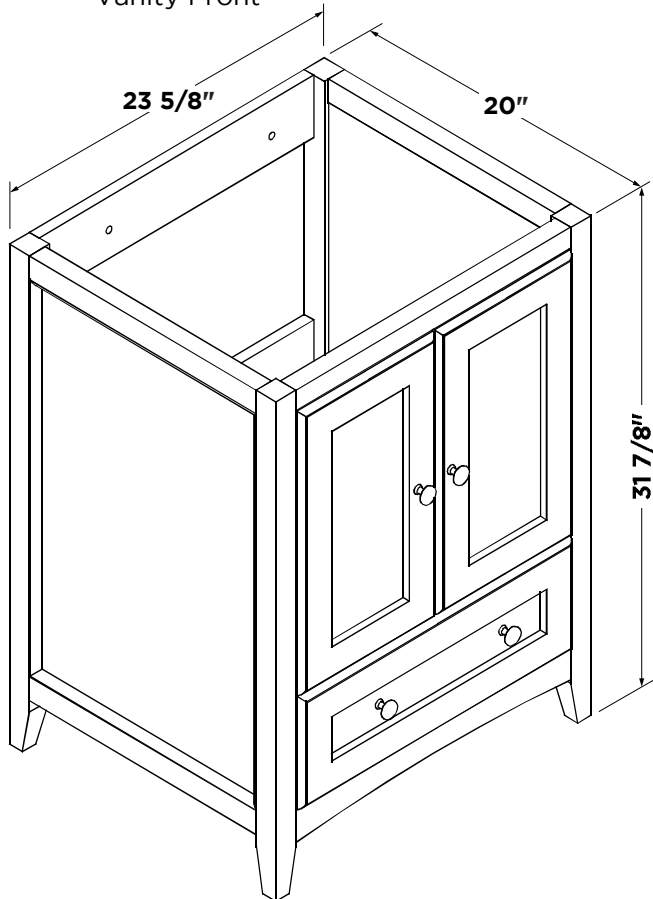
INSTALLATION GUIDE



FRESCA

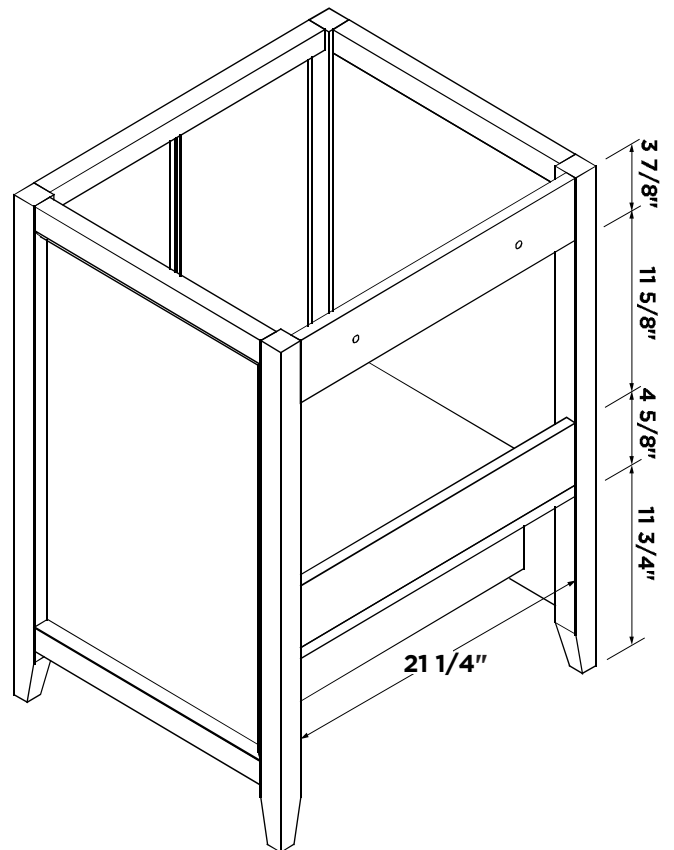


Vanity Front

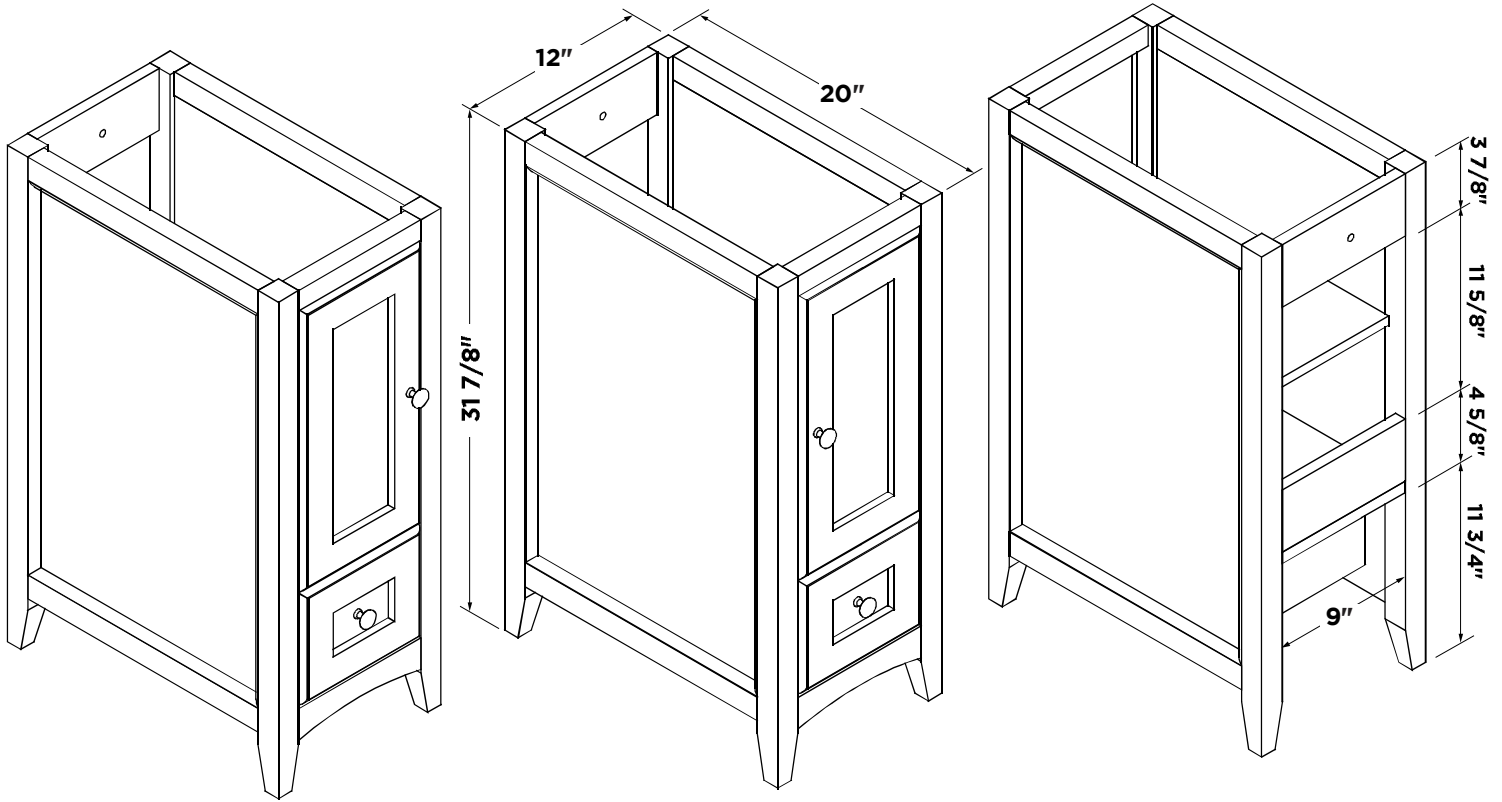


Mirror

Vanity Back



Side Cabinet 2pcs

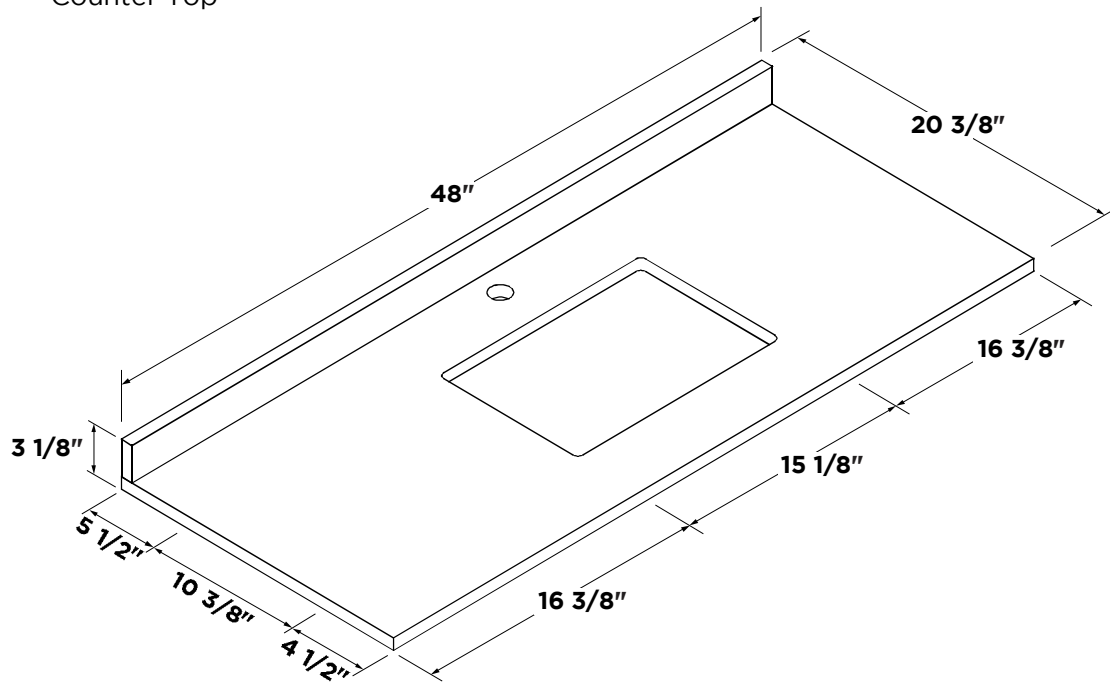


Right Side Cabinet

Left Side Cabinet

Side Cabinet Back

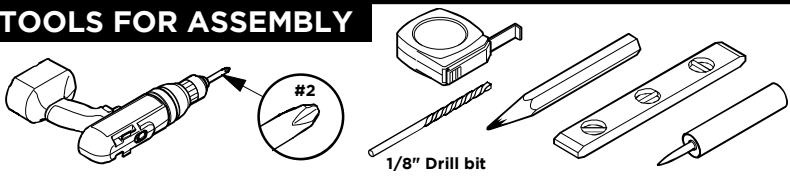
Counter Top



Note: All dimensions and specifications are approximate and subject to change without notice.

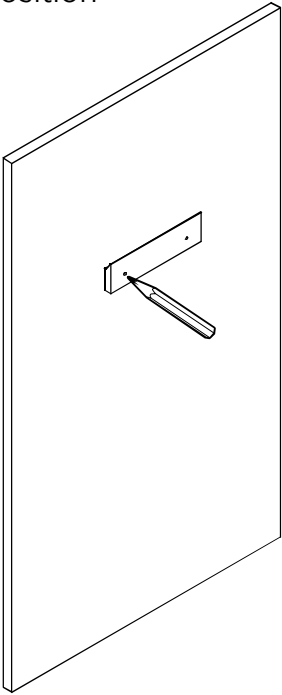


TOOLS FOR ASSEMBLY

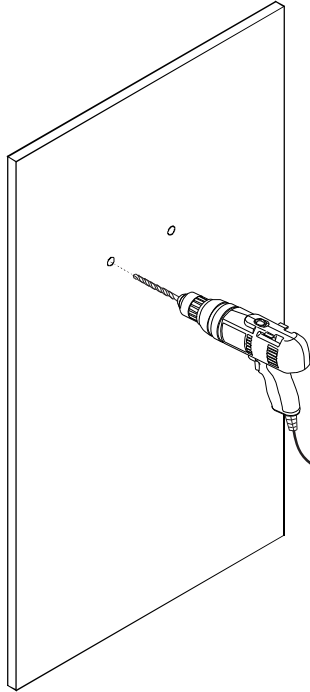


MIRROR INSTALLATION

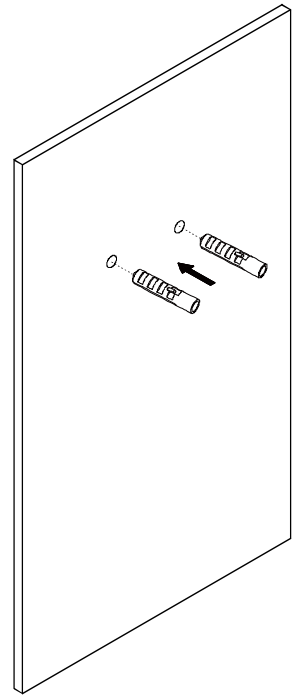
- 1** Level the mirror bracket and then mark the installation position



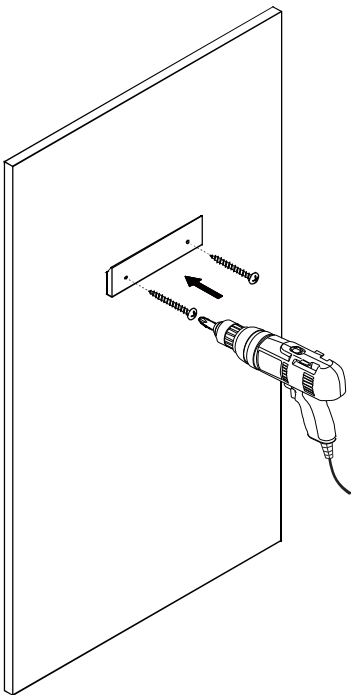
- 2** Drill the installation holes



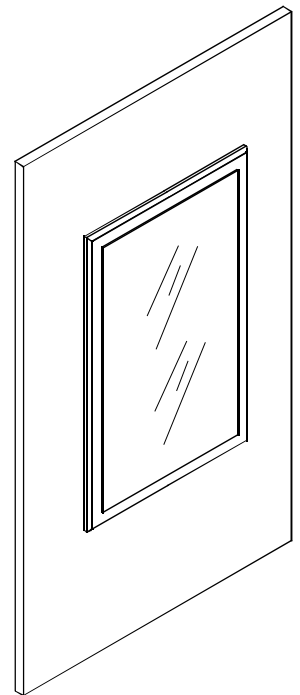
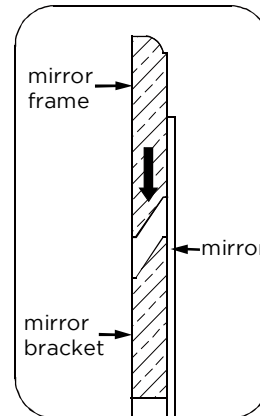
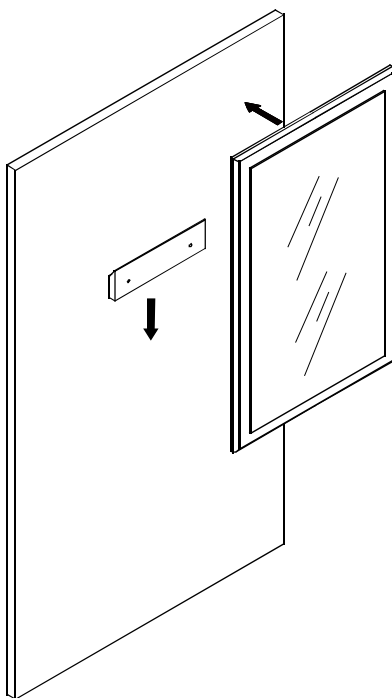
- 3** Insert the plastic plug



- 4** Fix the mirror bracket

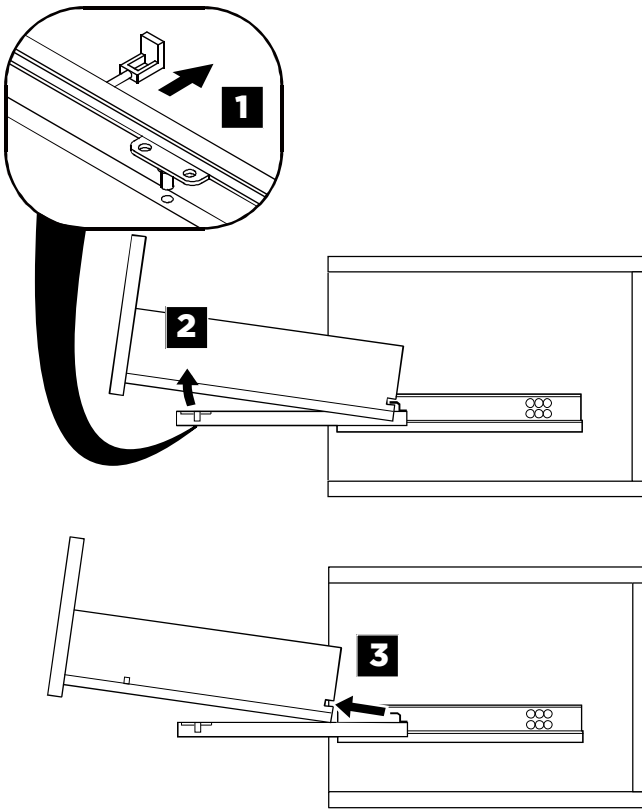


- 5** Hang up the mirror

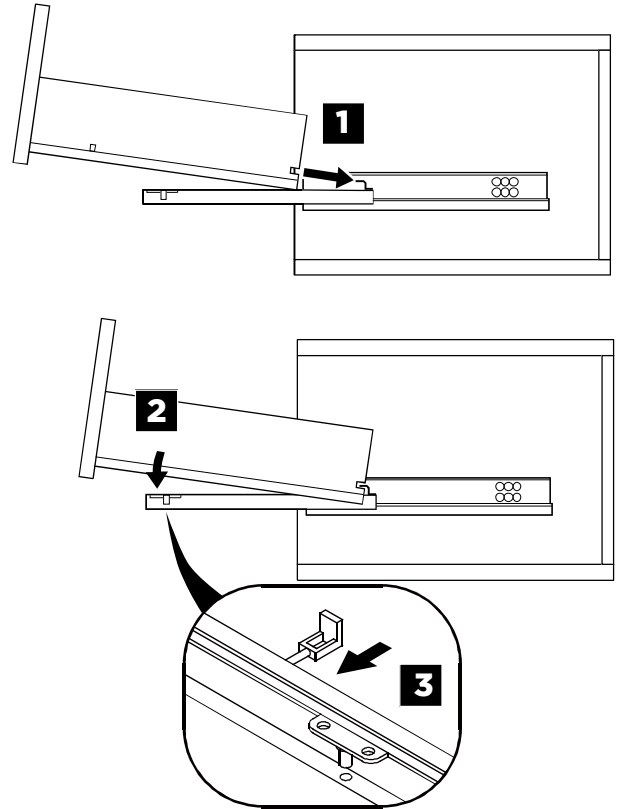


DRAWER REMOVAL & INSTALLATION

REMOVAL

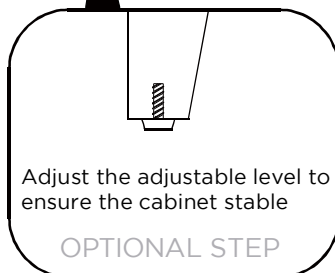
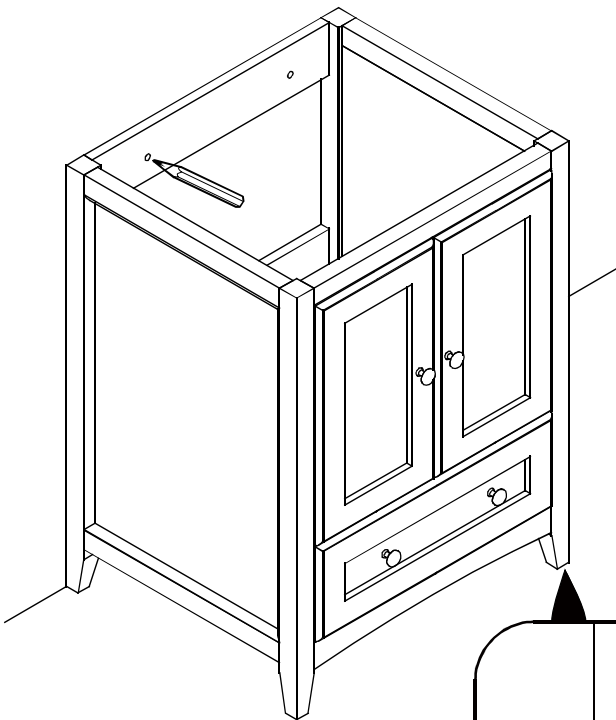


INSTALLATION



1

Level the cabinet and mark the installation position

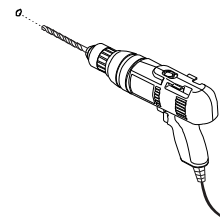


Adjust the adjustable level to ensure the cabinet stable

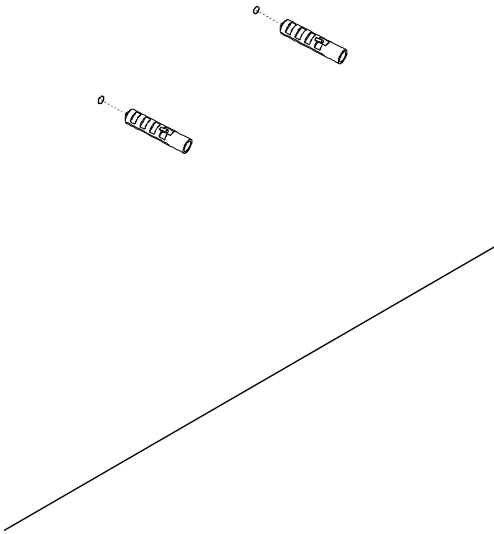
OPTIONAL STEP

2

Drill the installing holes

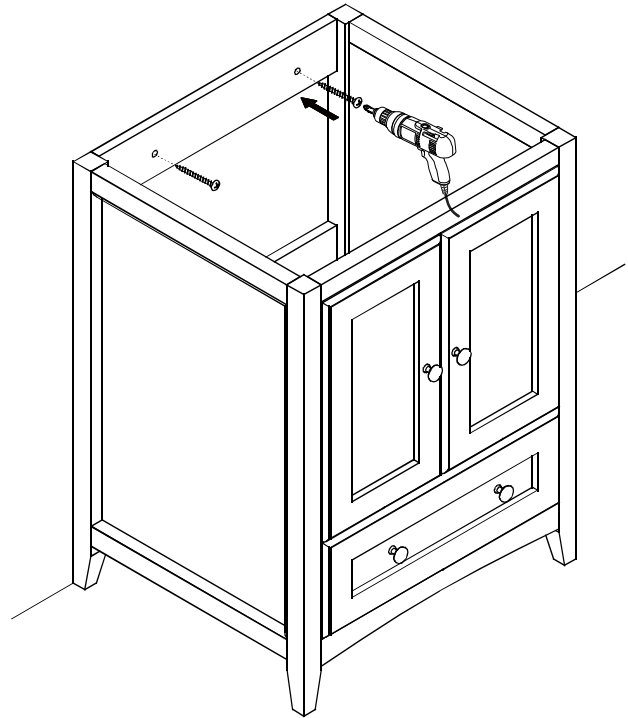


3 Insert the expansible plastic plugs

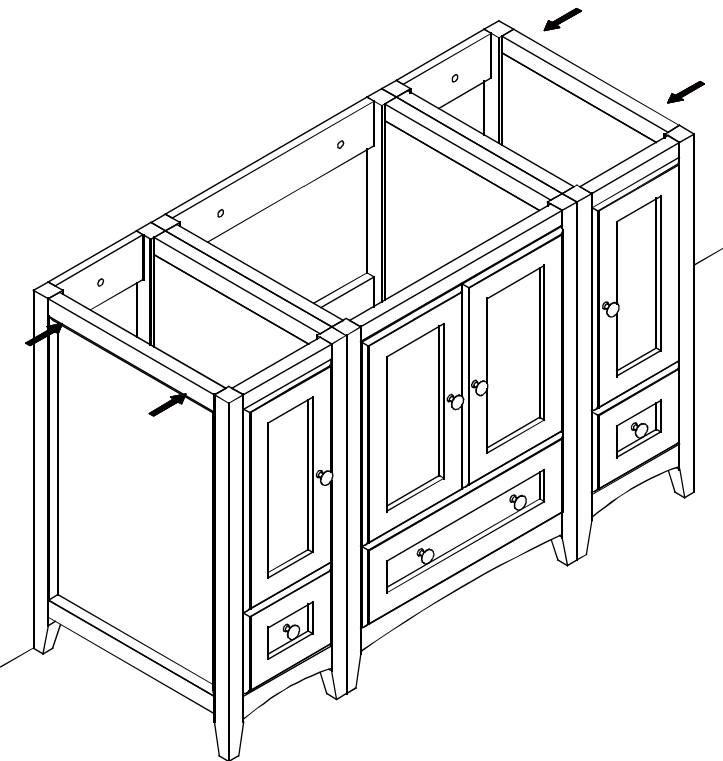


4 Install cabinet

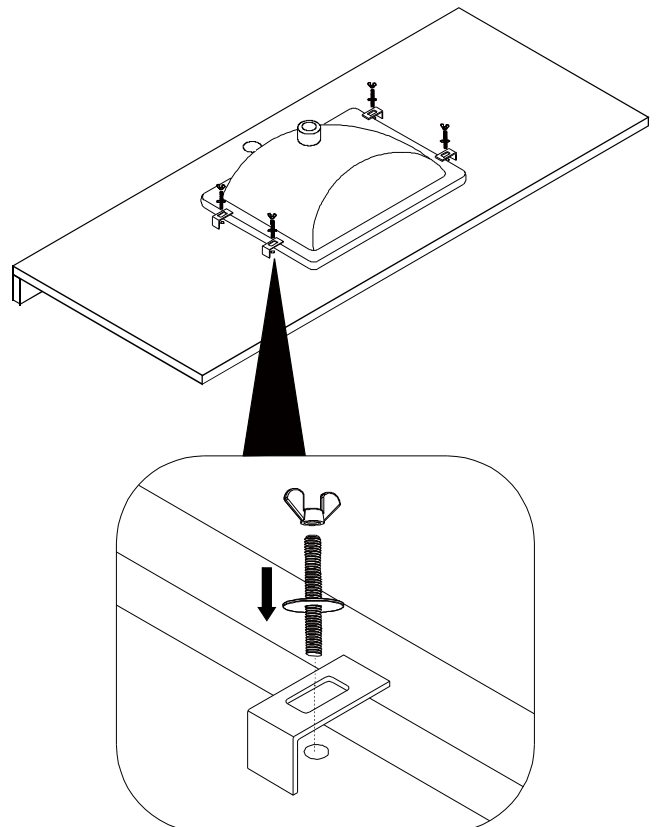
IMPORTANT: Consult an expert for the proper screws/bolts to use when attaching to various wall constructions. Screws provided do not attach to all wall construction types.

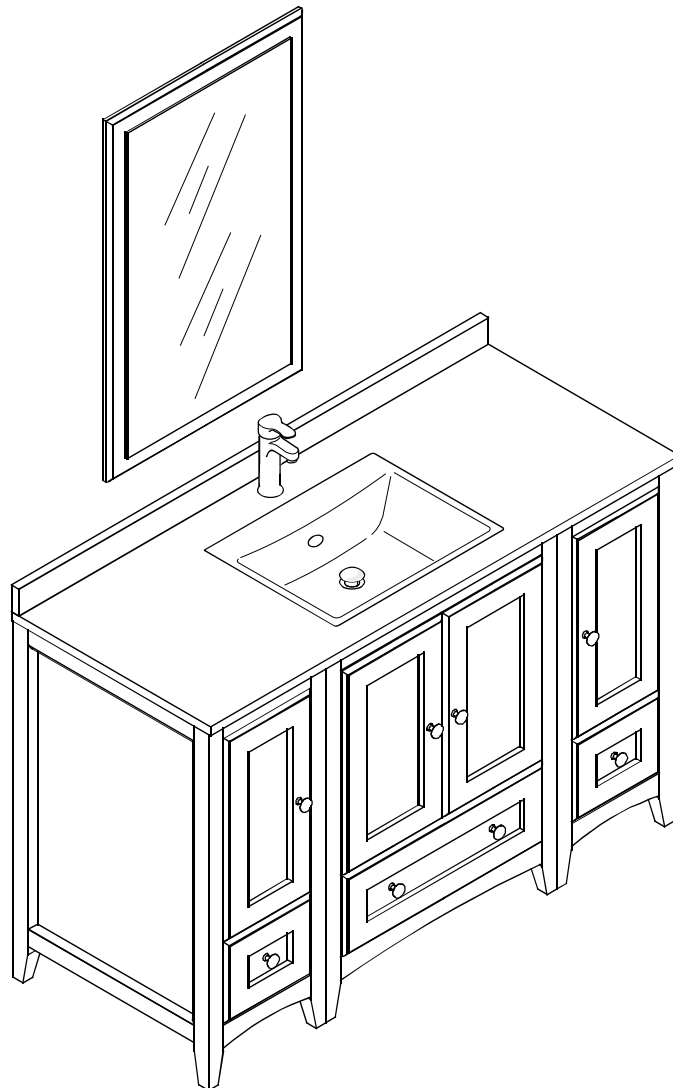
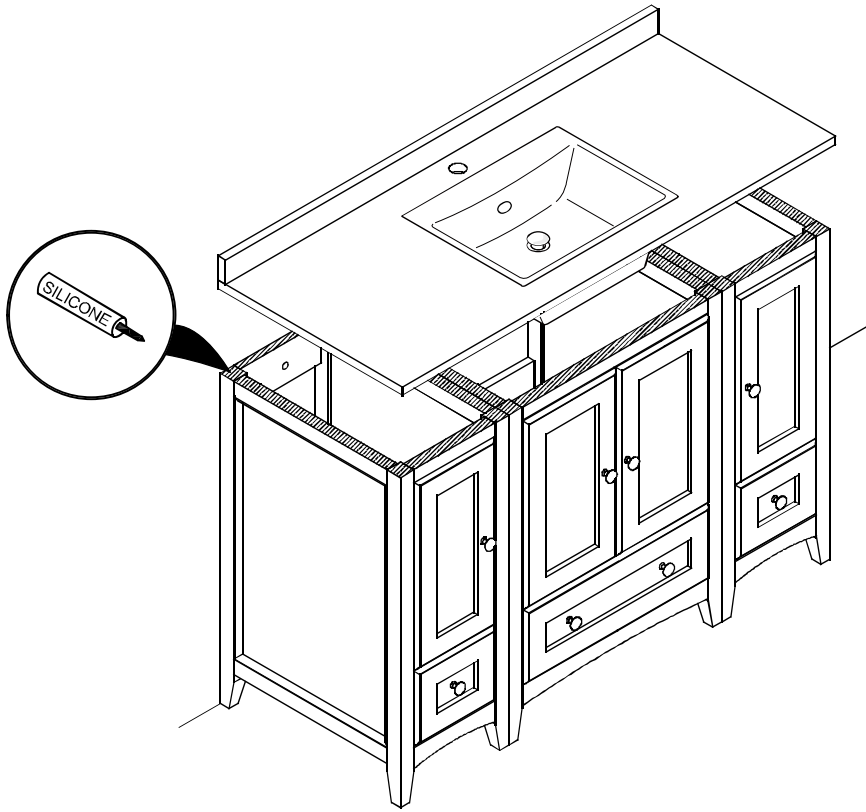


5 Align and level the side cabinet as below illustrated shown, then install side cabinets according to master cabinet installation procedure.



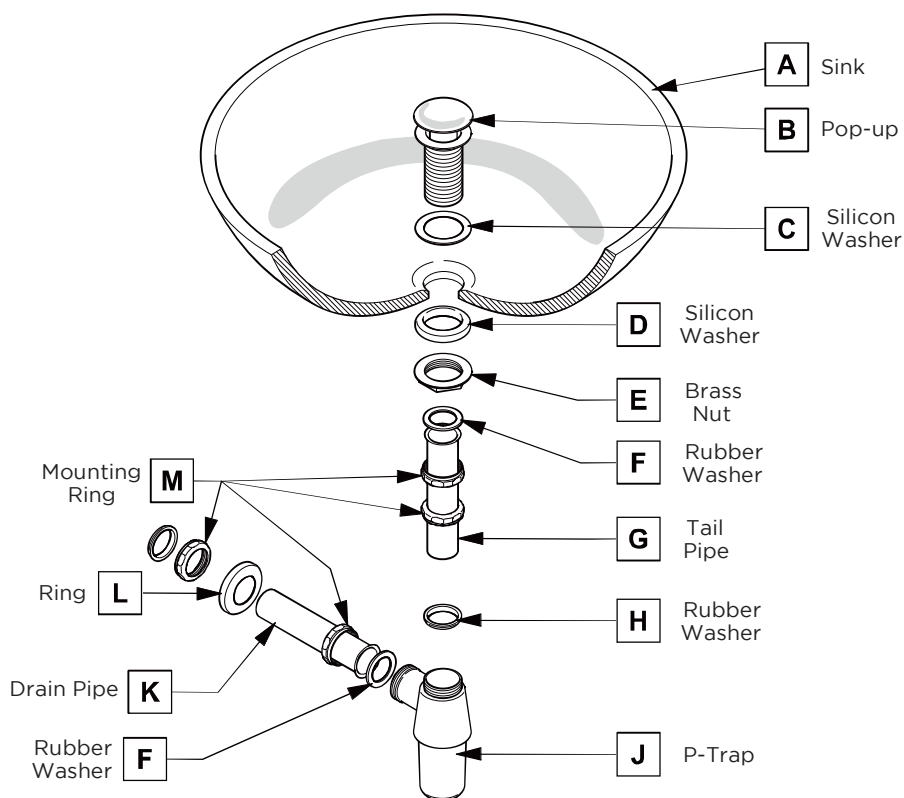
6 Install sink





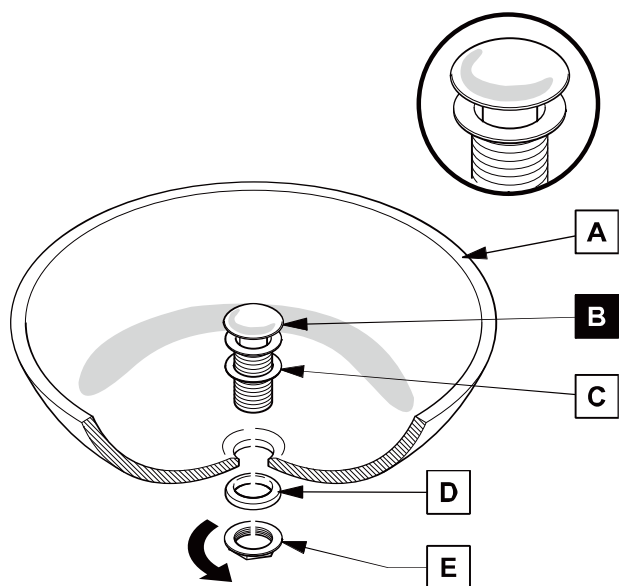
P-TRAP AND POP-UP INSTALLATION INSTRUCTIONS

Your item may appear slightly different from the illustration



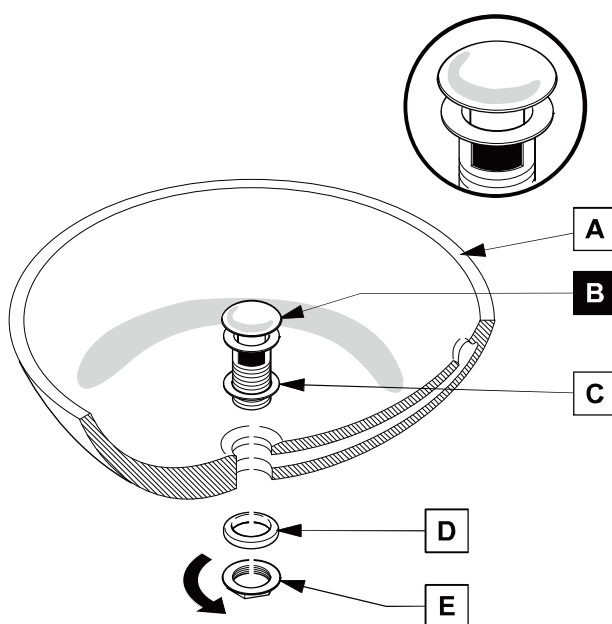
POP-UP INSTALLATION

FOR SINKS WITHOUT OVERFLOW



OR

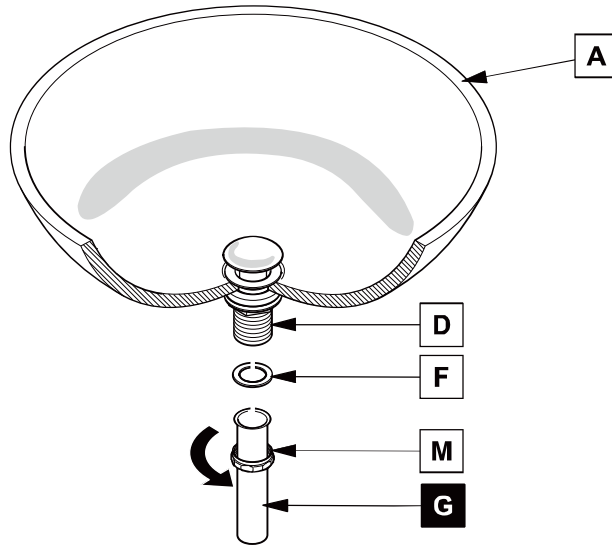
FOR SINKS WITH OVERFLOW



P-TRAP INSTALLATION

1

Install tail pipe (G)



2

Install p-trap (J)

