



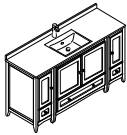
# FVN20-123612

# OXFORD

## **INSTALLATION GUIDE**

### CONTENTS:

Cabinet..... (FCB2036).....	PAGE 5 (STEP 4)
Sink..... (FVS2017).....	PAGE 5 (STEP 6)
Countertop..... (FCT2060WH-S).....	PAGE 6 (STEP 7)
Mirror..... (FMR2036).....	PAGE 3 (STEPS 1-5)



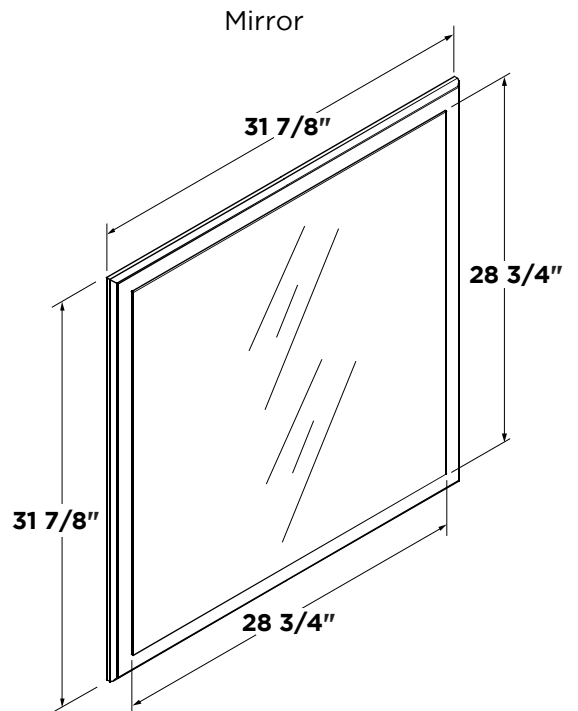
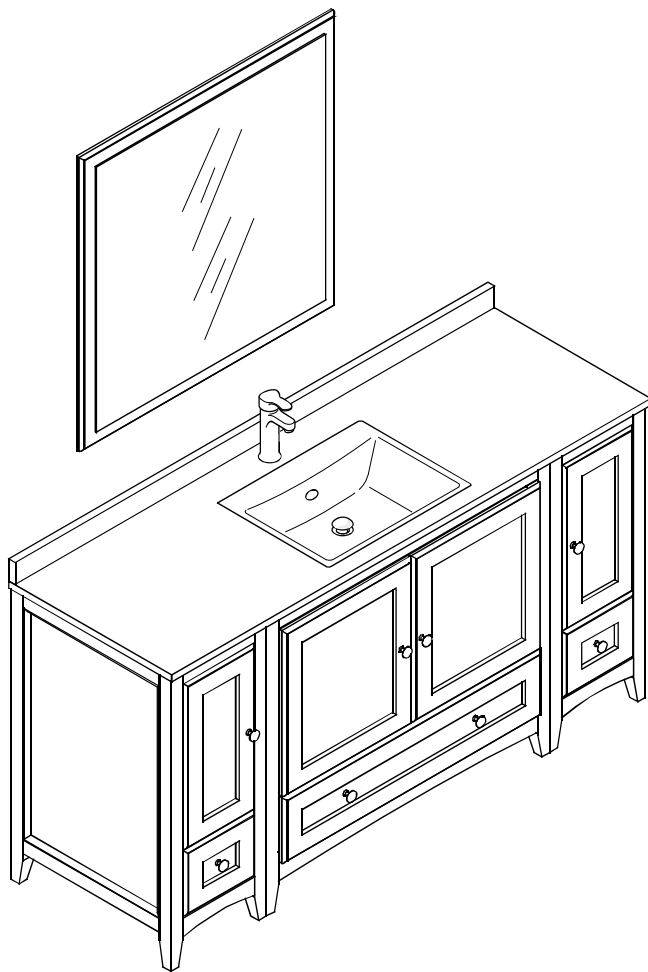
FVN20-123612

OXFORD

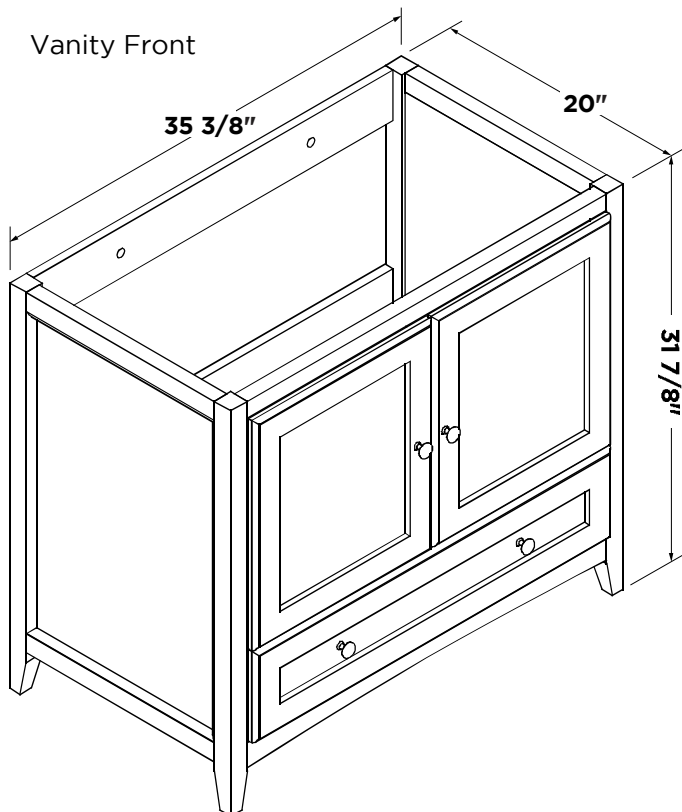
INSTALLATION GUIDE



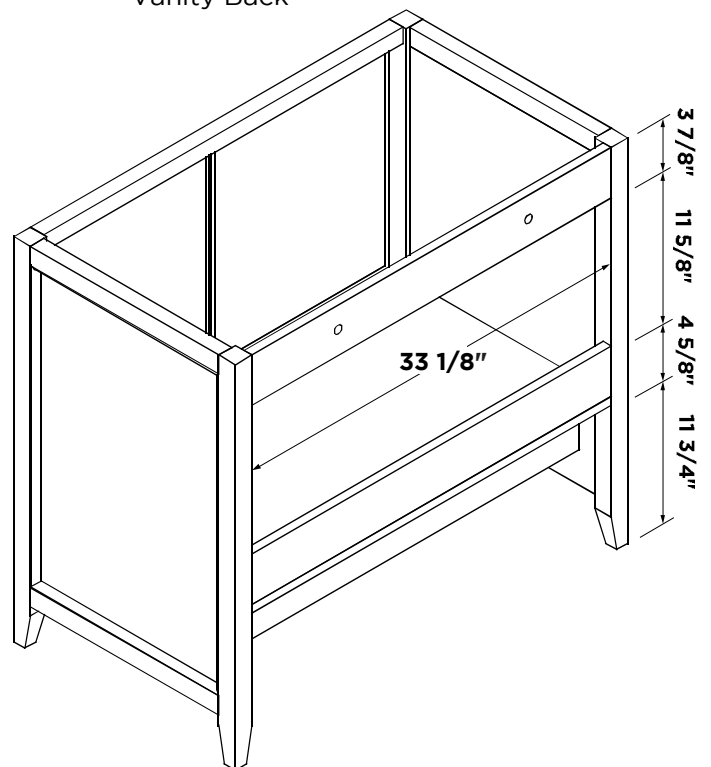
FRESCA



Vanity Front



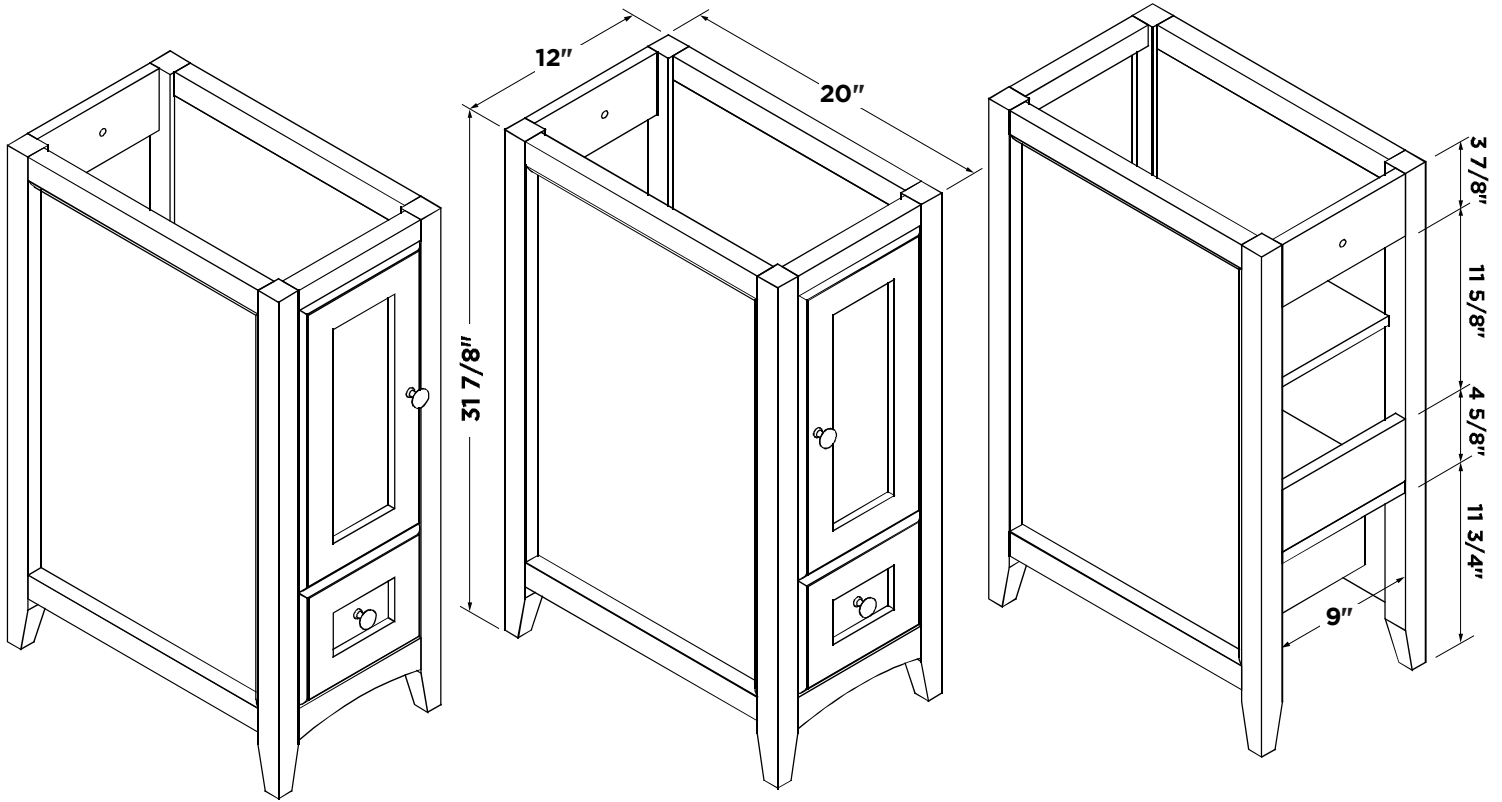
Vanity Back



OXFORD INSTALLATION GUIDE

PAGE 1

Side Cabinet 2pcs

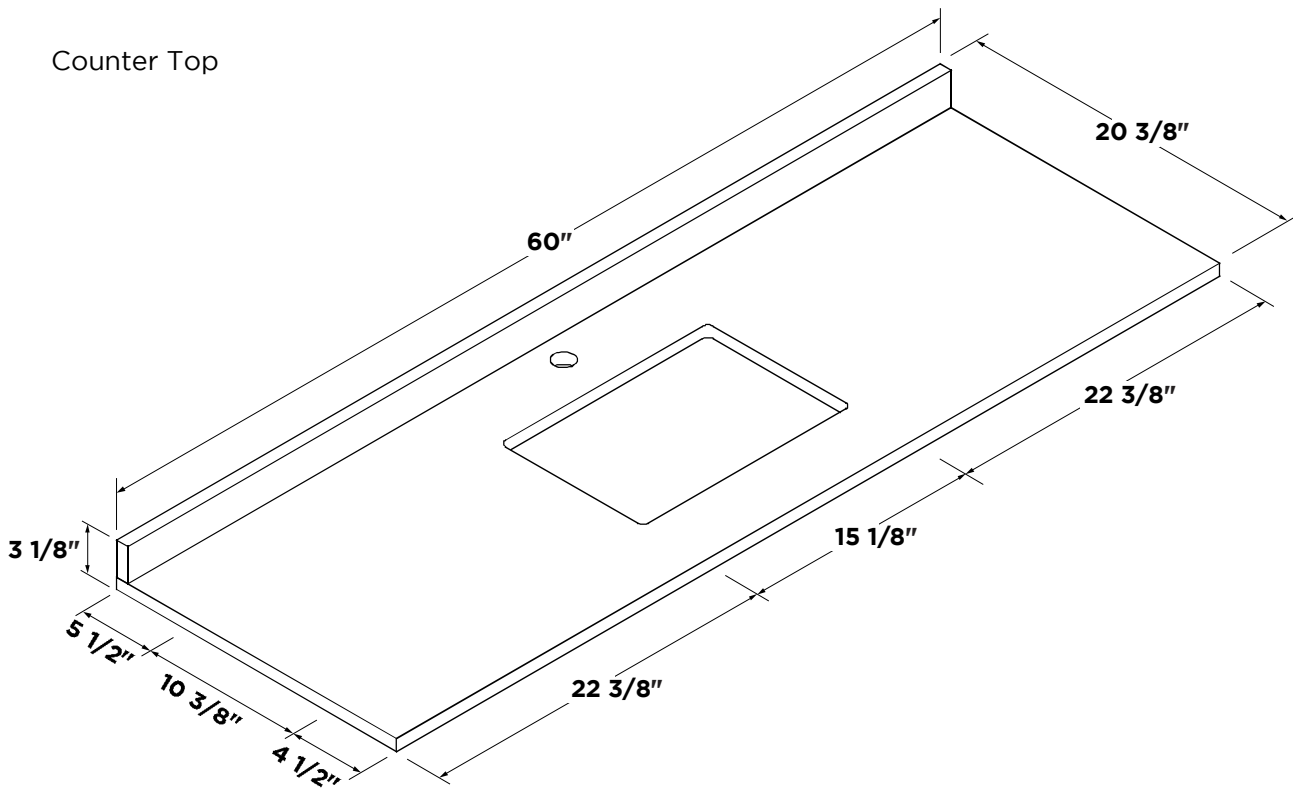


Right Side Cabinet

Left Side Cabinet

Side Cabinet Back

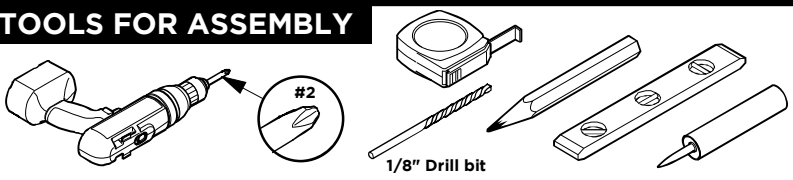
Counter Top



Note: All dimensions and specifications are approximate and subject to change without notice.

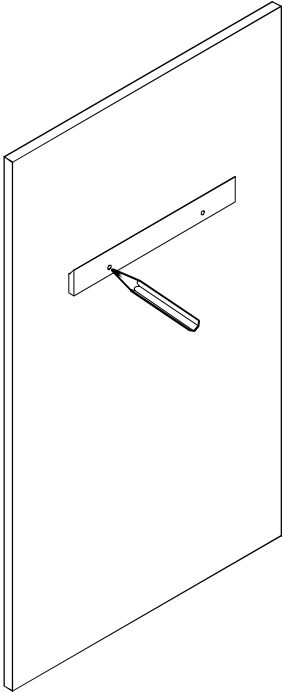


## TOOLS FOR ASSEMBLY

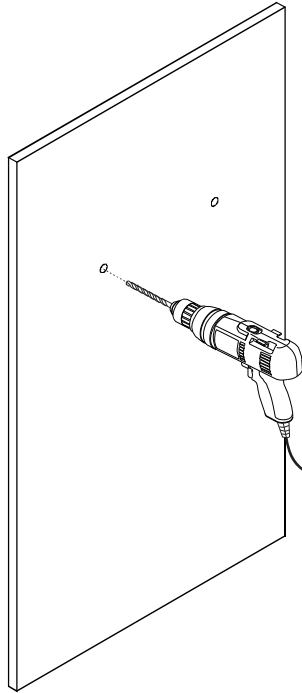


## MIRROR INSTALLATION

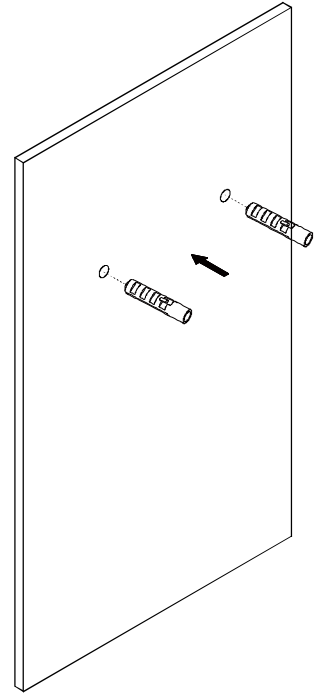
- 1** Level the mirror bracket and then mark the installation position



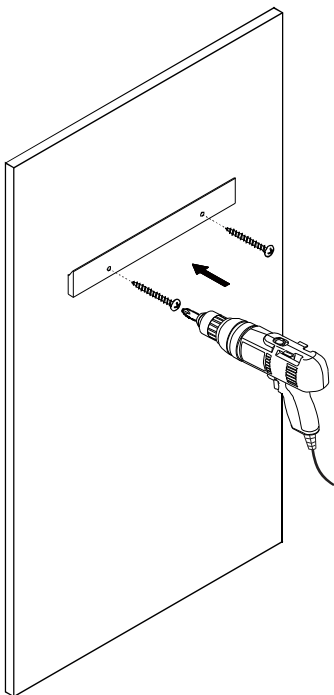
- 2** Drill the installation holes



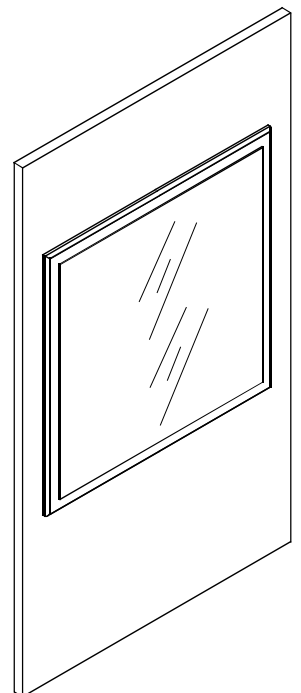
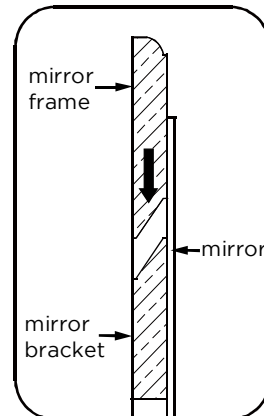
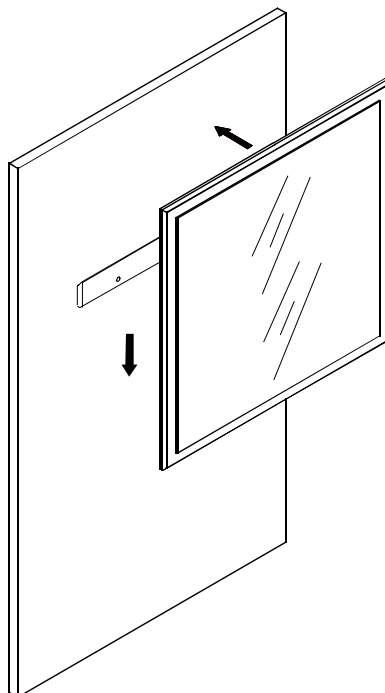
- 3** Insert the plastic plug



- 4** Fix the mirror bracket

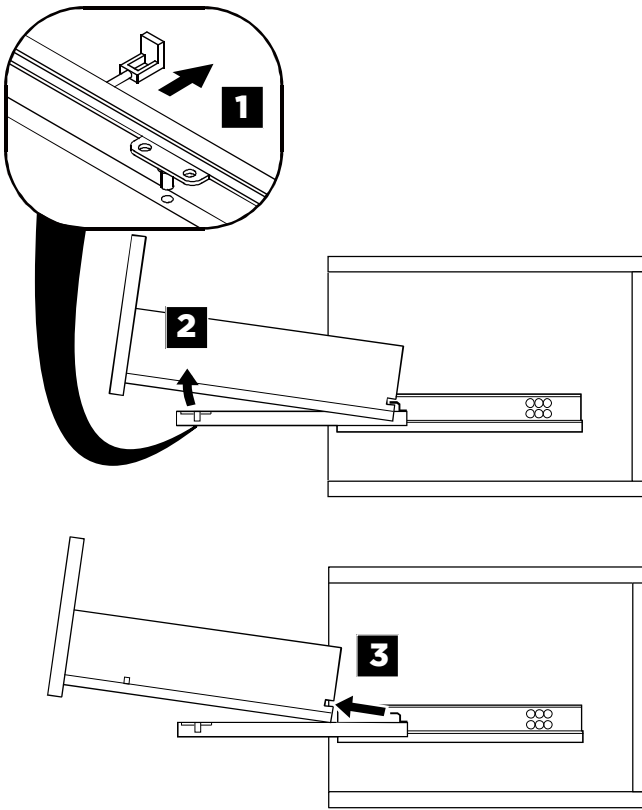


- 5** Hang up the mirror

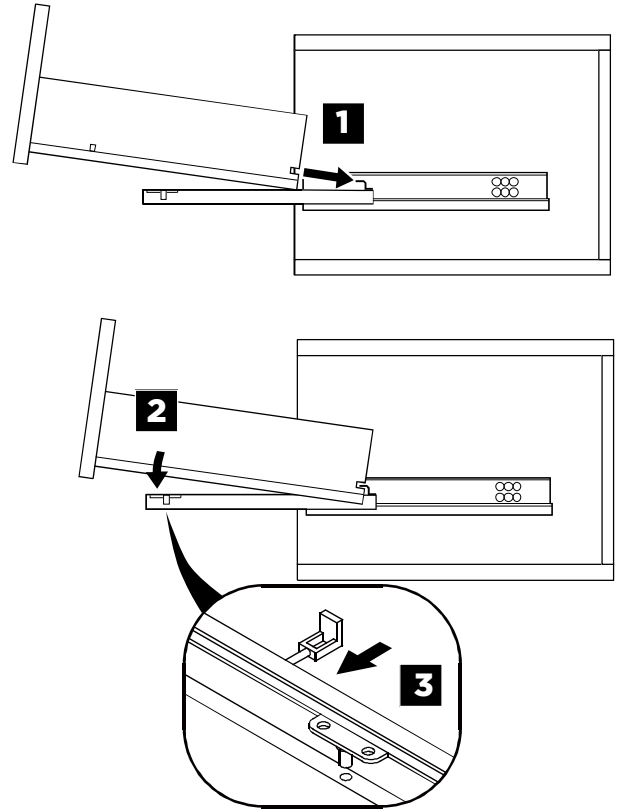


# DRAWER REMOVAL & INSTALLATION

## REMOVAL



## INSTALLATION

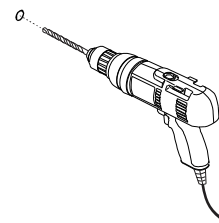
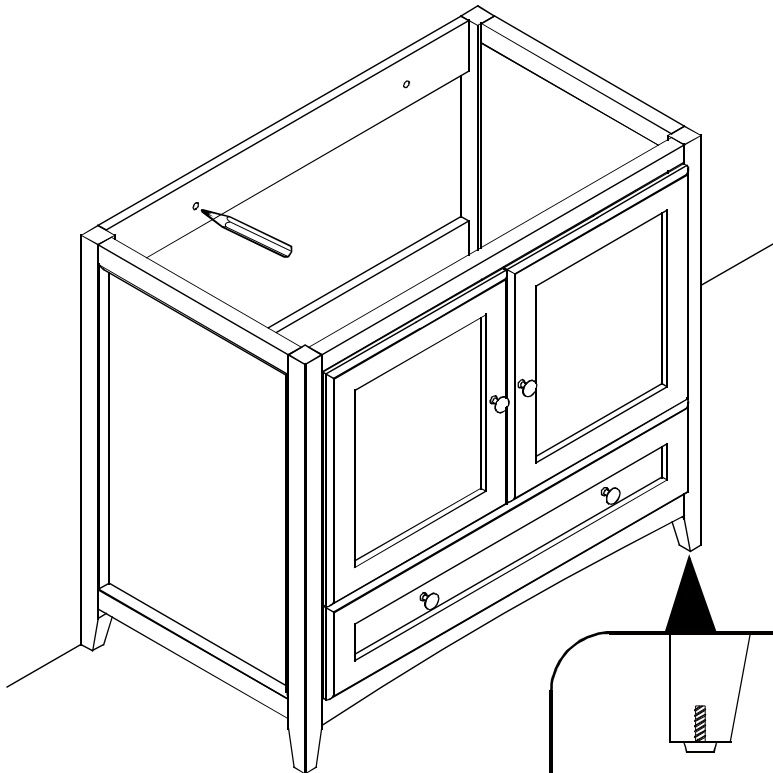


**1**

Level the cabinet and mark the installation position

**2**

Drill the installing holes

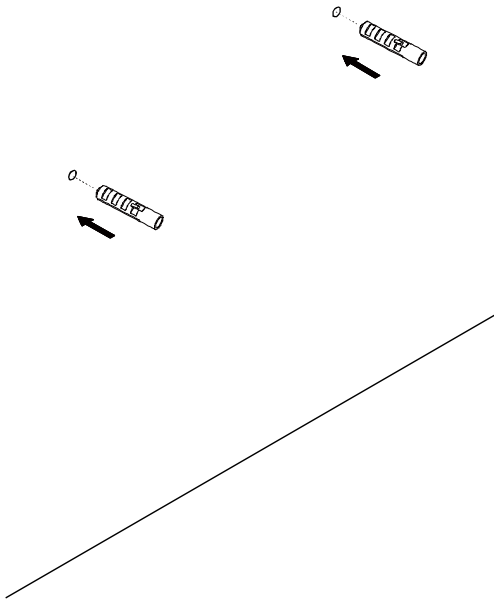


Adjust the adjustable level to ensure the cabinet stable

OPTIONAL STEP

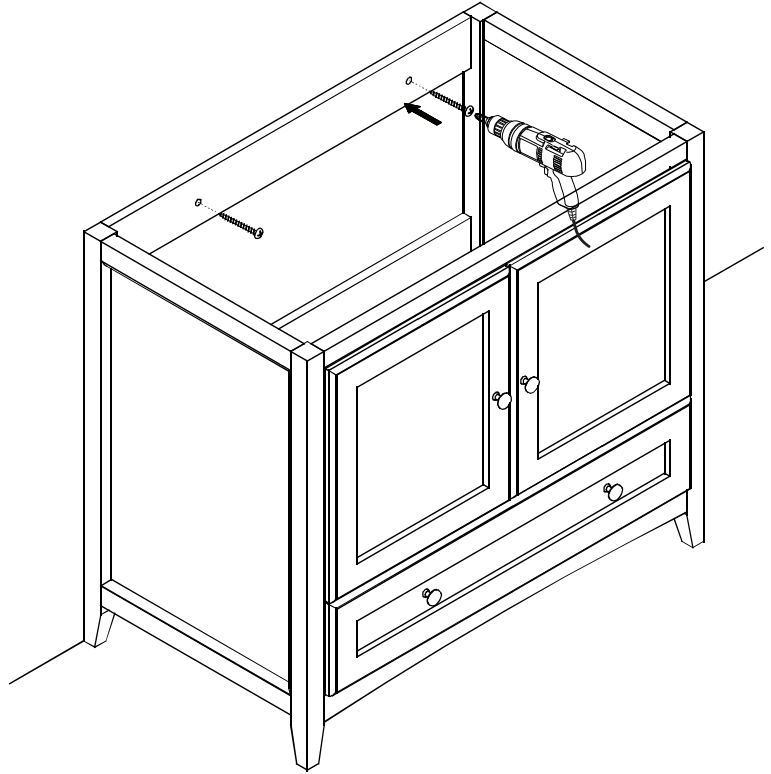


**3** Insert the expansible plastic plugs

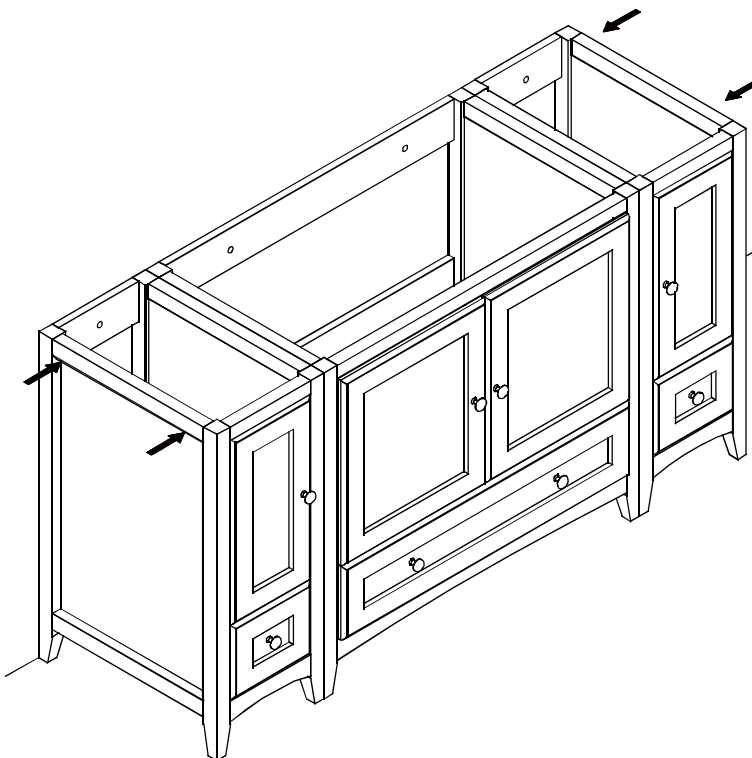


**4** Install cabinet

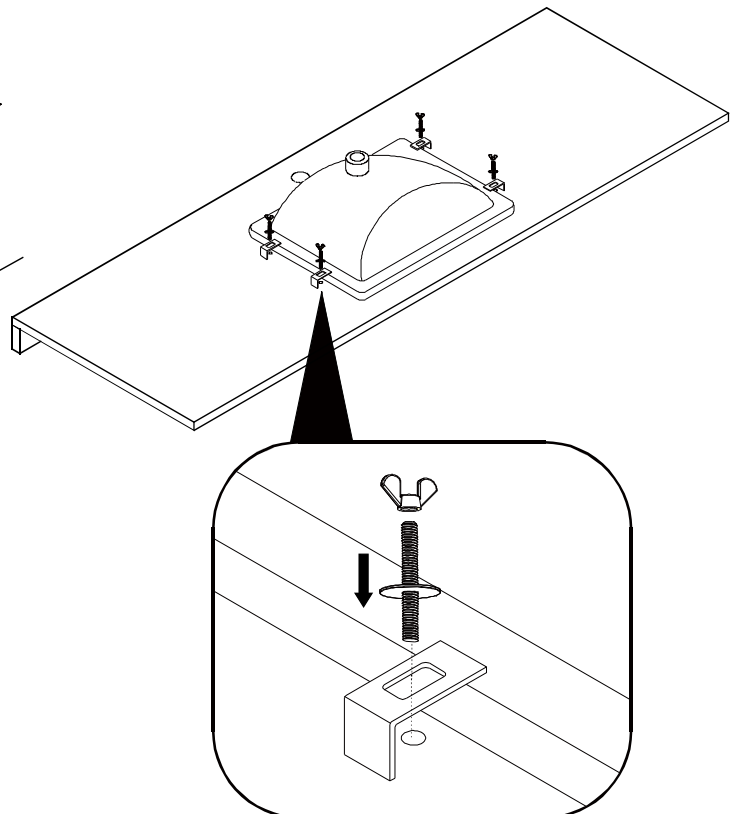
**IMPORTANT:** Consult an expert for the proper screws/bolts to use when attaching to various wall constructions. Screws provided do not attach to all wall construction types.

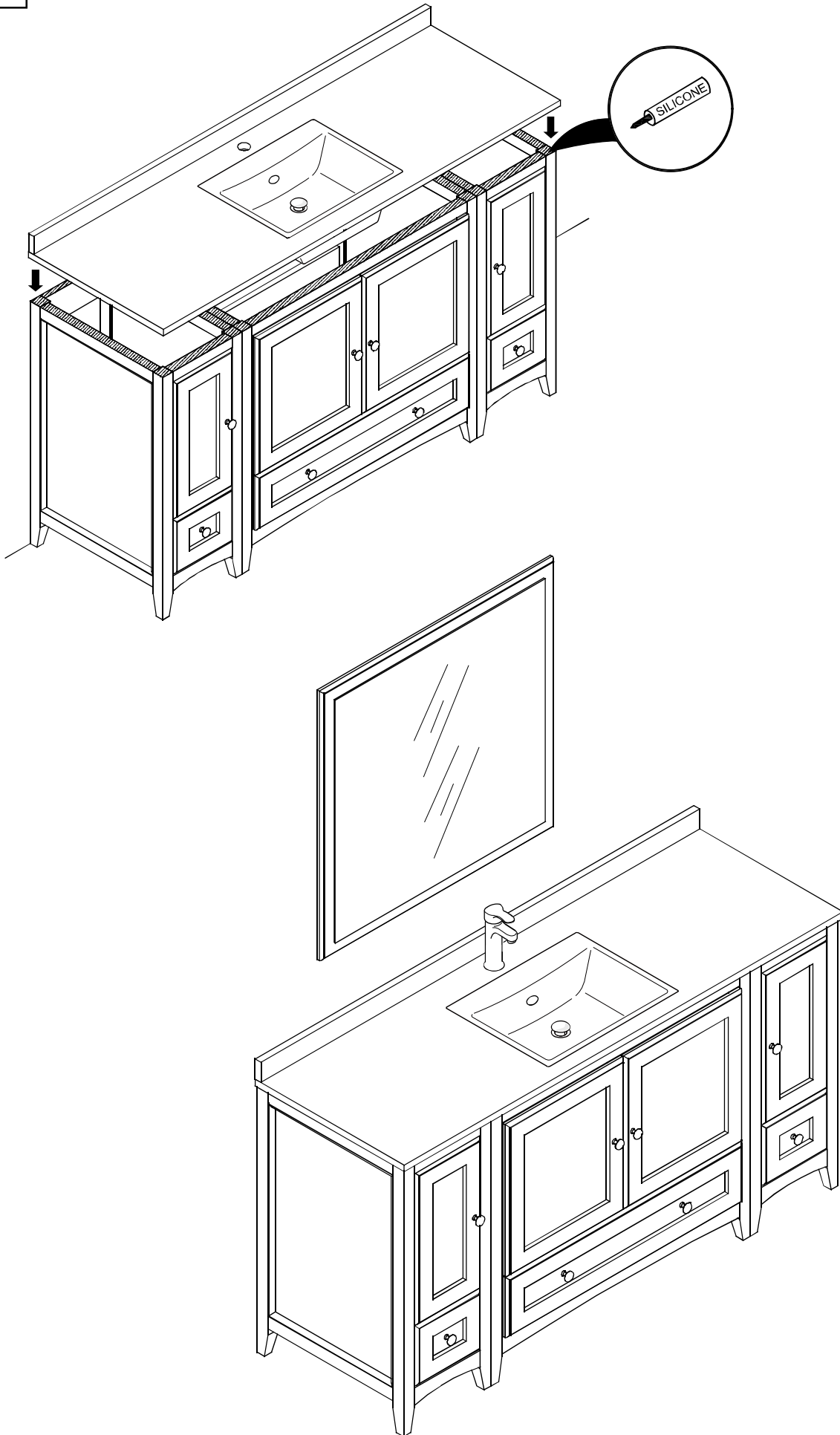


**5** Align and level the side cabinet as below illustrated shown, then install side cabinets according to master cabinet installation procedure.



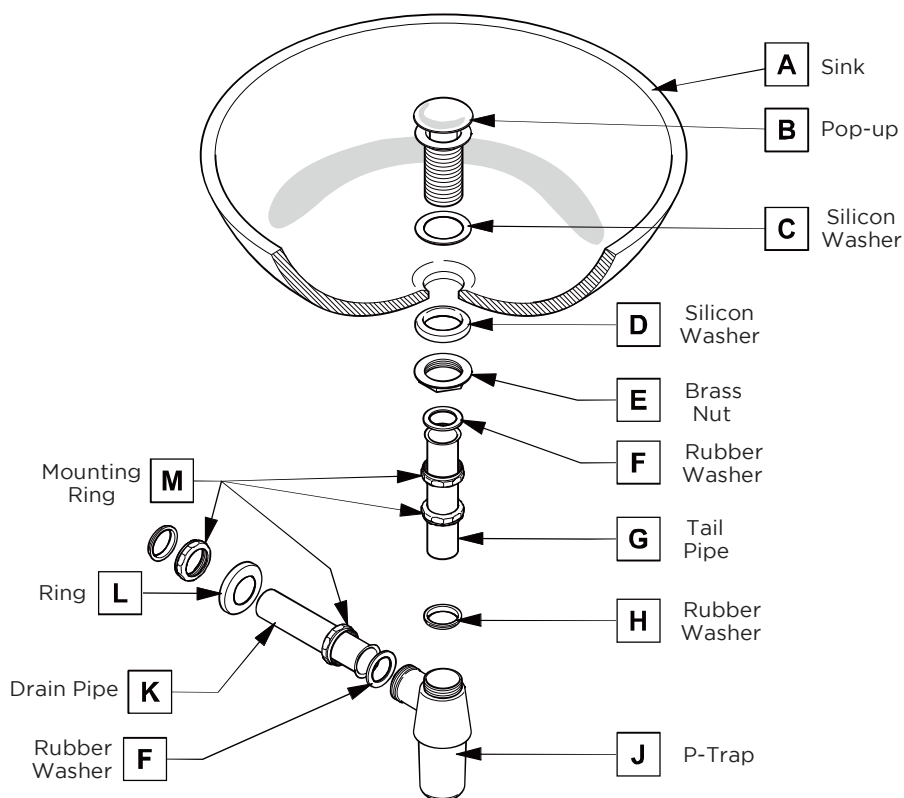
**6** Install sink





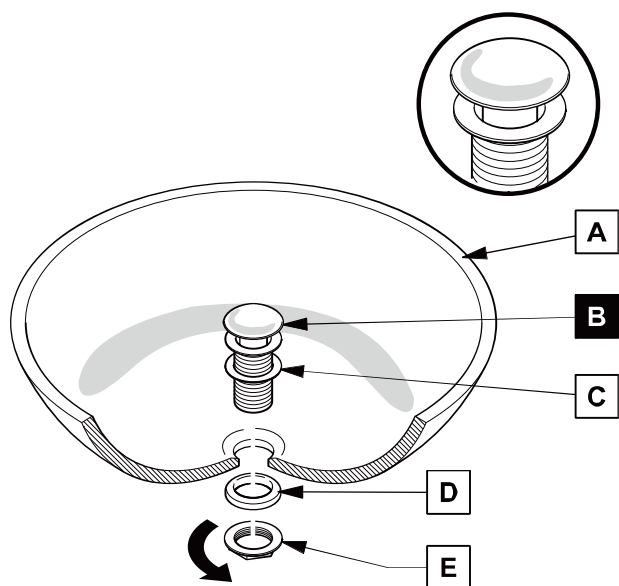
## P-TRAP AND POP-UP INSTALLATION INSTRUCTIONS

Your item may appear slightly different from the illustration



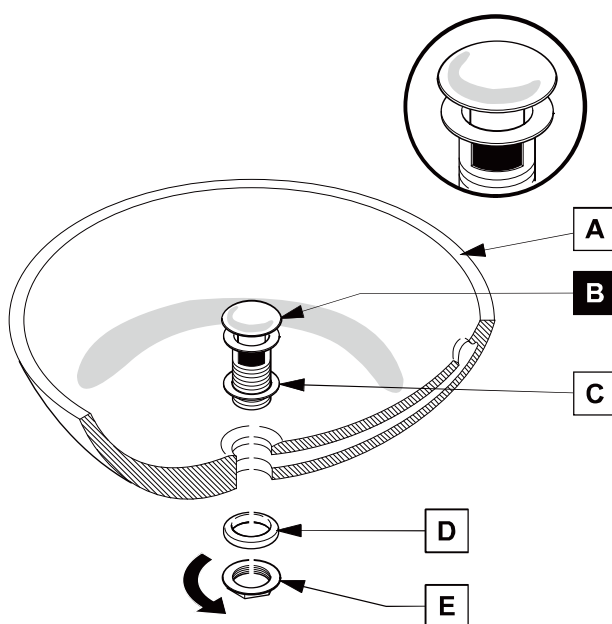
### POP-UP INSTALLATION

#### FOR SINKS WITHOUT OVERFLOW



OR

#### FOR SINKS WITH OVERFLOW

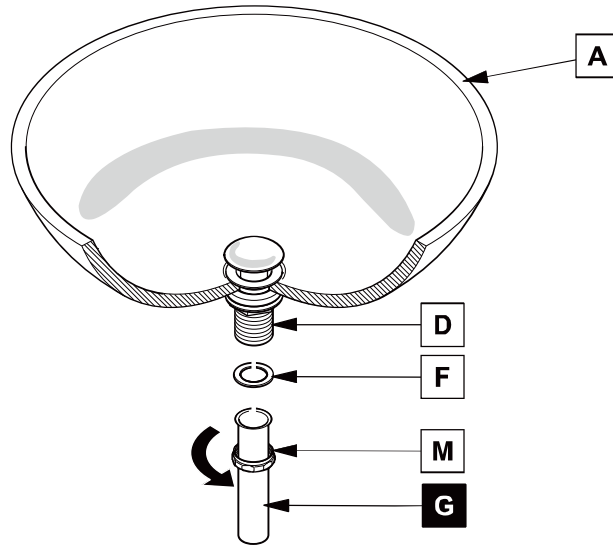




# P-TRAP INSTALLATION

1

Install tail pipe (G)



2

Install p-trap (J)

