



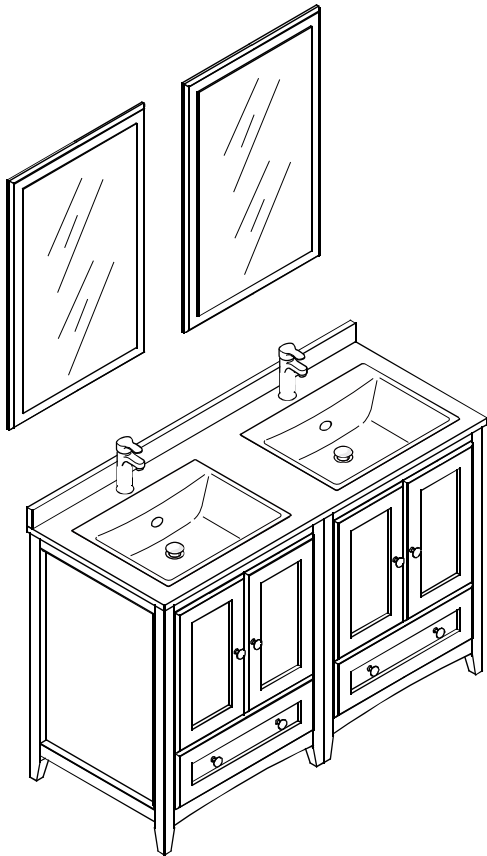
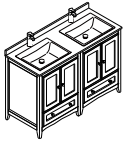
# FVN20-2424

# OXFORD

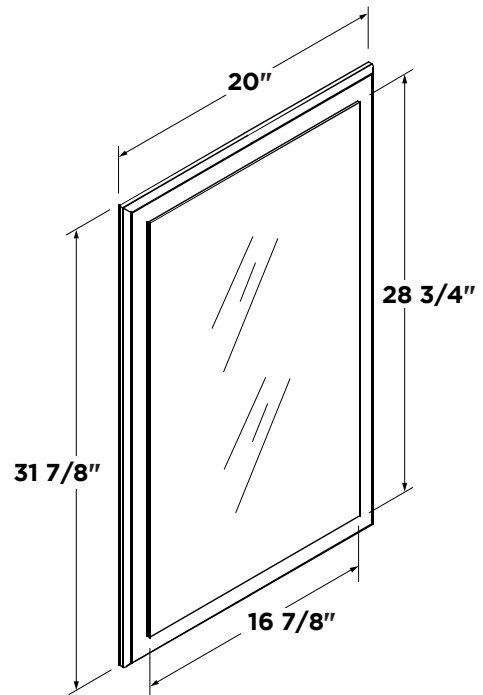
## INSTALLATION GUIDE

### CONTENTS:

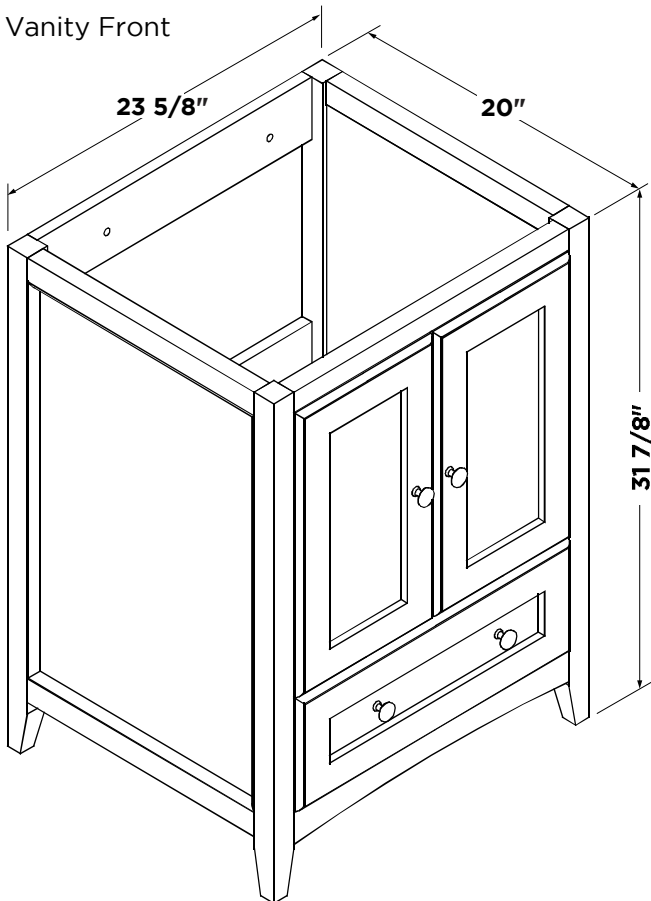
Cabinet..... (FCB2024).....	PAGE 4 (STEP 4)
Sink..... (FVS2017).....	PAGE 5 (STEP 6)
Countertop..... (FCT2048WH-D).....	PAGE 5 (STEP 7)
Mirror..... (FMR2024).....	PAGE 2-3 (STEPS 1-5)



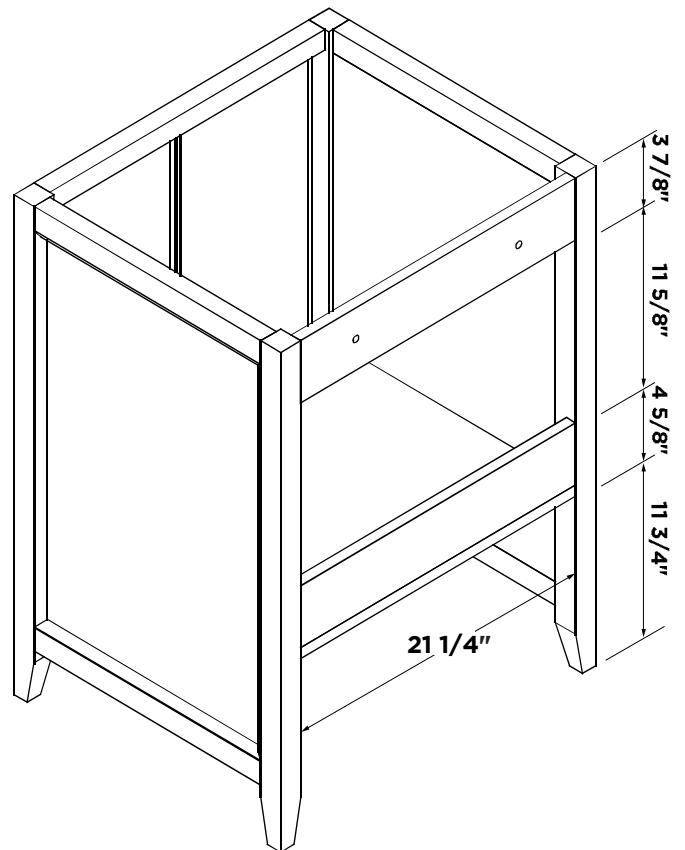
Mirror 2pcs



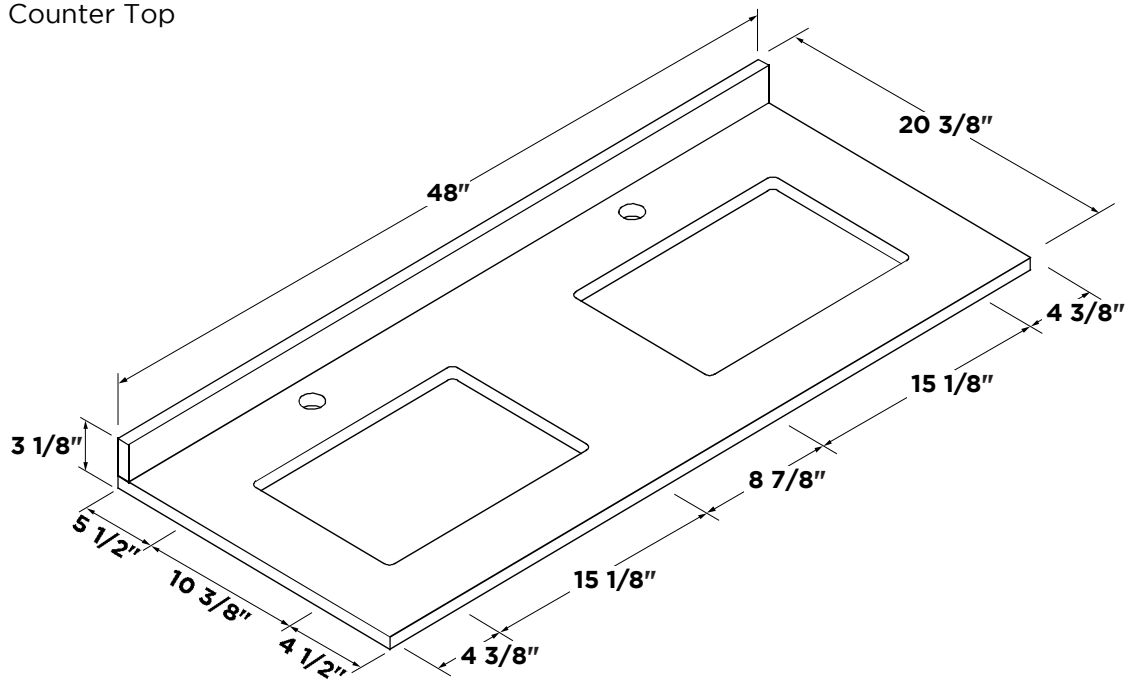
Vanity 2pcs  
 Vanity Front



Vanity Back

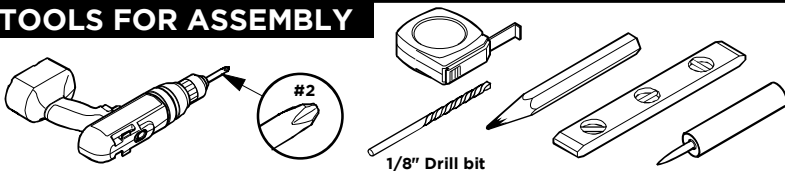


## Counter Top



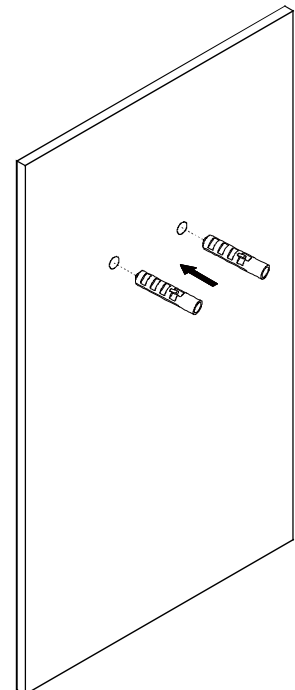
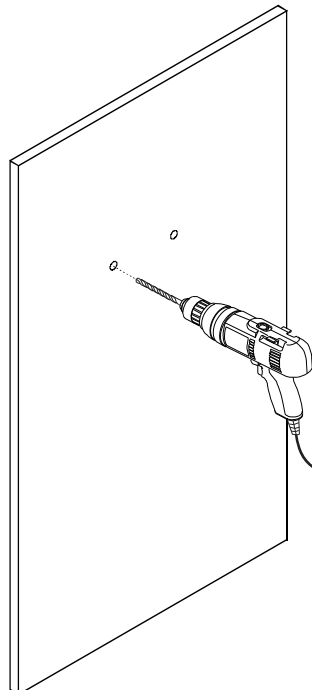
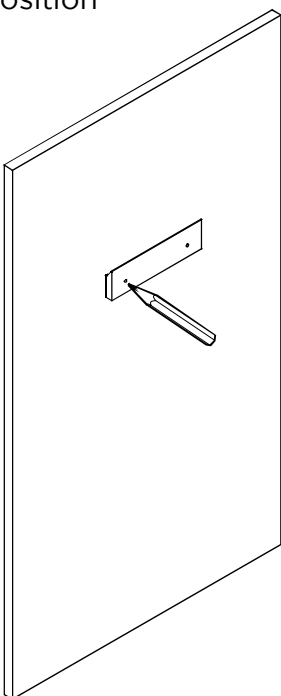
Note: All dimensions and specifications are approximate and subject to change without notice.

### TOOLS FOR ASSEMBLY



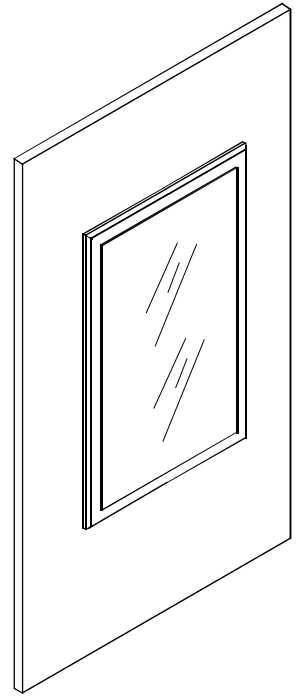
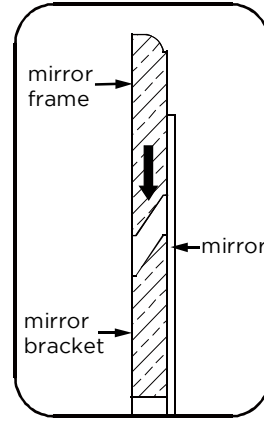
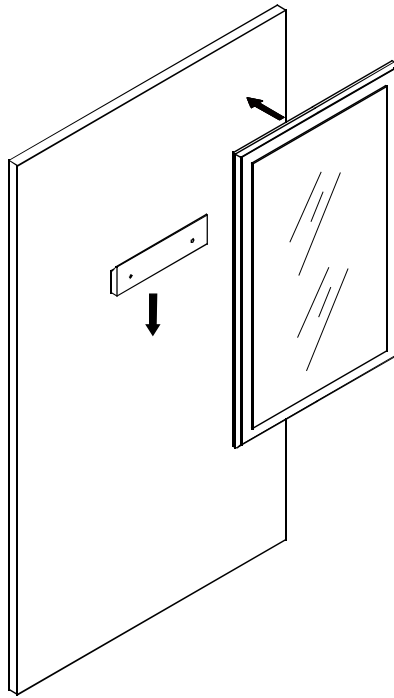
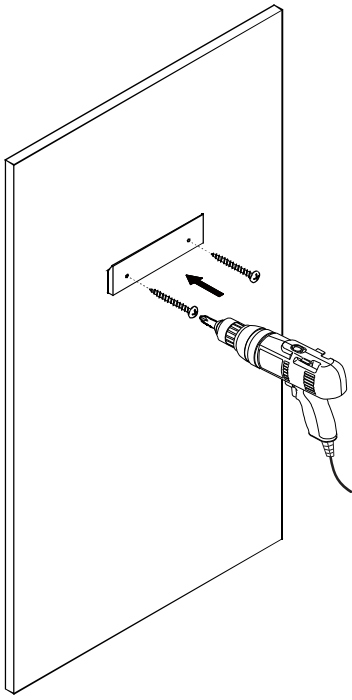
### MIRROR INSTALLATION

- 1 Level the mirror bracket and then mark the installation position
- 2 Drill the installation holes
- 3 Insert the plastic plug



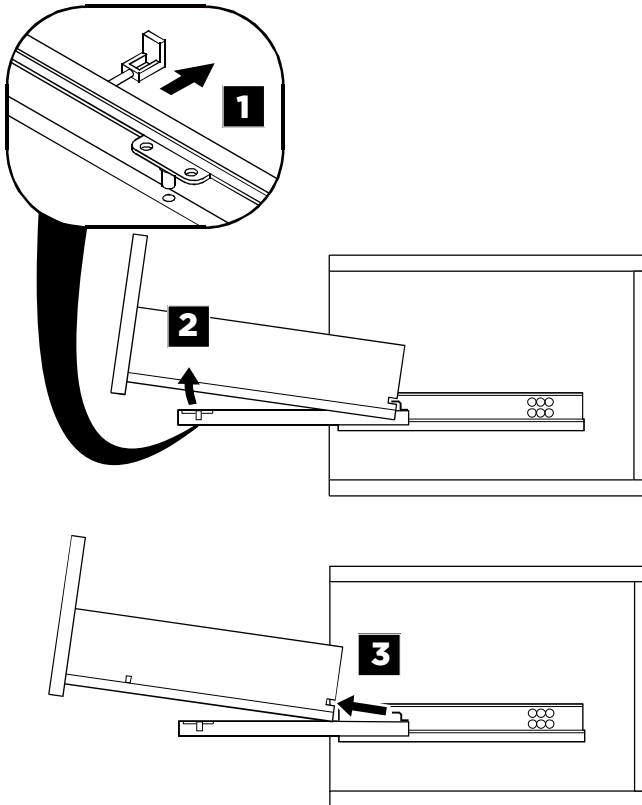
**4** Fix the mirror bracket

**5** Hang up the mirror

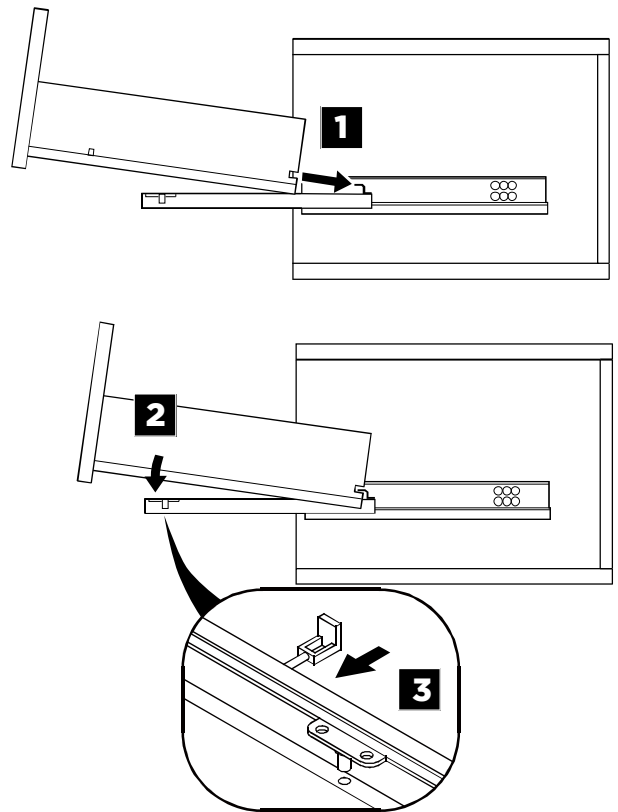


**DRAWER REMOVAL & INSTALLATION**

**REMOVAL**

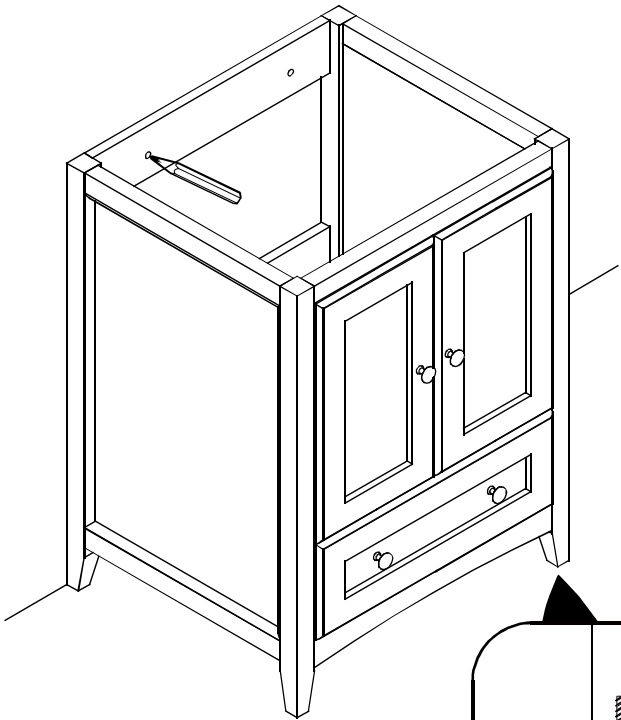


**INSTALLATION**



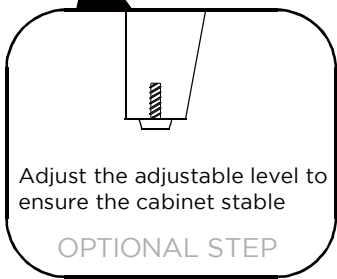
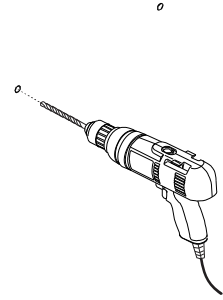
1

Level the cabinet and mark the installation position



2

Drill the installing holes

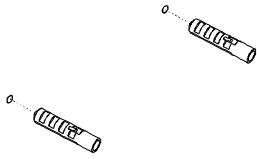


Adjust the adjustable level to ensure the cabinet stable

OPTIONAL STEP

3

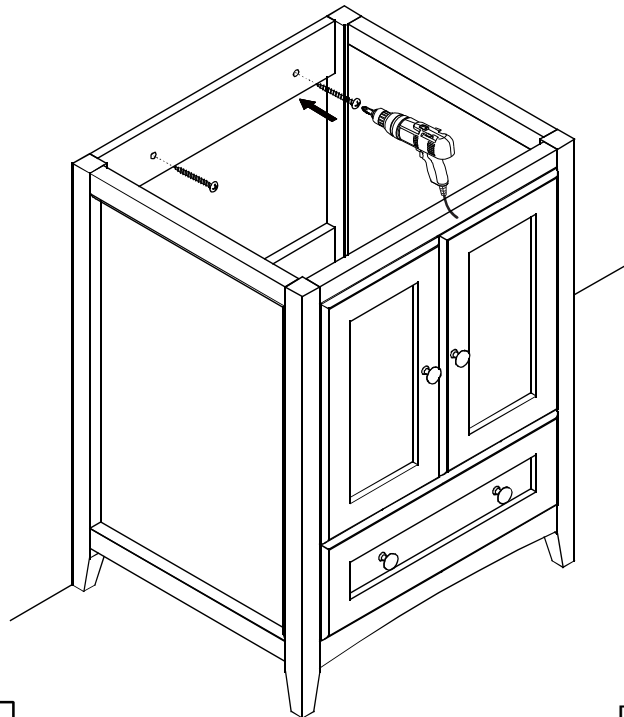
Insert the expansible plastic plugs



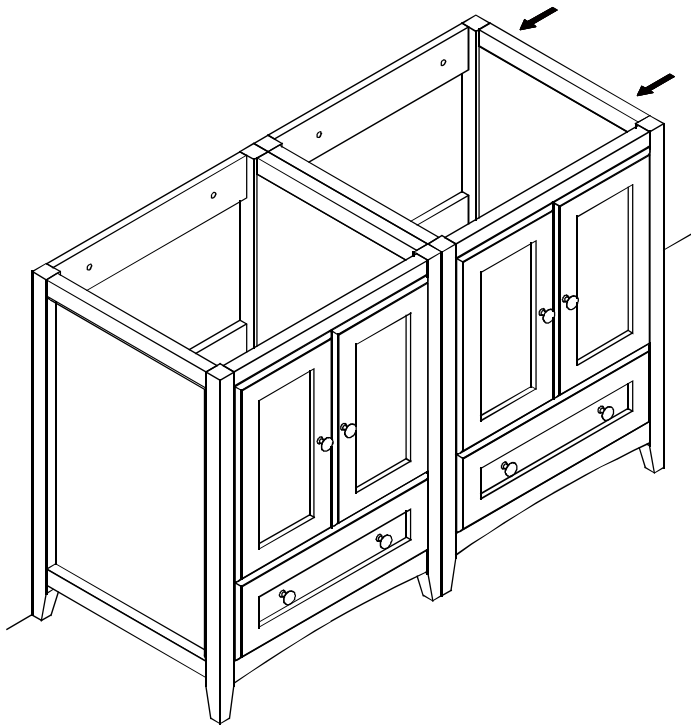
4

Install cabinet

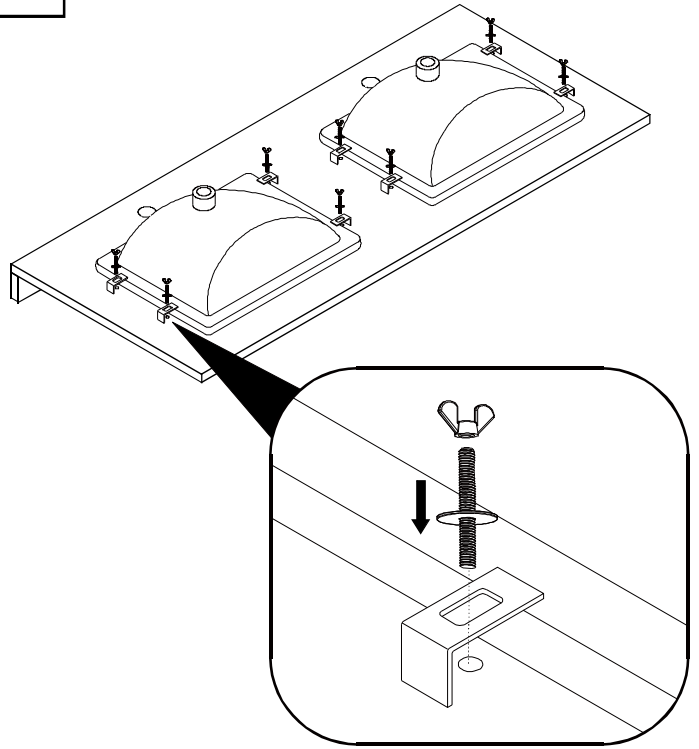
**IMPORTANT:** Consult an expert for the proper screws/bolts to use when attaching to various wall constructions. Screws provided do not attach to all wall construction types.



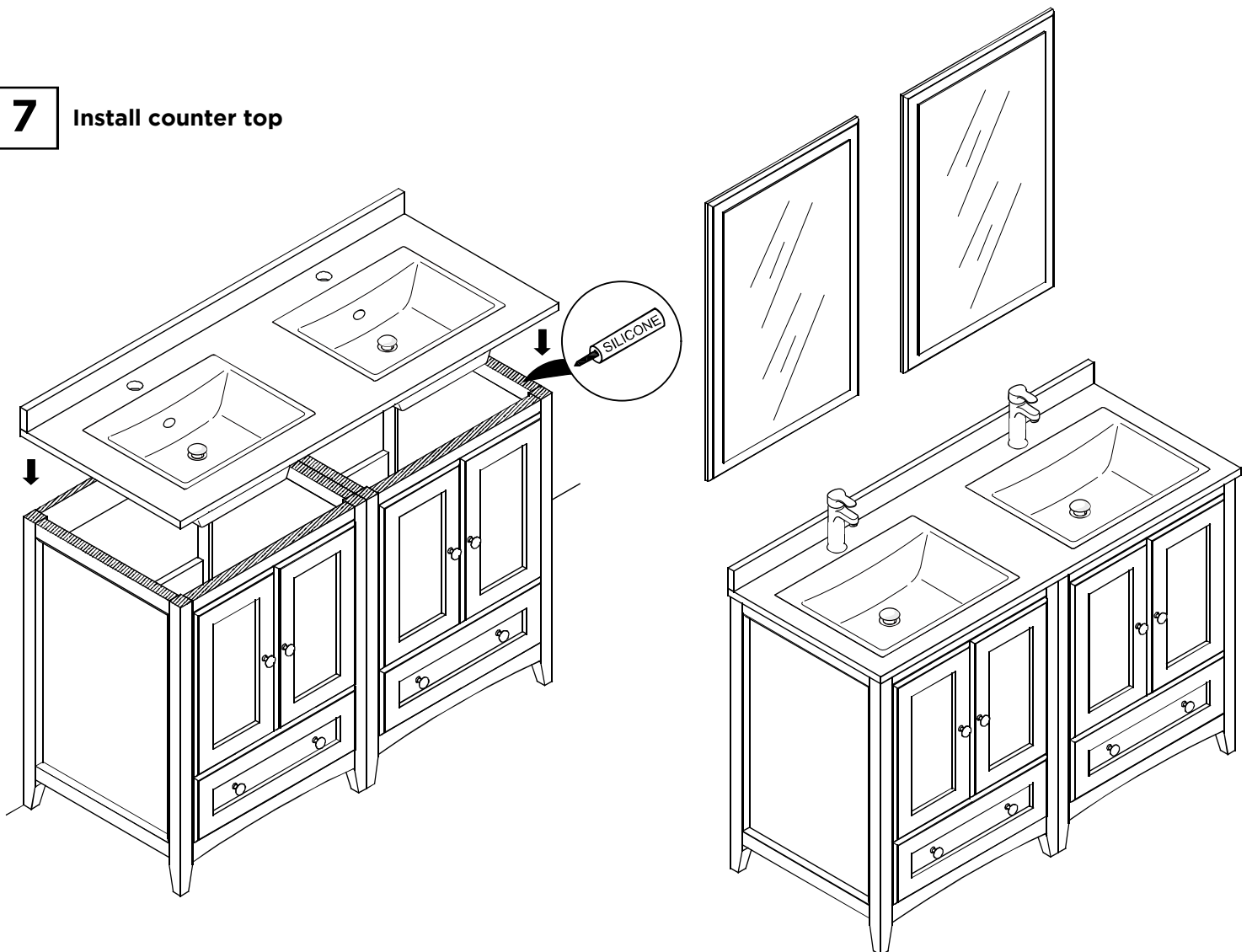
**5** Align and repeat the cabinet installation



**6** Install sink

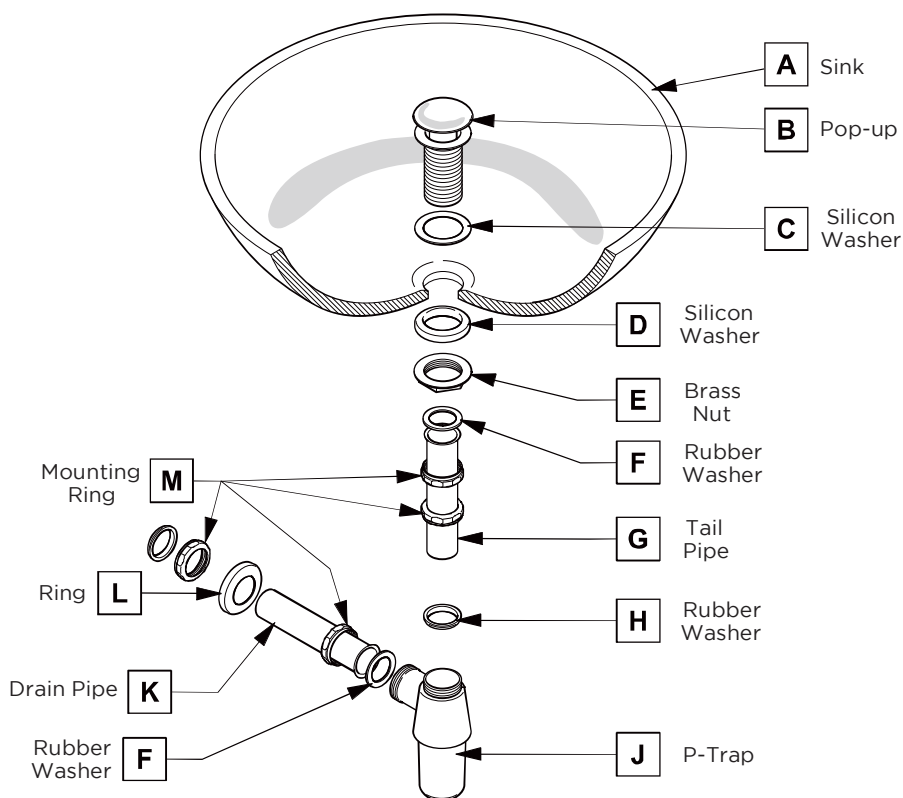


**7** Install counter top



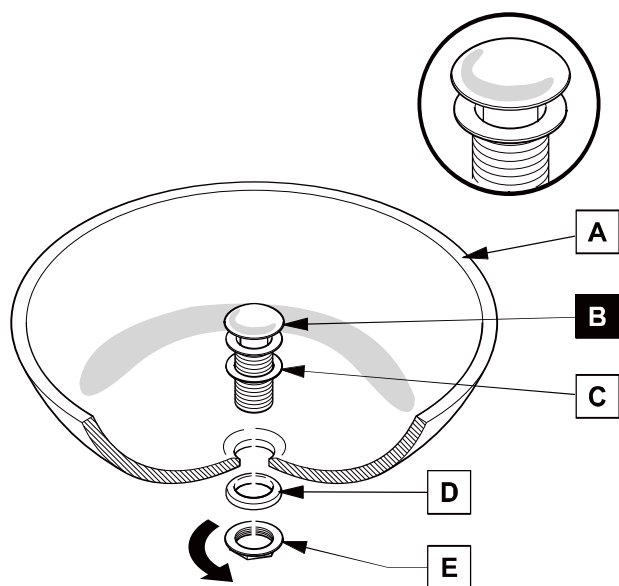
## P-TRAP AND POP-UP INSTALLATION INSTRUCTIONS

Your item may appear slightly different from the illustration



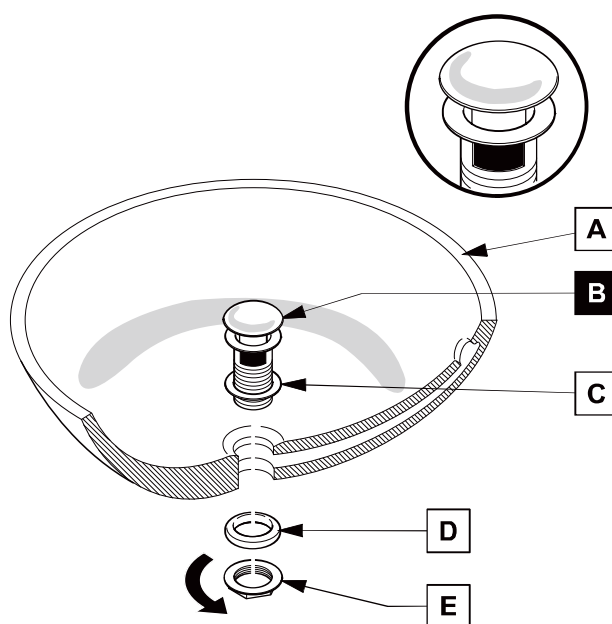
### POP-UP INSTALLATION

#### FOR SINKS WITHOUT OVERFLOW



OR

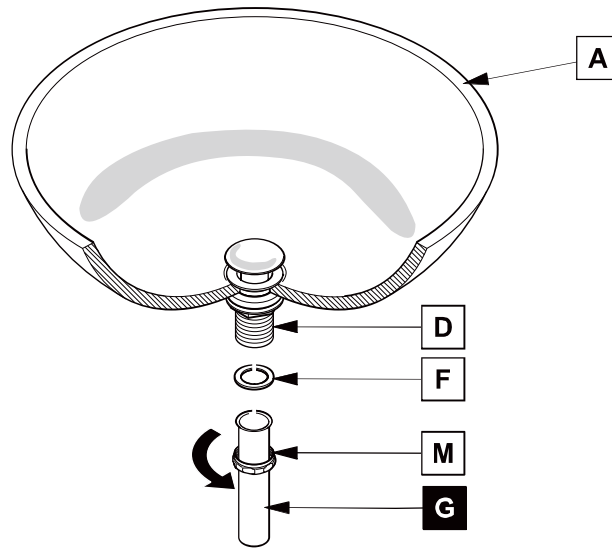
#### FOR SINKS WITH OVERFLOW



# P-TRAP INSTALLATION

**1**

**Install tail pipe (G)**



**2**

**Install p-trap (J)**

