



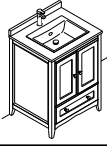
FVN2024

OXFORD

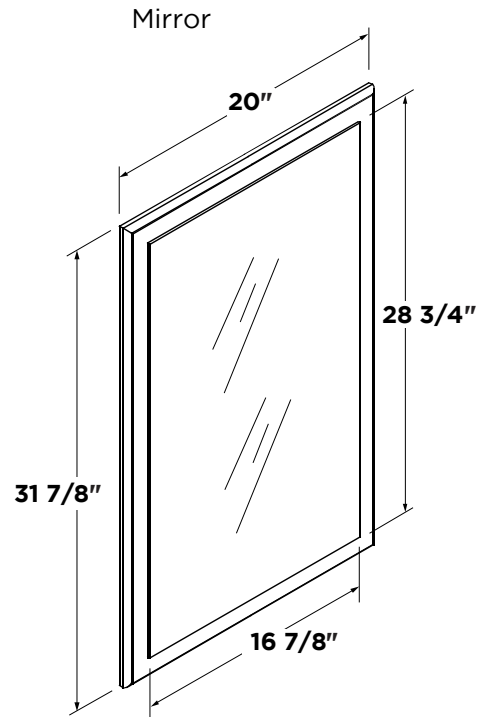
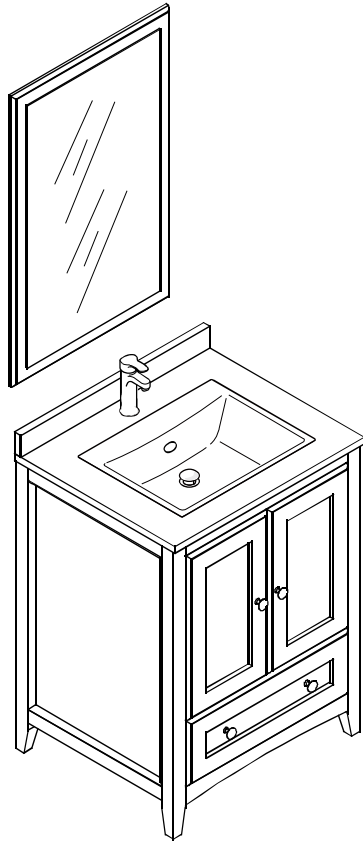
INSTALLATION GUIDE

CONTENTS:

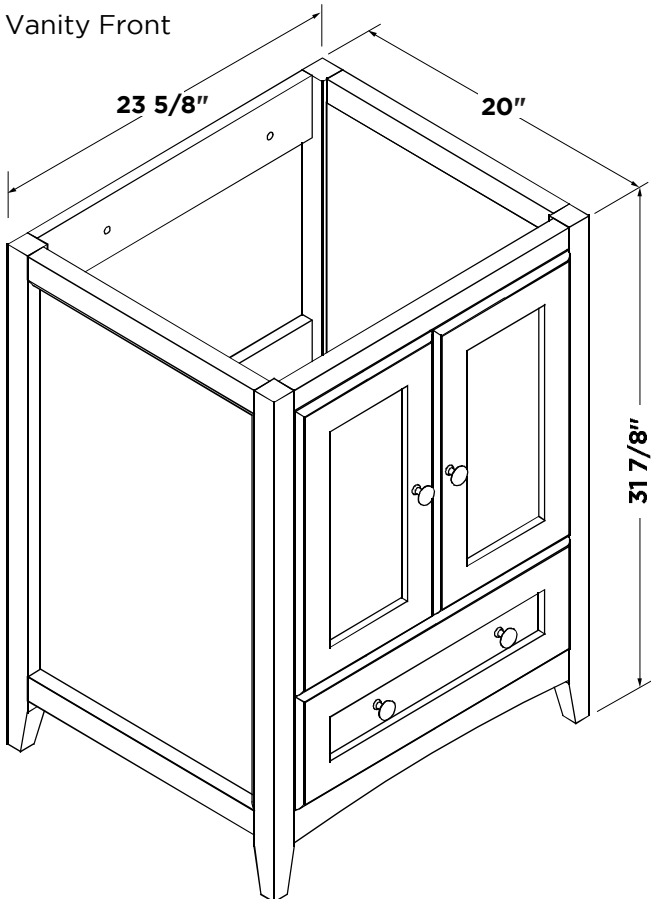
| | |
|--------------------------------|-------------------------|
| Cabinet..... (FCB2024)..... | PAGE 4 (STEP 4) |
| Sink..... (FVS2017)..... | PAGE 6 (STEP 5) |
| Countertop..... (FCT2024)..... | PAGE 5 (STEP 6) |
| Mirror..... (FMR2024)..... | PAGE 2-3 (STEPS 1-5) |



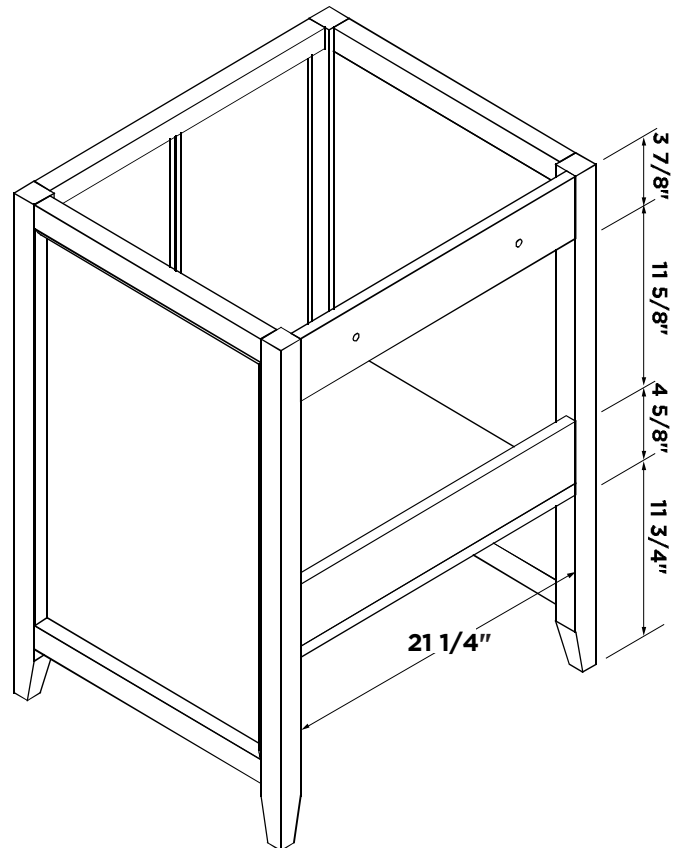
FVN2024
OXFORD
INSTALLATION GUIDE



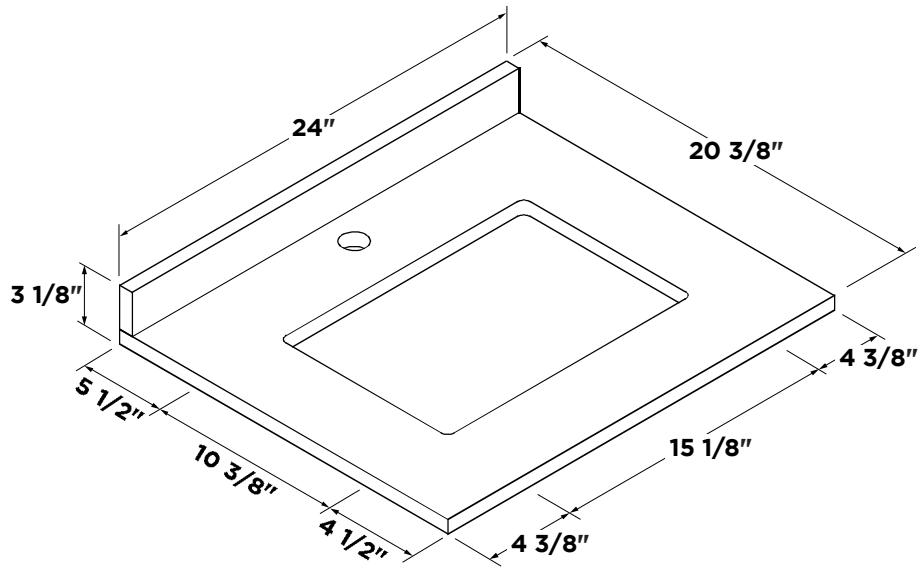
Vanity Front



Vanity Back

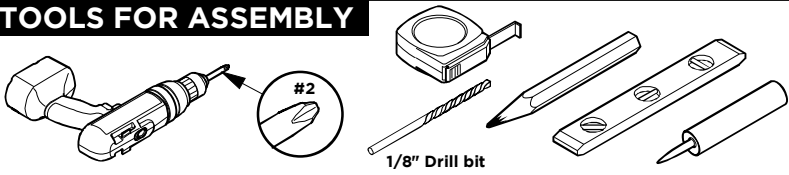


Counter Top



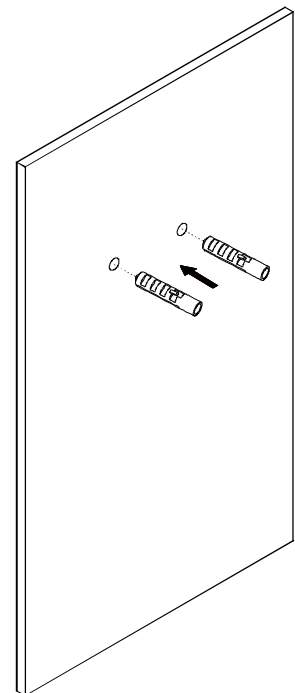
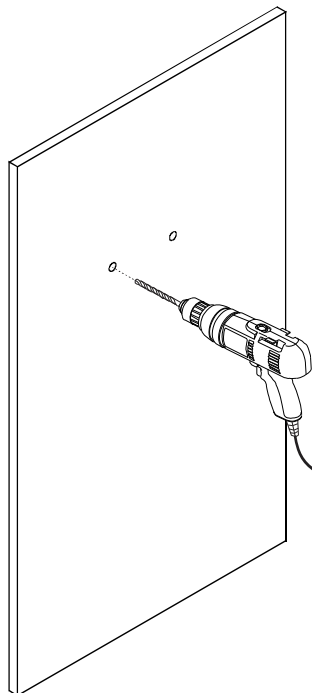
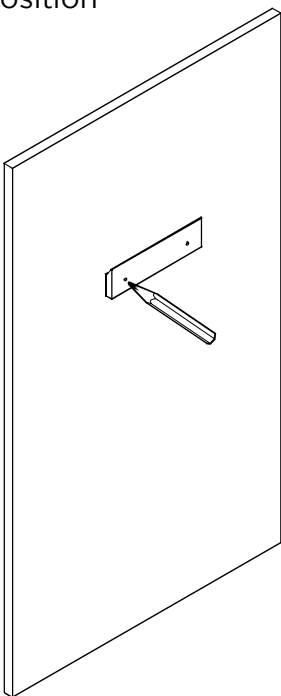
Note: All dimensions and specifications are approximate and subject to change without notice.

TOOLS FOR ASSEMBLY



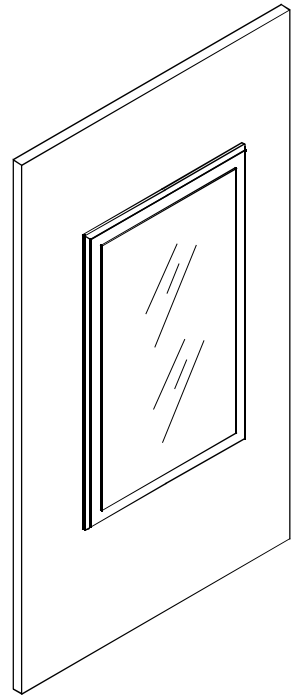
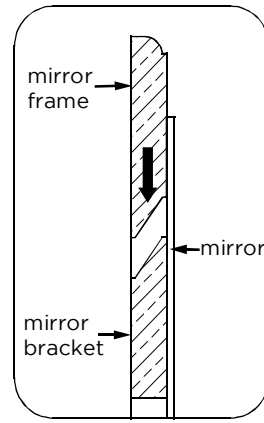
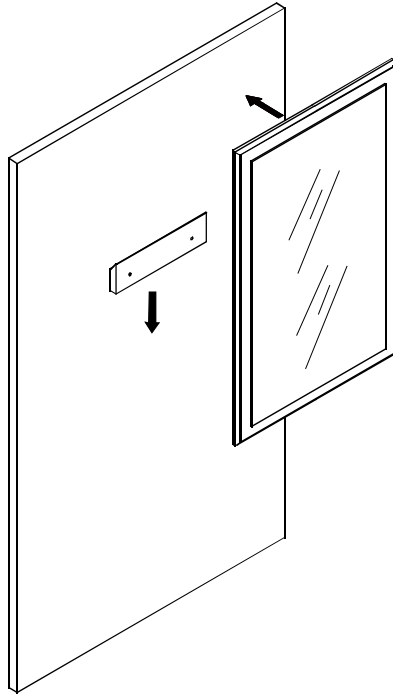
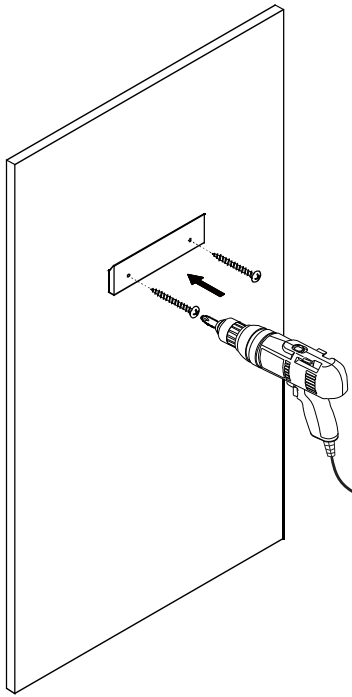
MIRROR INSTALLATION

- 1 Level the mirror bracket and then mark the installation position
- 2 Drill the installation holes
- 3 Insert the plastic plug



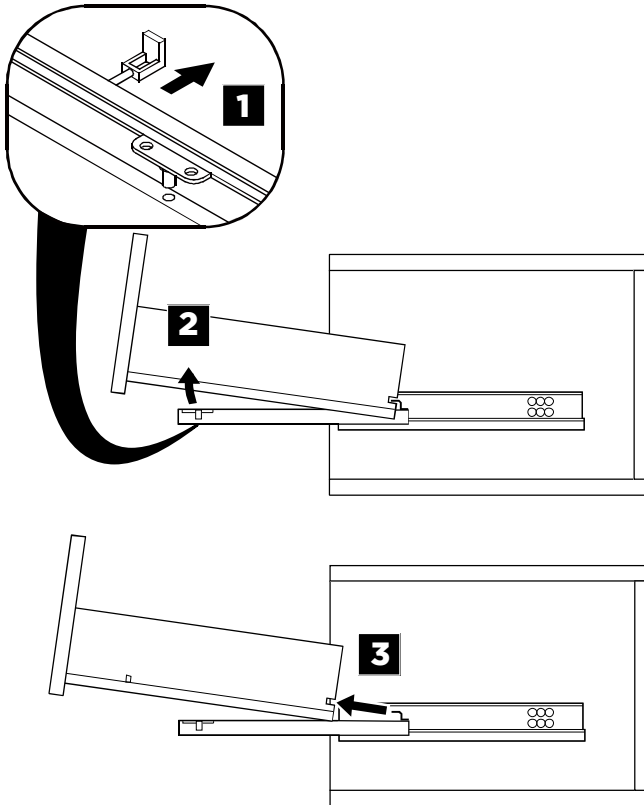
4 Fix the mirror bracket

5 Hang up the mirror

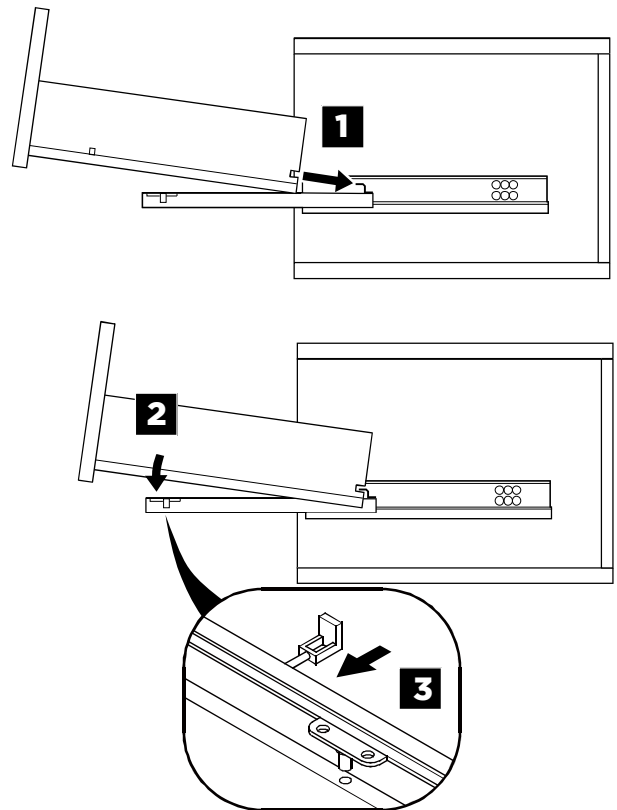


DRAWER REMOVAL & INSTALLATION

REMOVAL



INSTALLATION

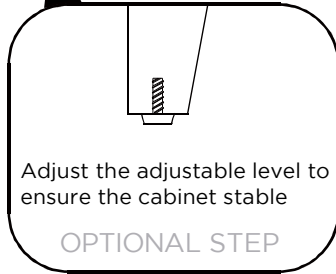
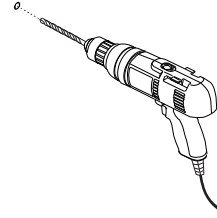
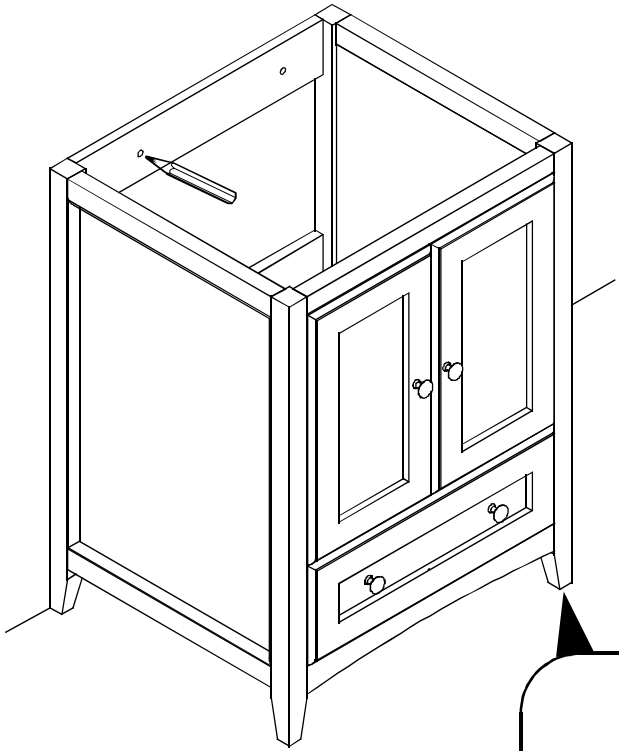


1

Level the cabinet and mark the installation position

2

Drill the installing holes



Adjust the adjustable level to ensure the cabinet stable

OPTIONAL STEP

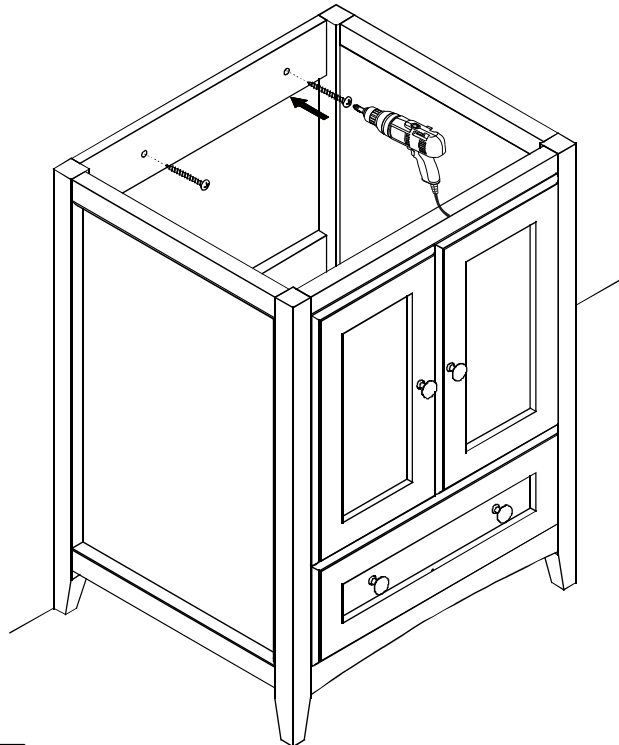
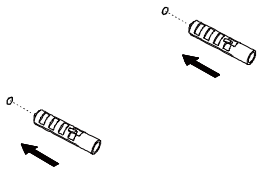
3

Insert the expansible plastic plugs

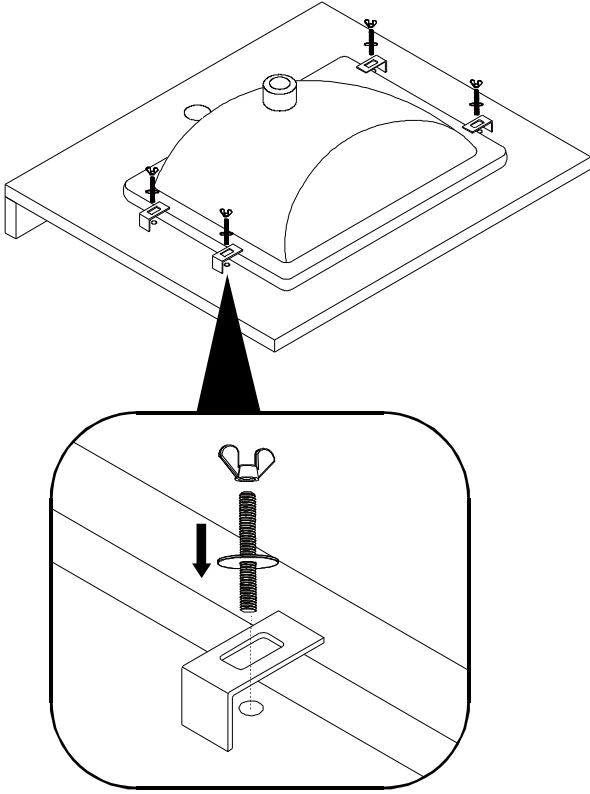
4

Install cabinet

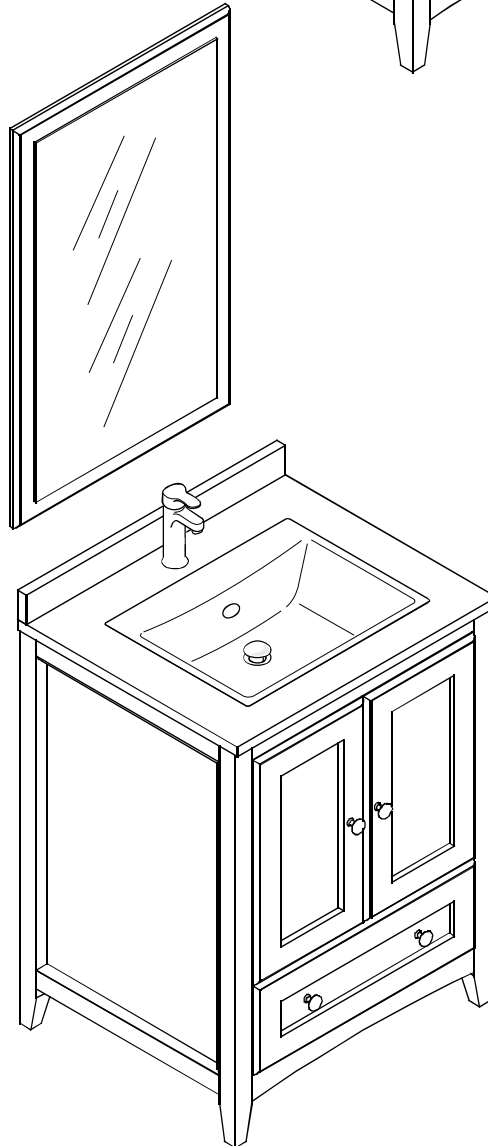
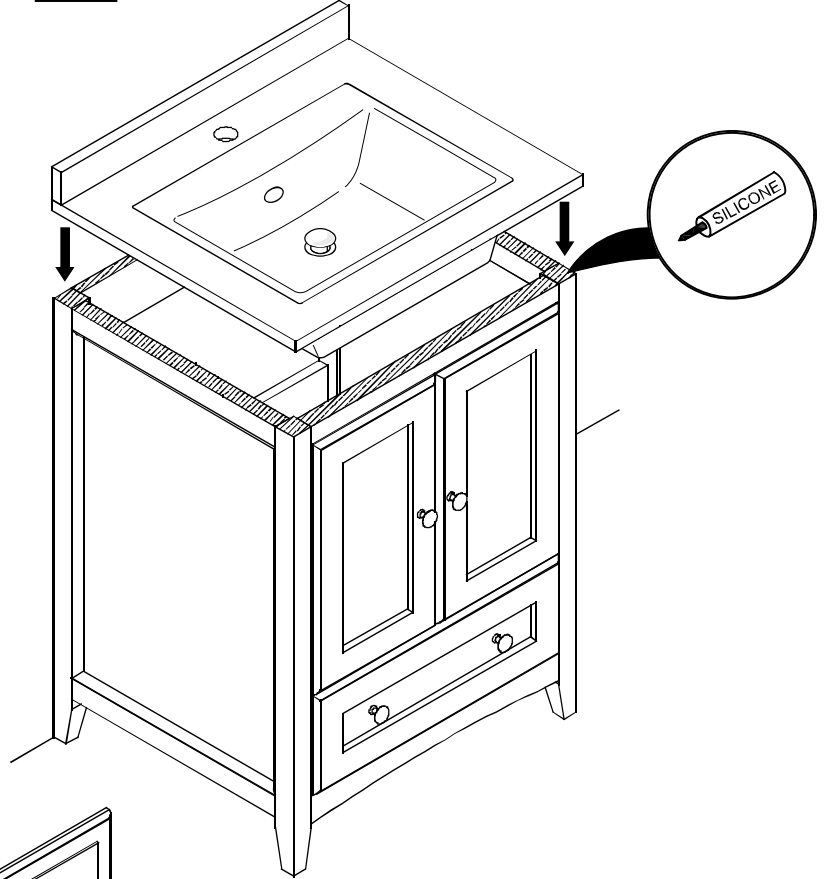
IMPORTANT: Consult an expert for the proper screws/bolts to use when attaching to various wall constructions. Screws provided do not attach to all wall construction types.



5 Install sink

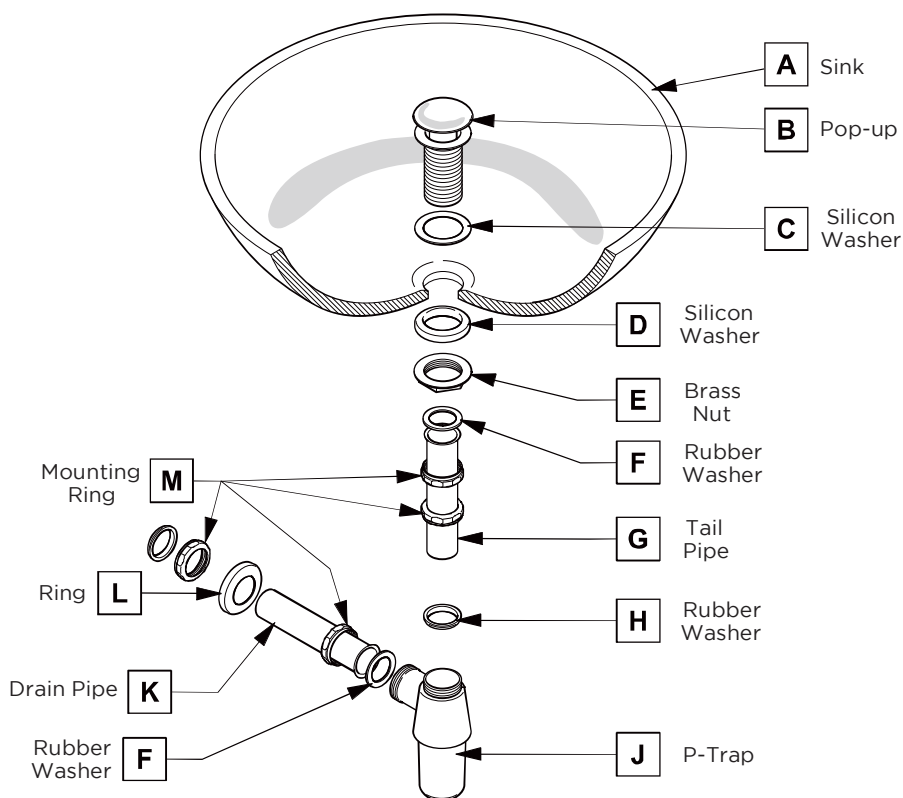


6 Install counter top



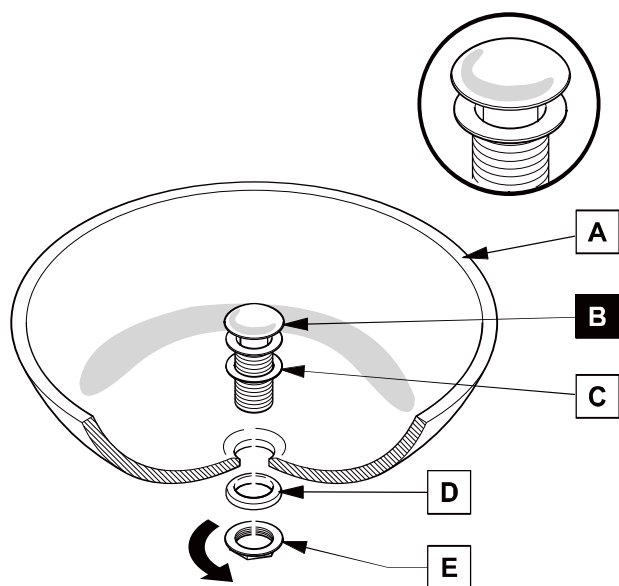
P-TRAP AND POP-UP INSTALLATION INSTRUCTIONS

Your item may appear slightly different from the illustration



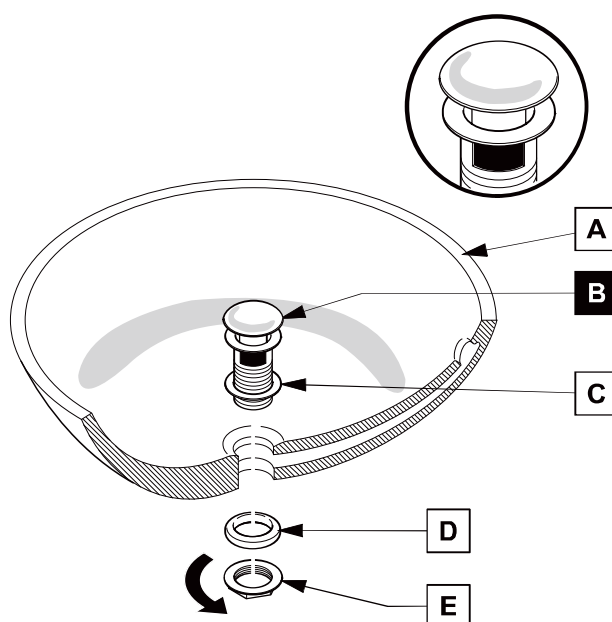
POP-UP INSTALLATION

FOR SINKS WITHOUT OVERFLOW



OR

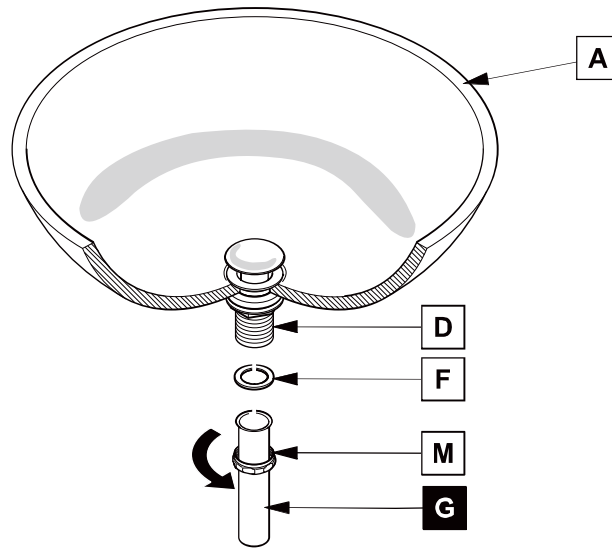
FOR SINKS WITH OVERFLOW



P-TRAP INSTALLATION

1

Install tail pipe (G)



2

Install p-trap (J)

