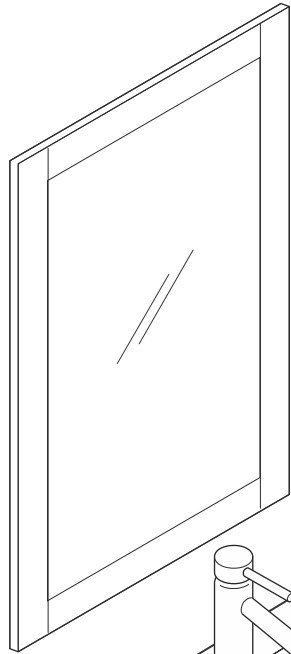
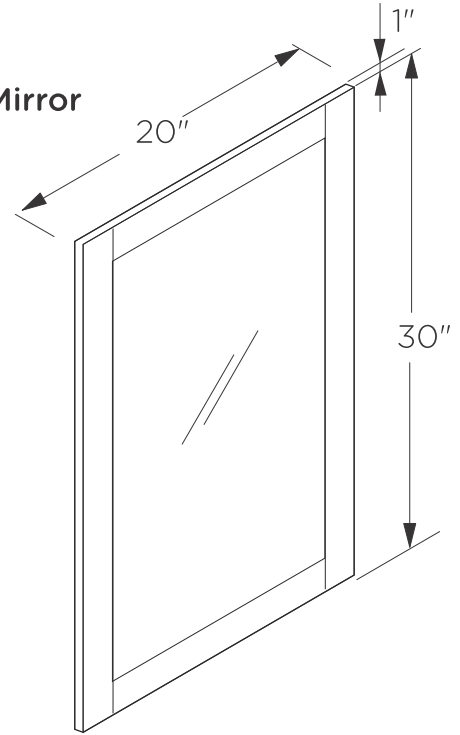




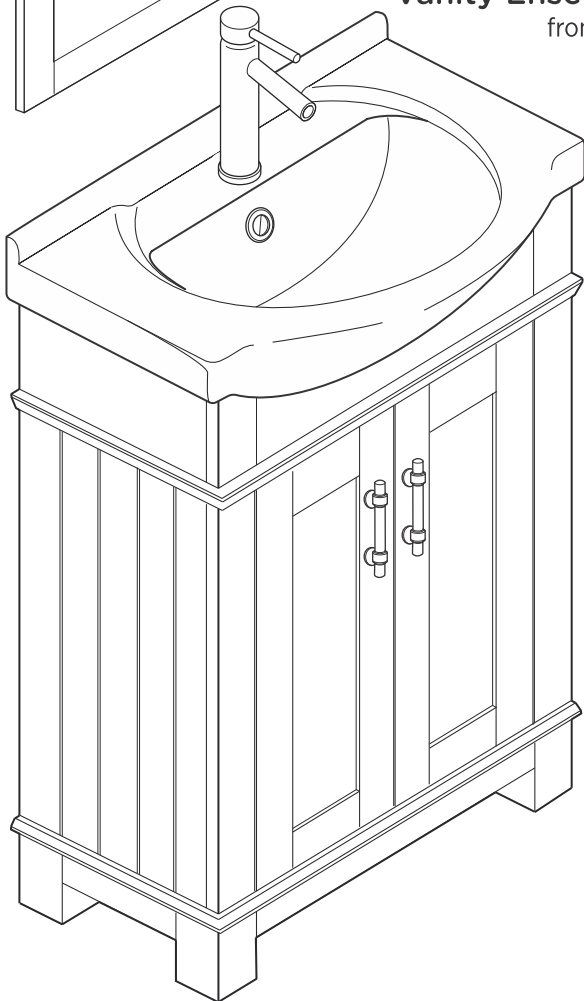
FCB2303-I
HARTFORD
INSTALLATION GUIDE



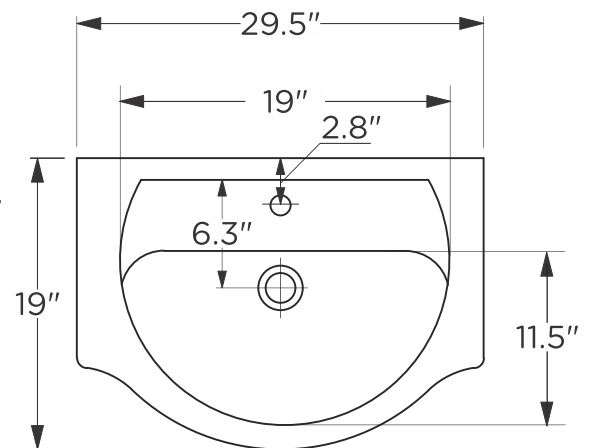
Optional Mirror
 front view



Vanity Ensemble
 front view



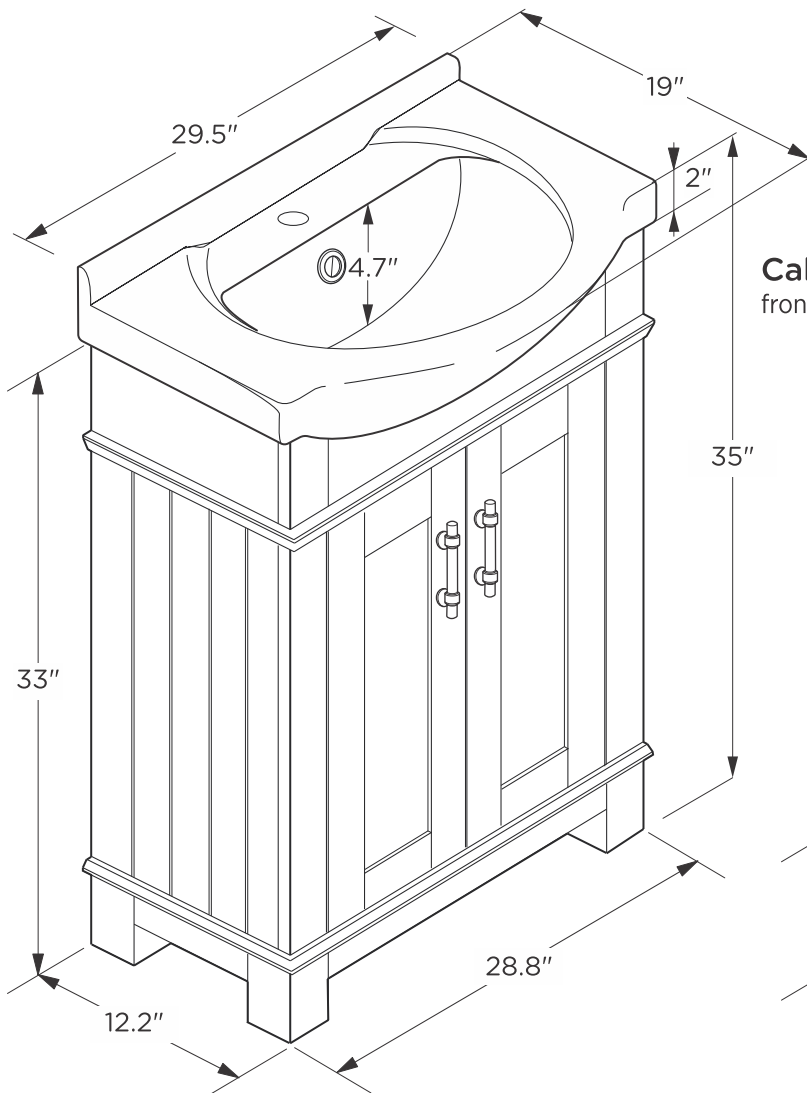
Sink
 top view



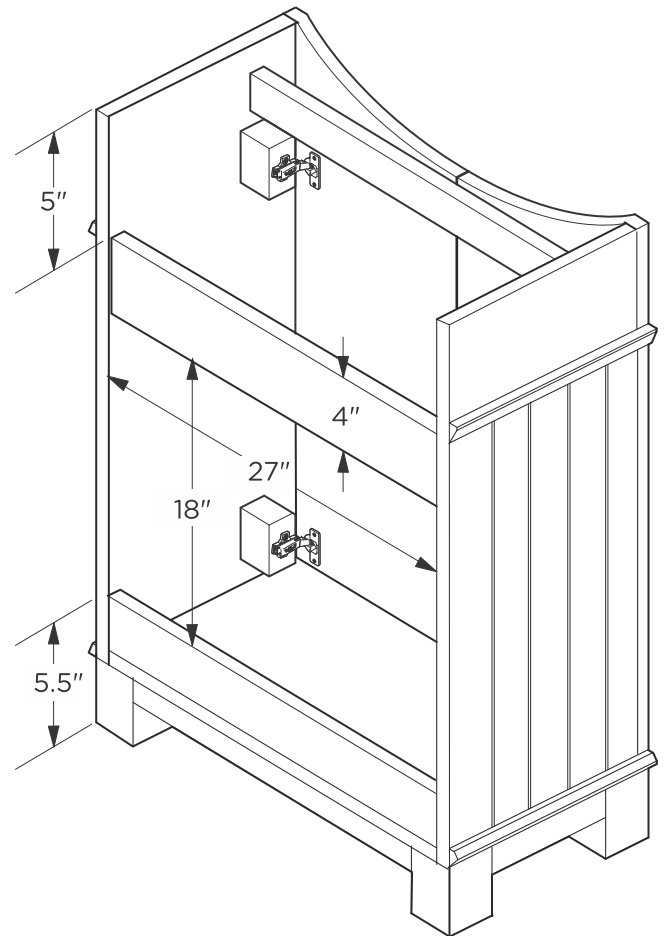
NOTE: ALL DIMENSIONS & SPECIFICATIONS ARE APPROXIMATE AND SUBJECT TO CHANGE WITHOUT NOTICE.



FCB2303-I HARTFORD INSTALLATION GUIDE



Cabinet front view



Cabinet rear view

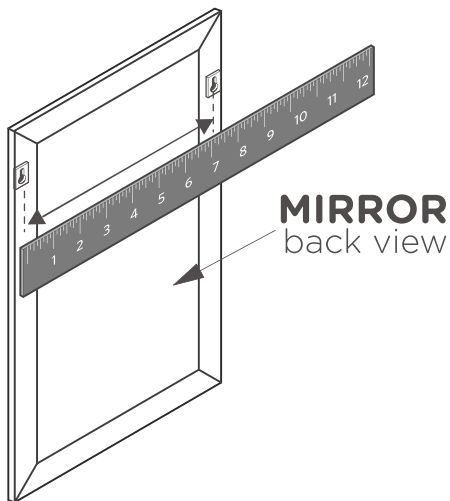
NOTE: ALL DIMENSIONS & SPECIFICATIONS ARE APPROXIMATE AND SUBJECT TO CHANGE WITHOUT NOTICE.

MIRROR INSTALLATION

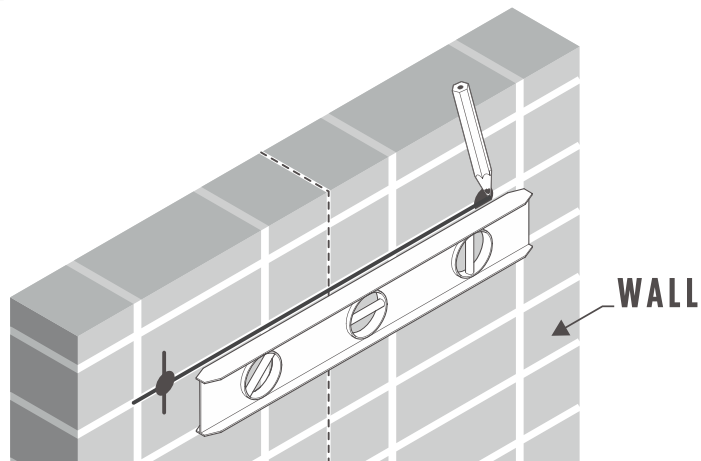
TOOLS FOR ASSEMBLY



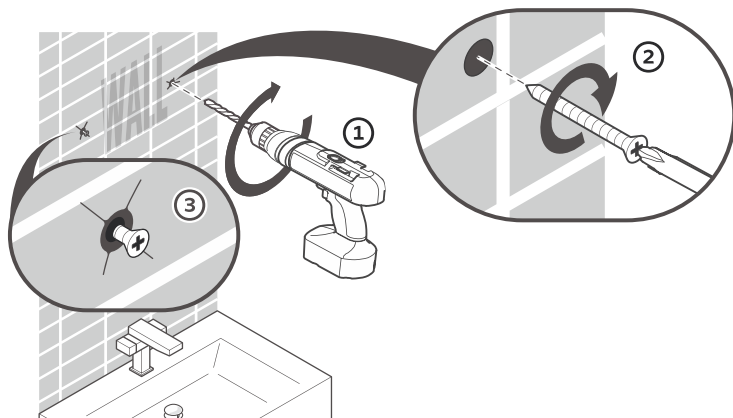
1 Measure the distance between the brackets on the back of the mirror



2 Mark the measured distance on the wall using a level

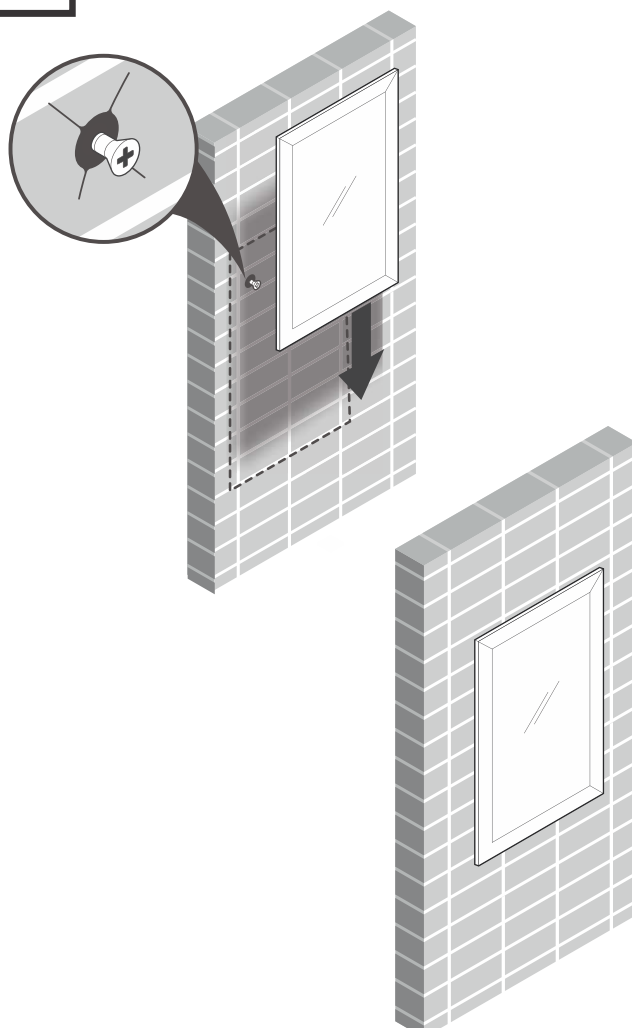


3 Once position is marked, drill 2 holes and insert anchors if stud is not available



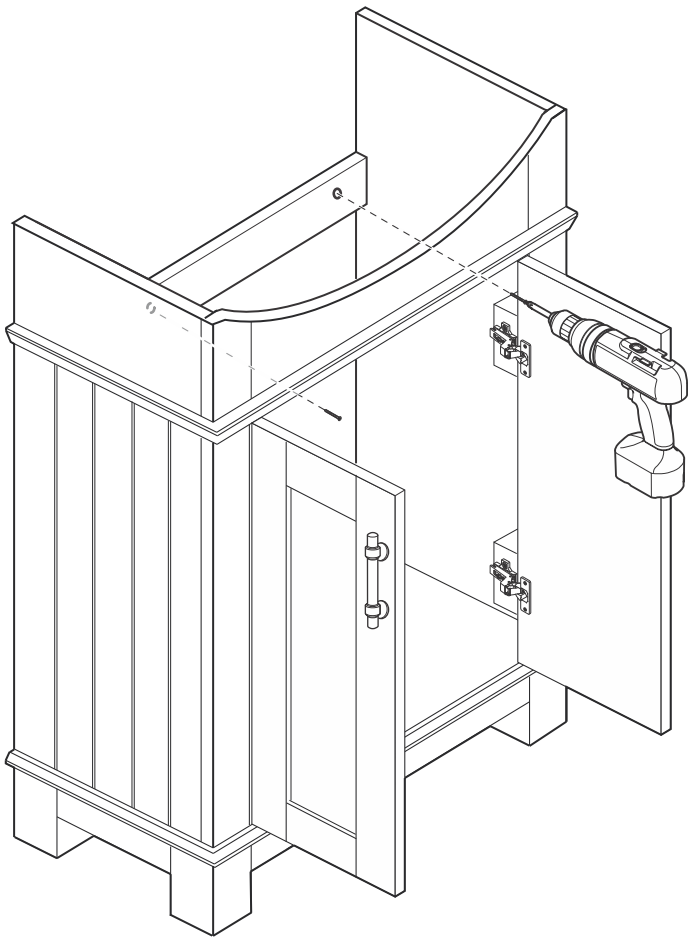
IMPORTANT: Consult an expert for the proper screws/bolts to use when attaching to various constructions. Screws provided **do not** attach to all wall construction types. Anchors are not required if brackets are installed in stud.

4 Hang mirror on the wall

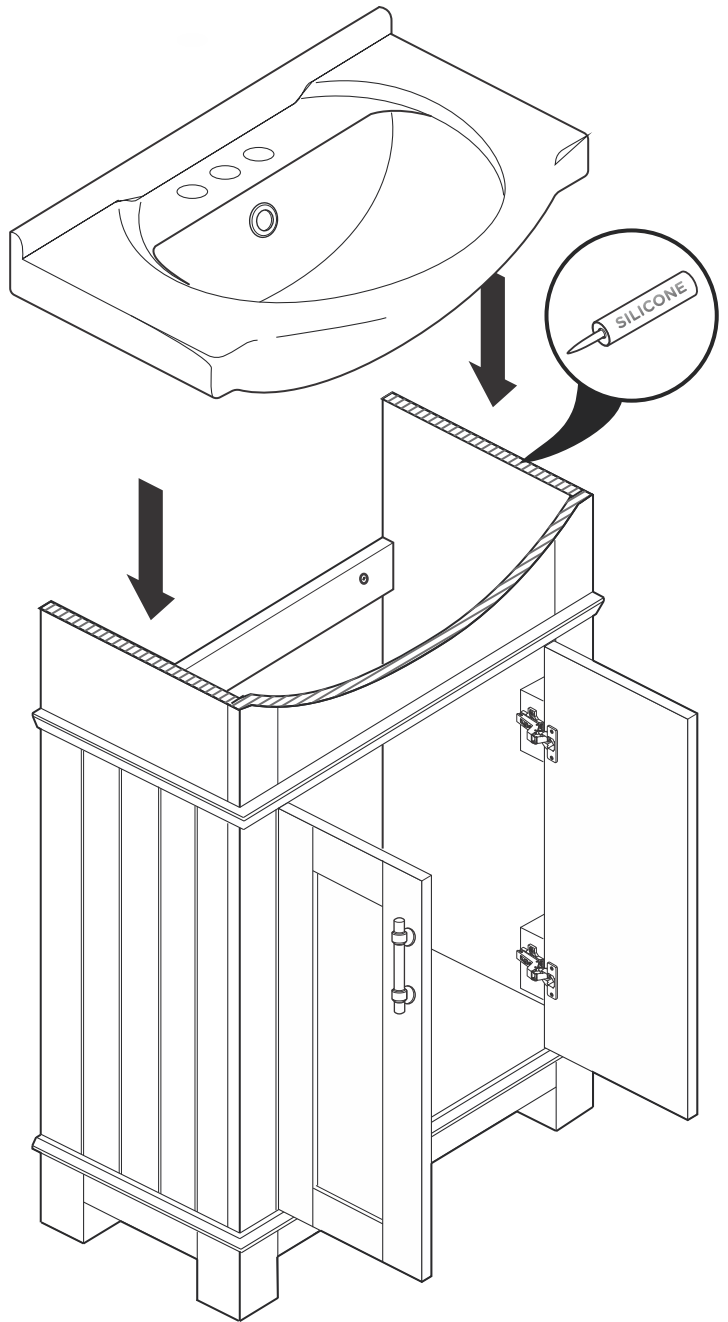


CABINET INSTALLATION

1 Attach the cabinet to the wall.



2 Apply a bead of silicone on the top of the cabinet and place the sink on it.

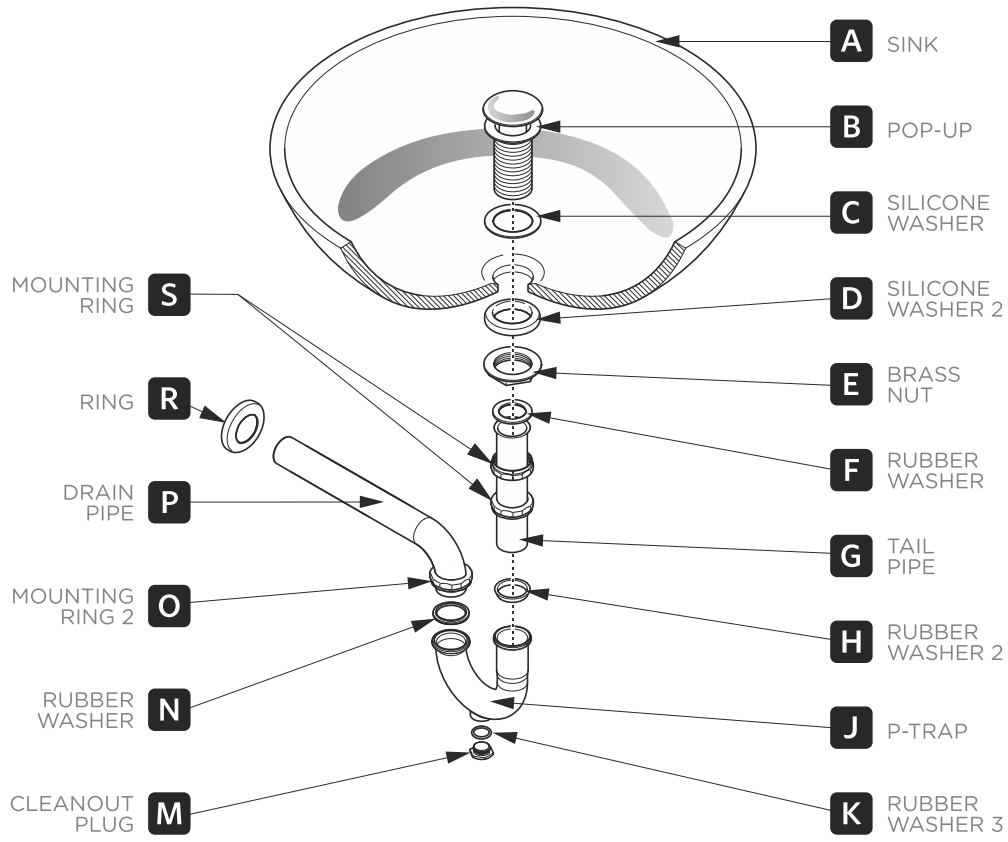


IMPORTANT: Consult an expert for the proper screws/bolts to use when attaching to various constructions. Screws provided do not attach to all wall construction types. Anchors are not required if brackets are installed in stud.

P-TRAP & POP-UP

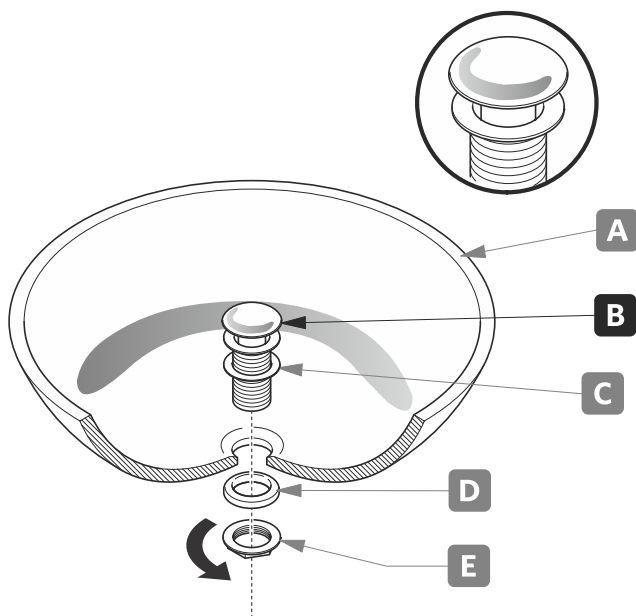
INSTALLATION INSTRUCTIONS

Your item may appear slightly different from the illustration.



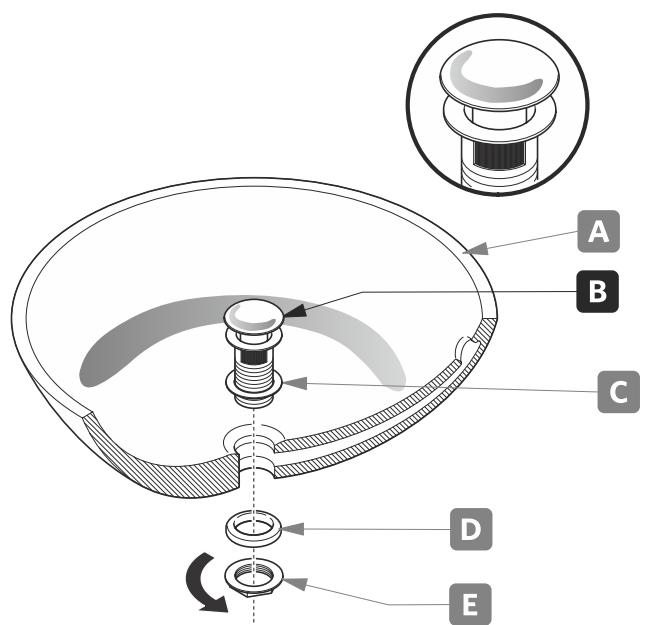
POP-UP INSTALLATION

FOR SINKS WITHOUT OVERFLOW



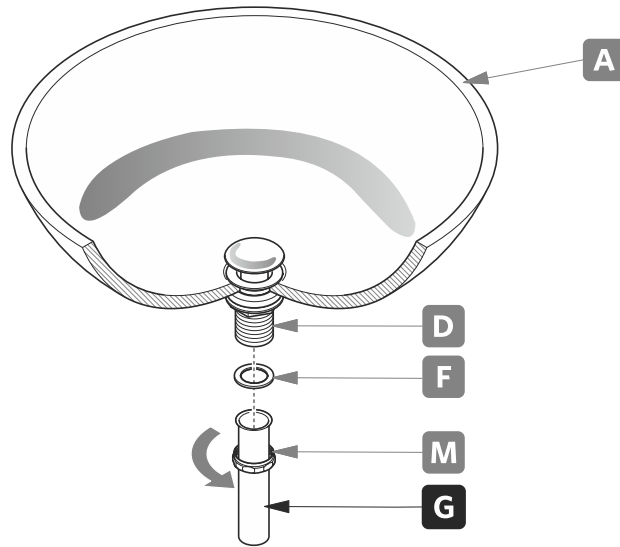
OR

FOR SINKS WITH OVERFLOW



P-TRAP INSTALLATION

1 Install tail pipe (G).



2 Install P-trap (J).

