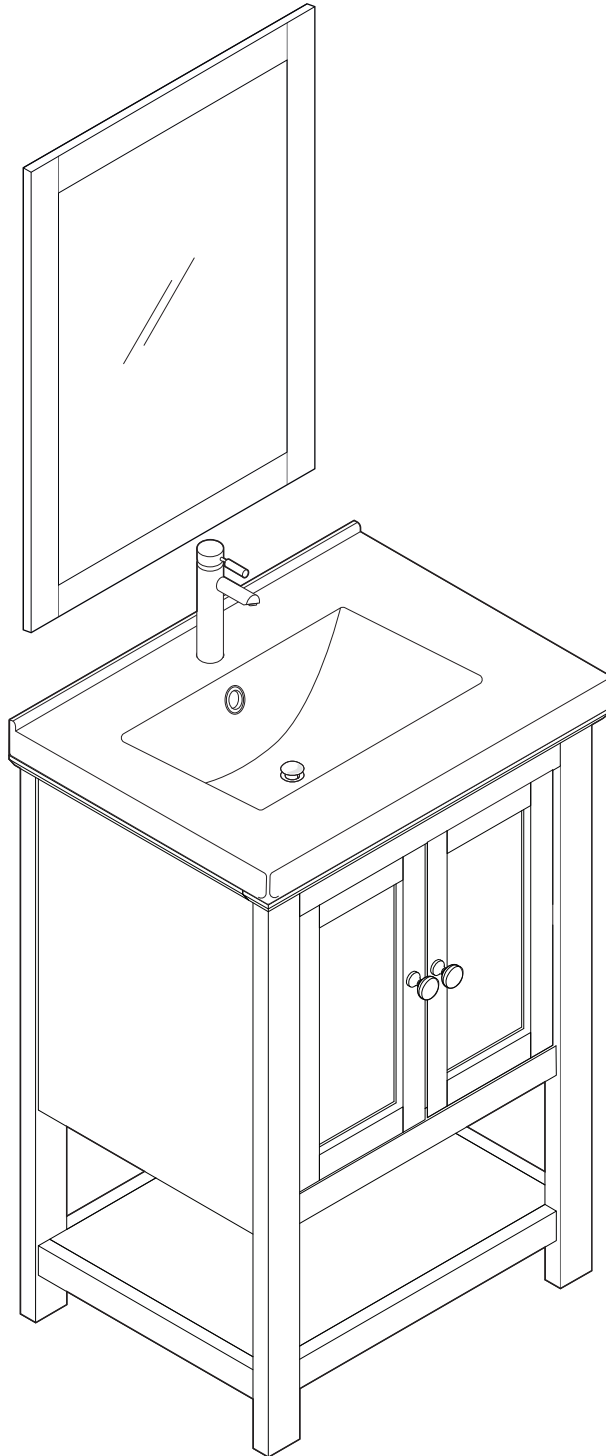
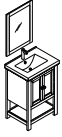
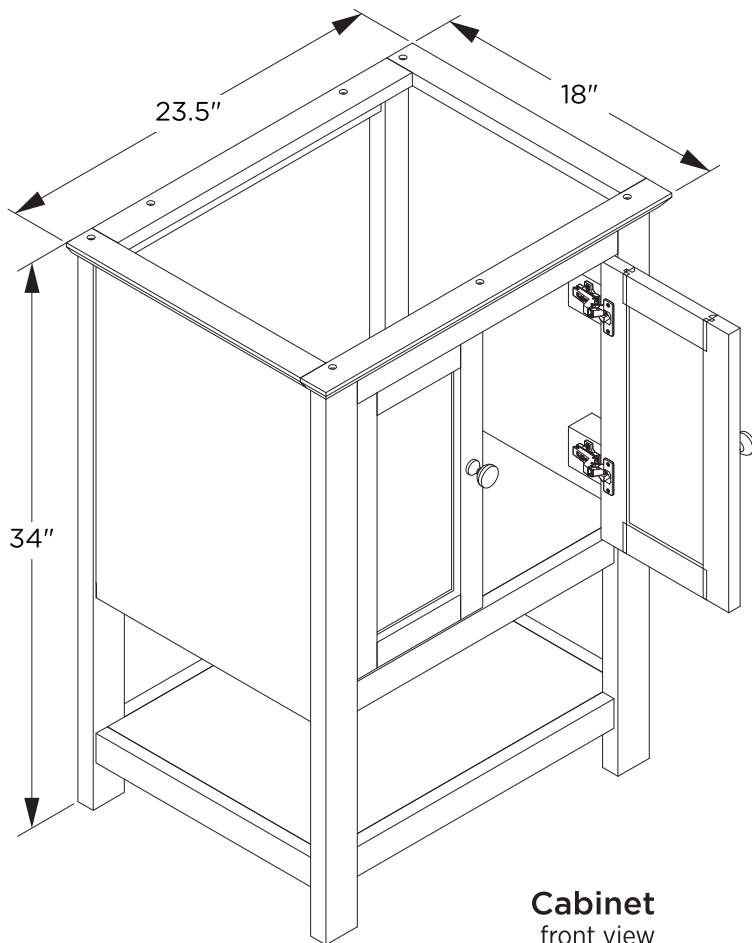
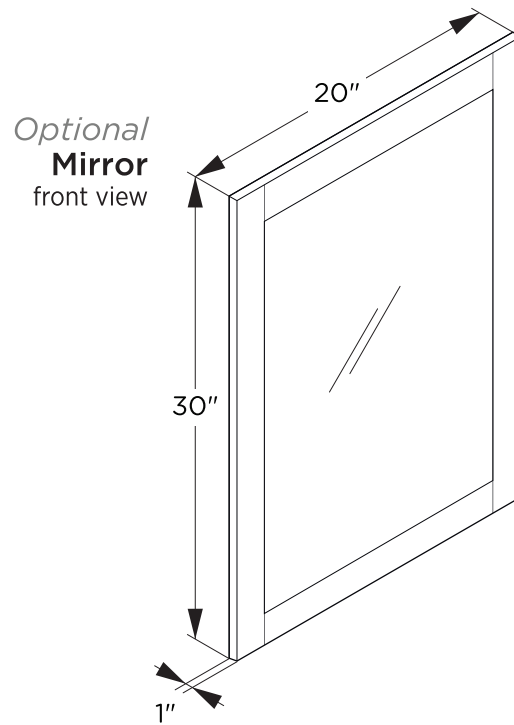


# FCB2304-I MANCHESTER INSTALLATION GUIDE

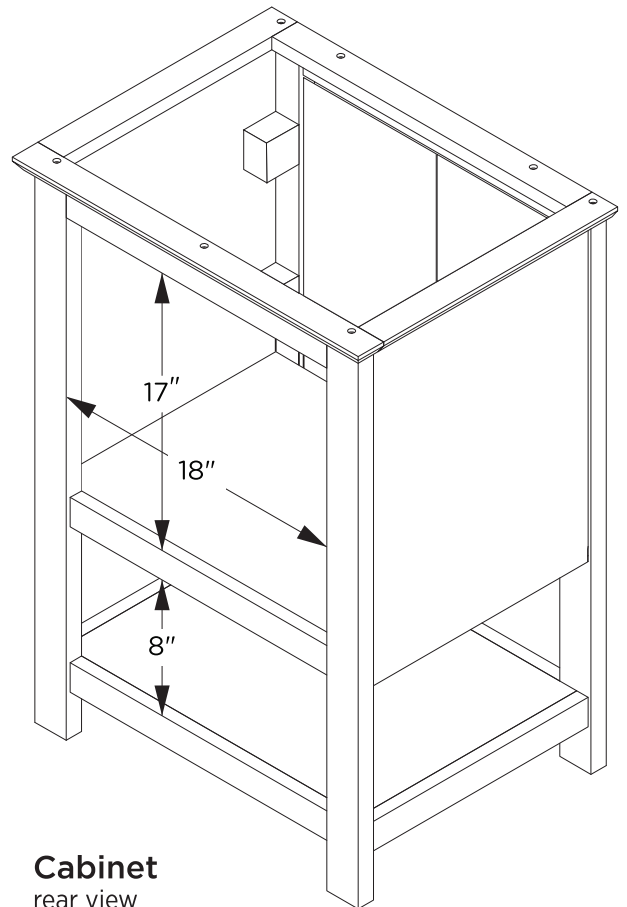




# FCB2304-I MANCHESTER INSTALLATION GUIDE



**Cabinet**  
front view



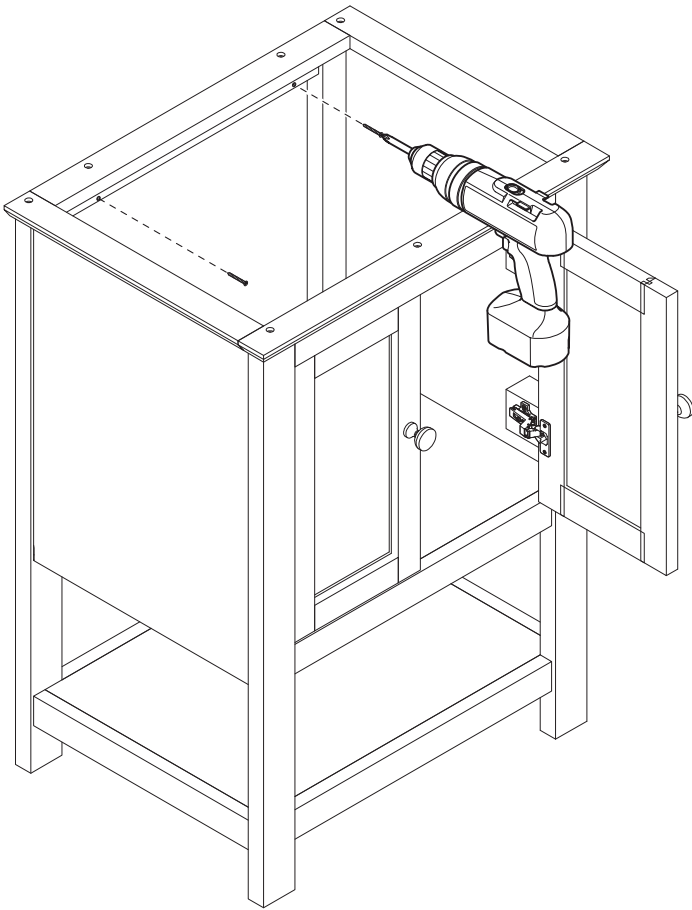
**Cabinet**  
rear view

**NOTE:** ALL DIMENSIONS & SPECIFICATIONS ARE APPROXIMATE AND SUBJECT TO CHANGE WITHOUT NOTICE.

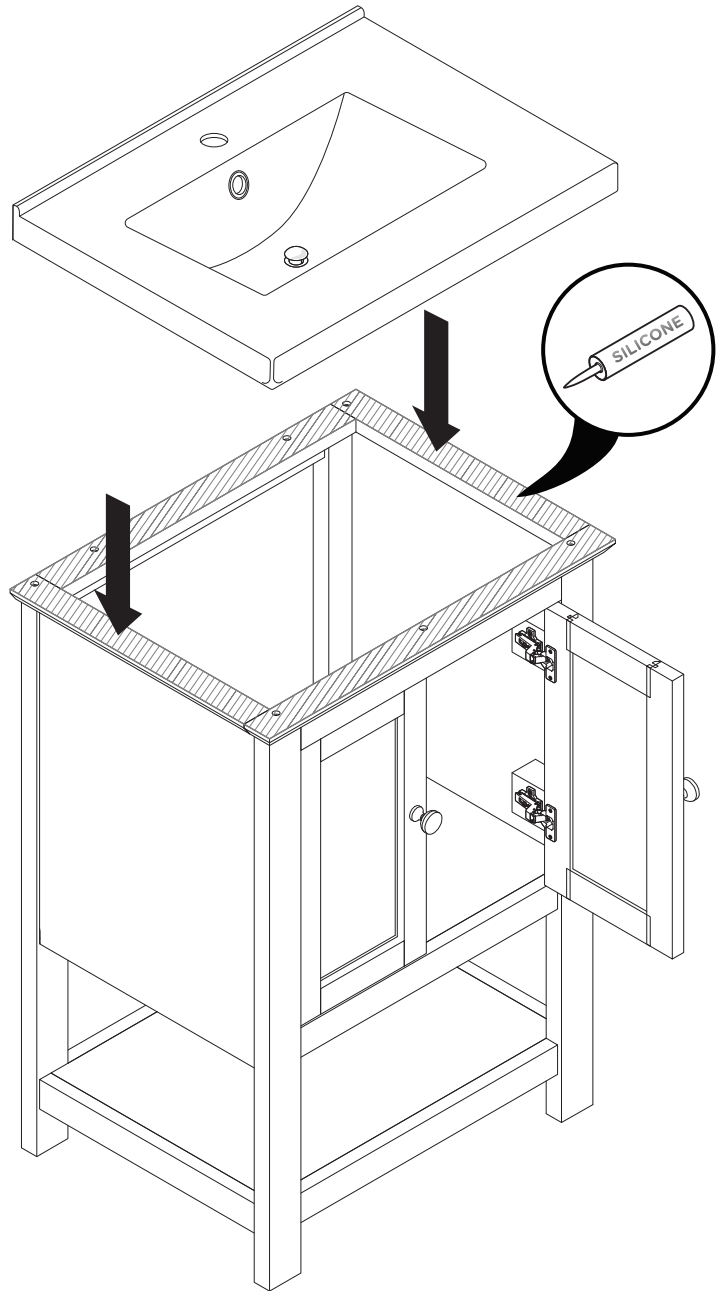


# CABINET INSTALLATION

**1** Attach the cabinet to the wall.



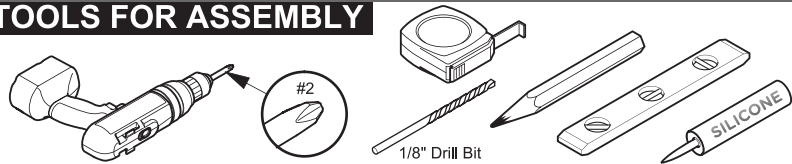
**2** Apply a bead of silicone on the top of the cabinet and place the sink on it.



**NOTE:** Consult an expert for the proper screws/bolts to use when attaching to various constructions. Screws provided **do not** attach to all wall construction types. Anchors are not required if brackets are installed in stud.

# OPTIONAL MIRROR INSTALLATION

## TOOLS FOR ASSEMBLY

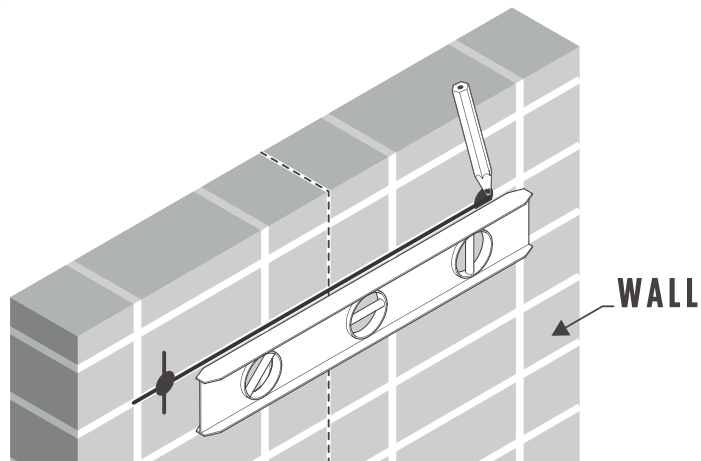
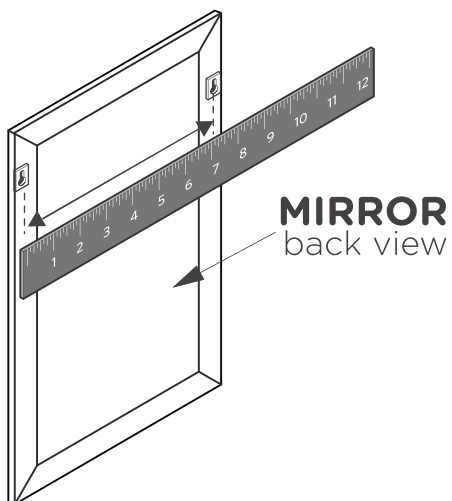


2

Mark the measured distance on the wall using a level

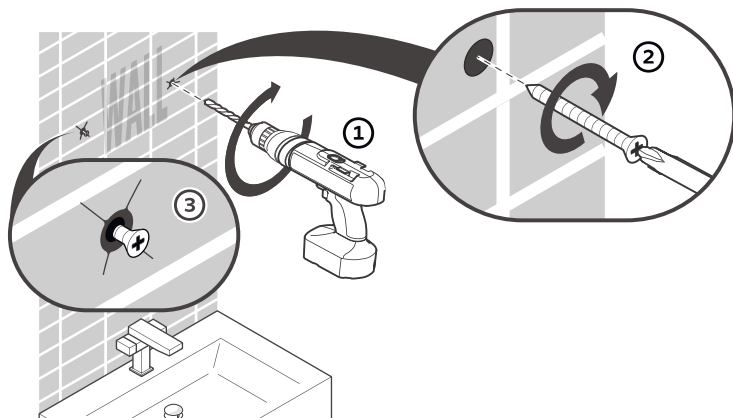
1

Measure the distance between the brackets on the back of the mirror



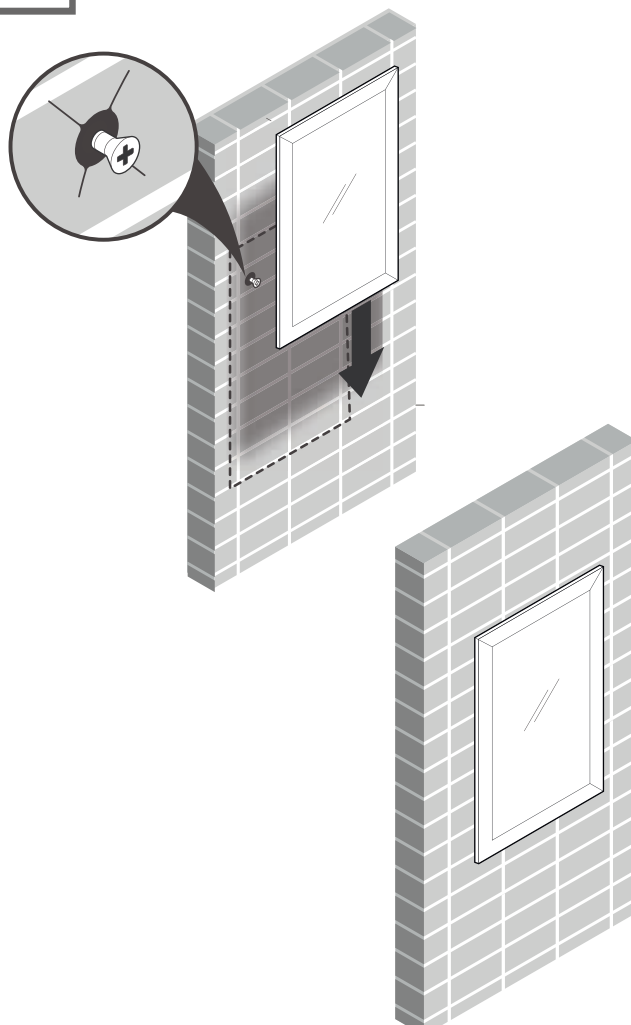
3

Once position is marked, drill 2 holes and insert anchors if stud is not available



4

Hang mirror on the wall



### IMPORTANT:

CONSULT AN EXPERT FOR THE PROPER SCREWS/BOLTS TO USE WHEN ATTACHING TO VARIOUS WALL CONSTRUCTIONS. SCREWS PROVIDED **DO NOT** ATTACH TO ALL WALL CONSTRUCTION TYPES.



FCB2304-I

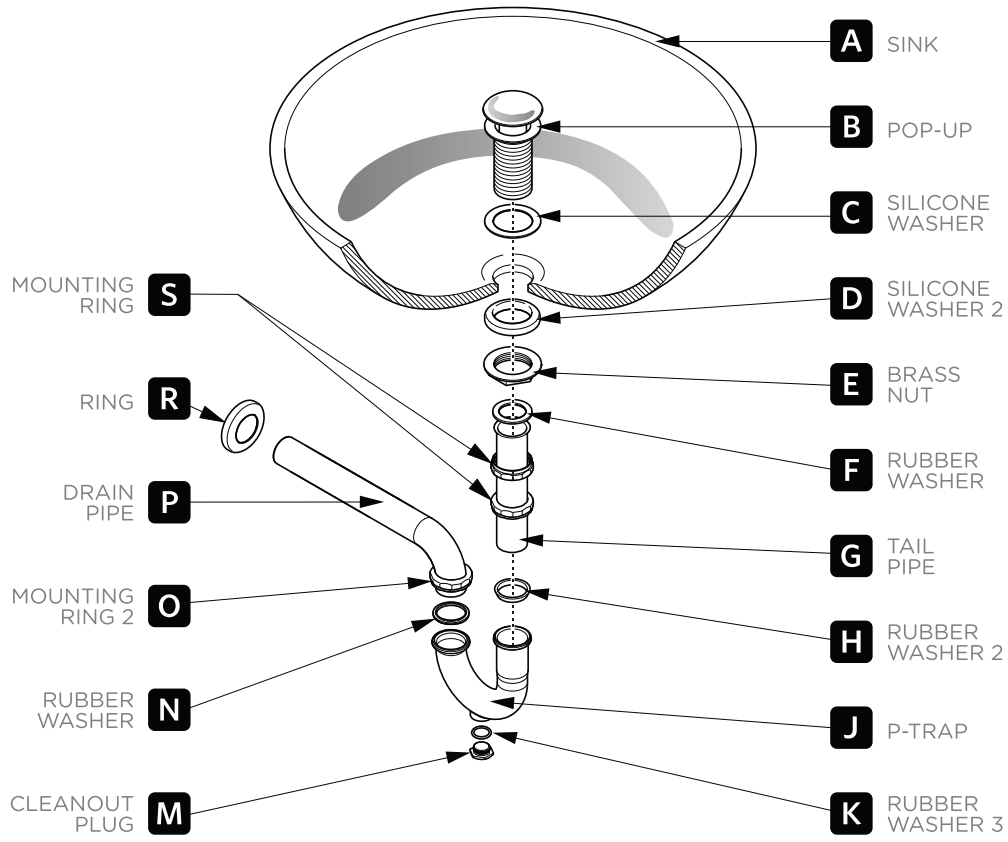
MANCHESTER

INSTALLATION GUIDE

PAGE 4

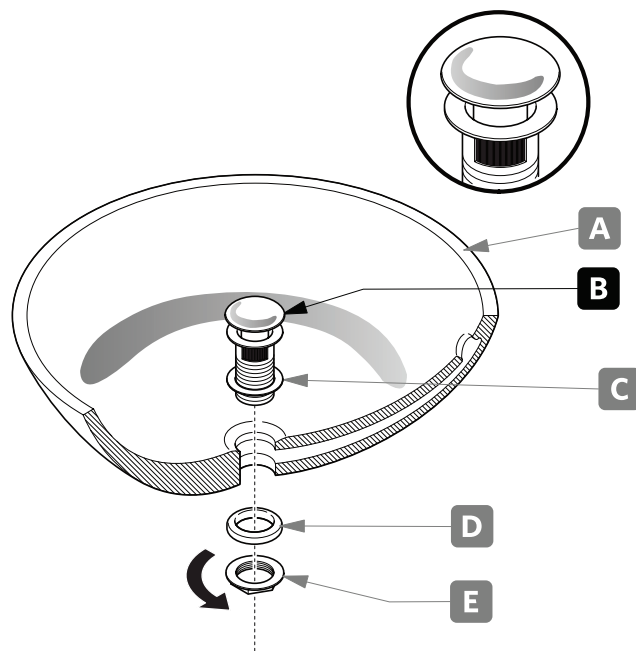
# INSTALLATION INSTRUCTIONS

Your item may appear slightly different from the illustration.



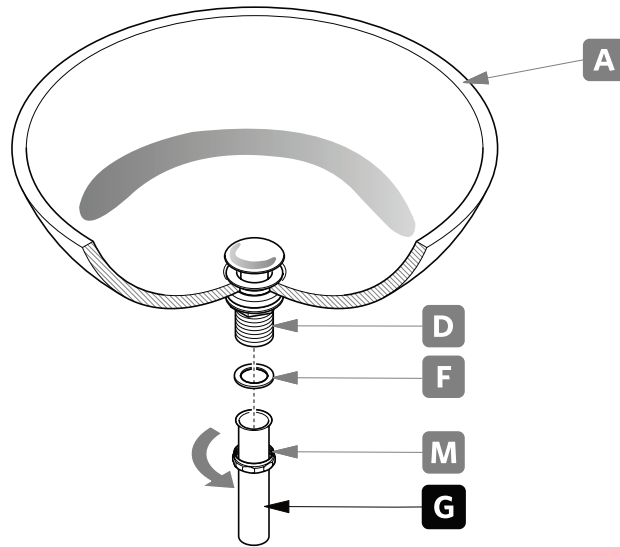
## POP-UP INSTALLATION

FOR SINKS WITH OVERFLOW



# OPTIONAL P-TRAP INSTALLATION

**1** Install tail pipe (**G**).



**2** Install P-trap (**J**).

