

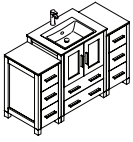


# FVN62-122412-UNS TORINO

## INSTALLATION GUIDE

### CONTENTS:

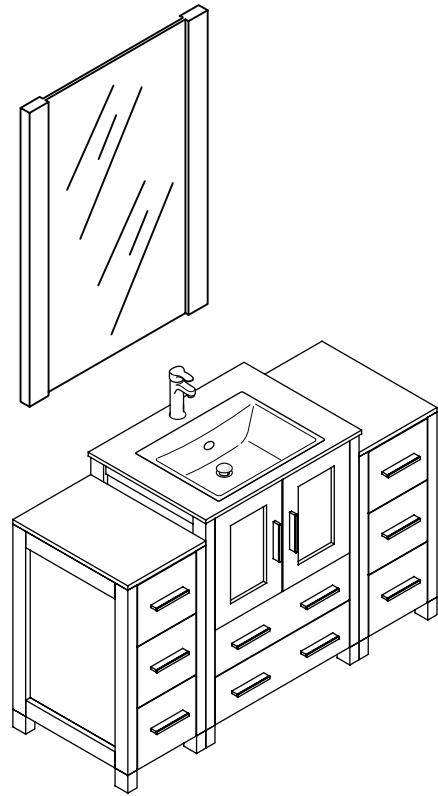
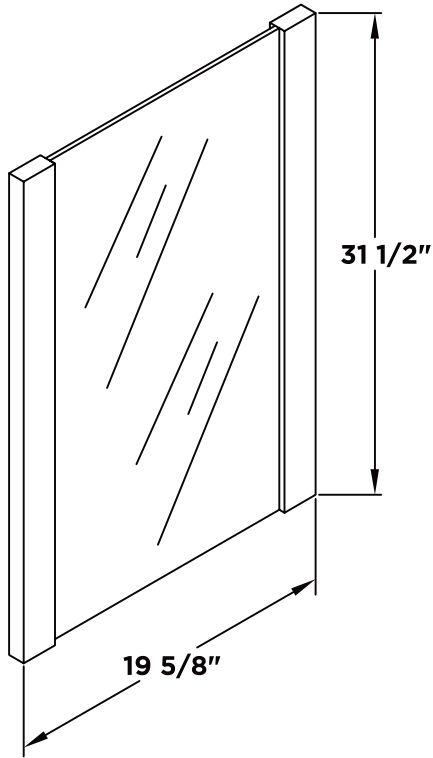
Cabinet .....	(FCB62-122412) .....	PAGE 3
Sink .....	(FVS6224) .....	PAGE 4
Mirror .....	(FMR6224) .....	PAGE 2



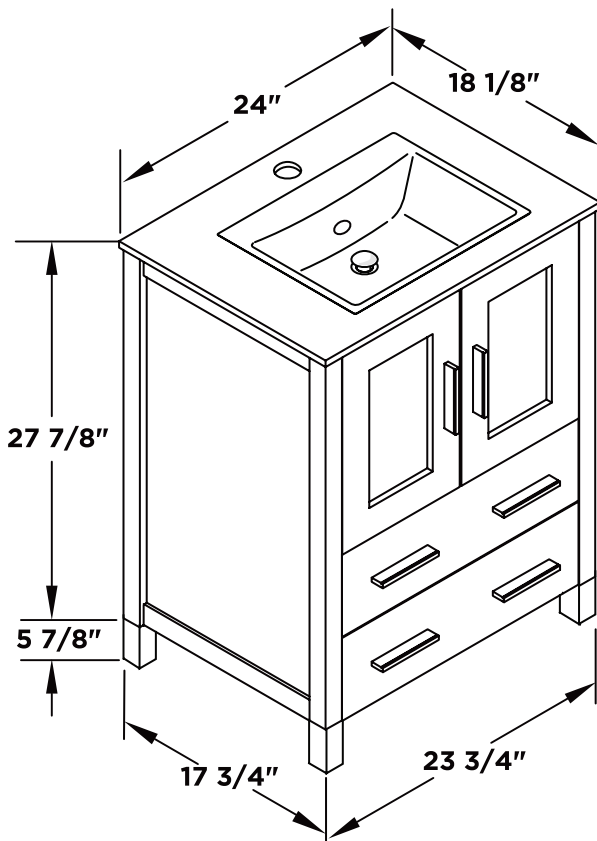
**FVN62-122412-UNS**  
**TORINO**  
**INSTALLATION GUIDE**



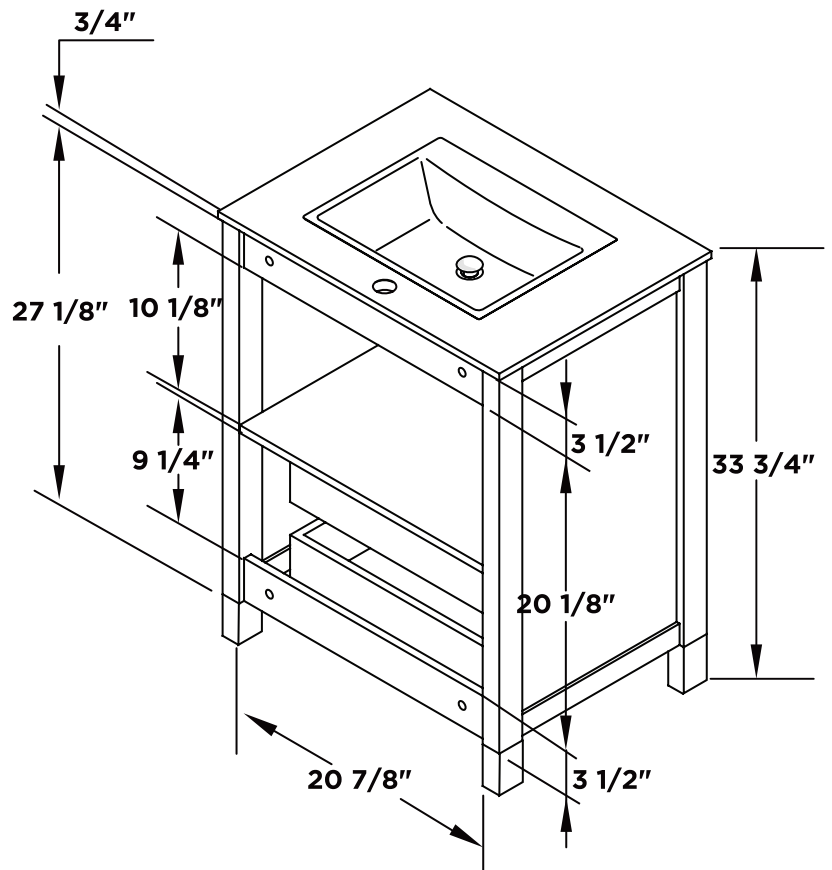
Mirror



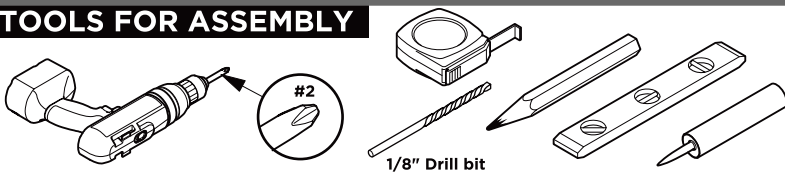
Vanity Front



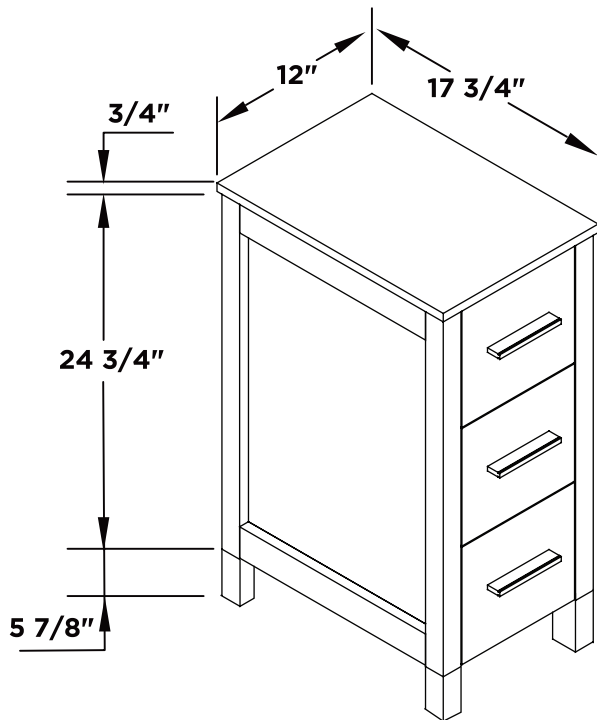
Vanity Back



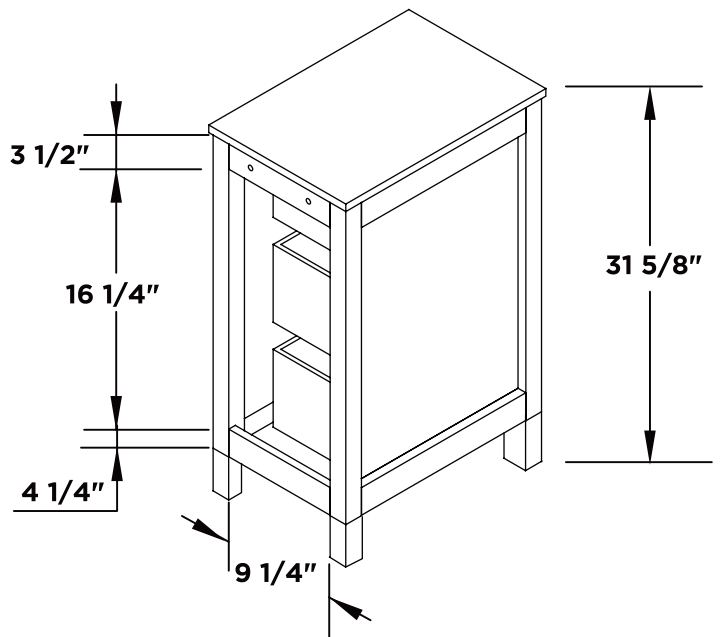
**TOOLS FOR ASSEMBLY**



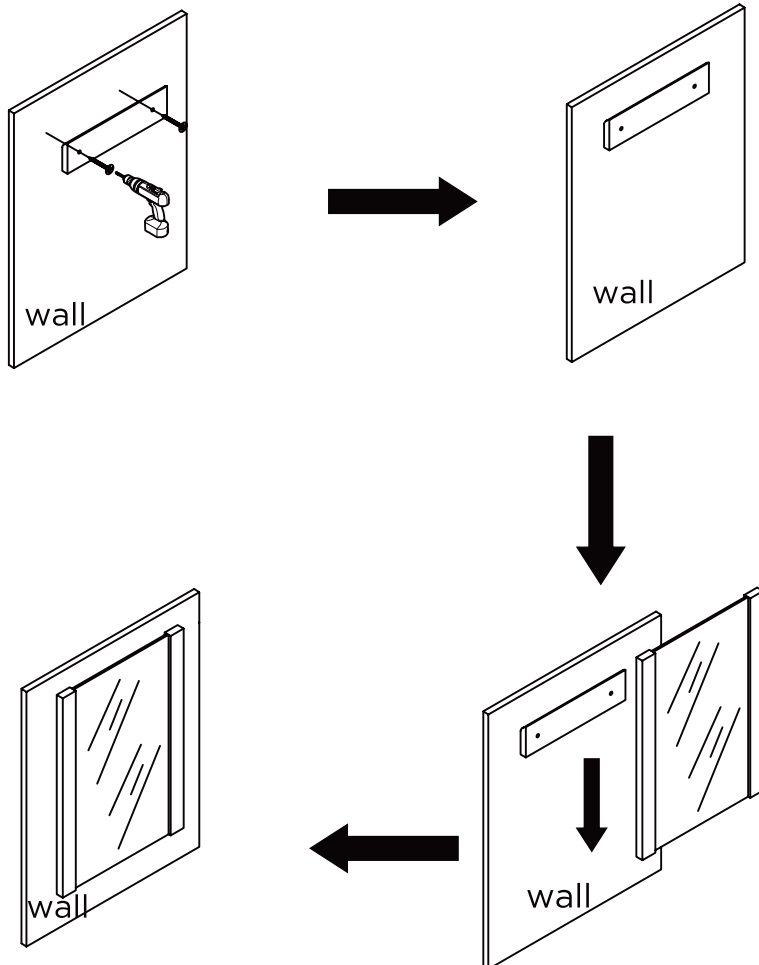
Side Cabinet Front 2PCS



Side Cabinet Back 2PCS

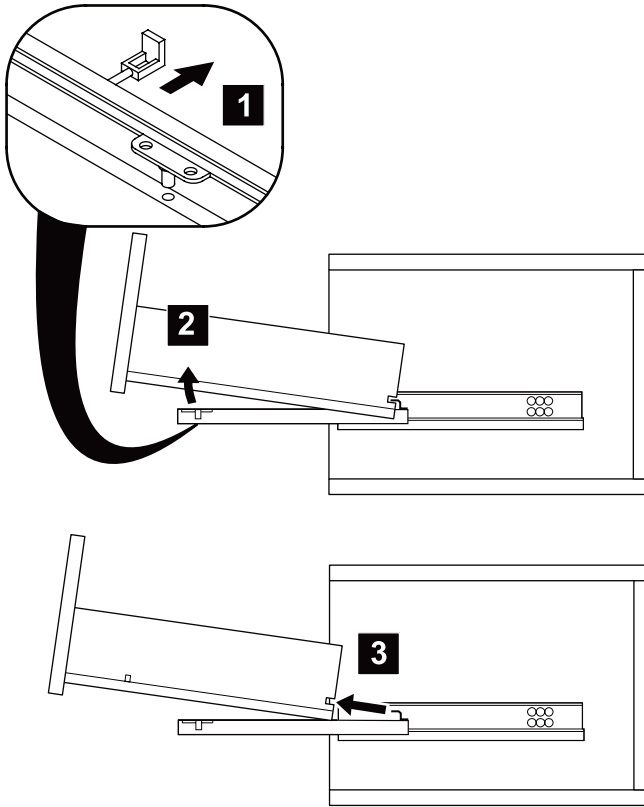


**MIRROR INSTALLATION**

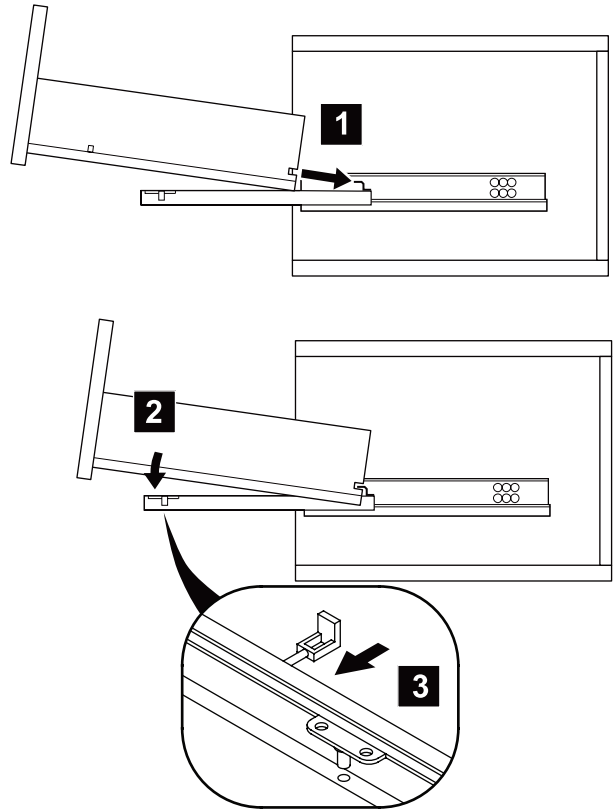


# DRAWER REMOVAL & INSTALLATION

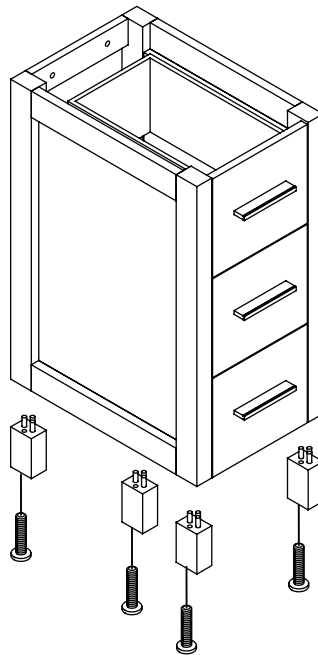
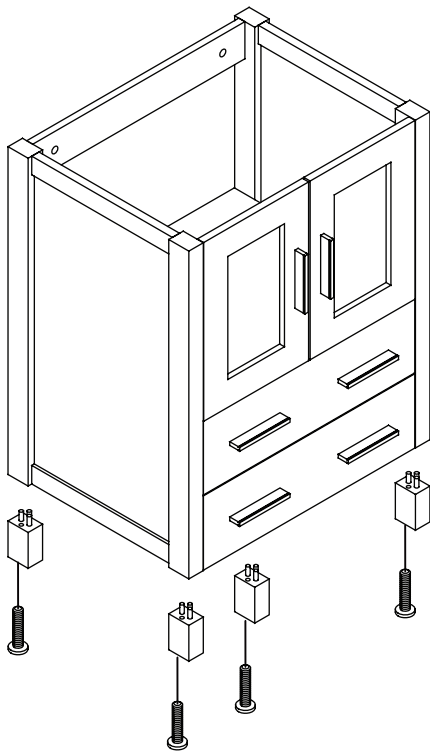
## REMOVAL



## INSTALLATION



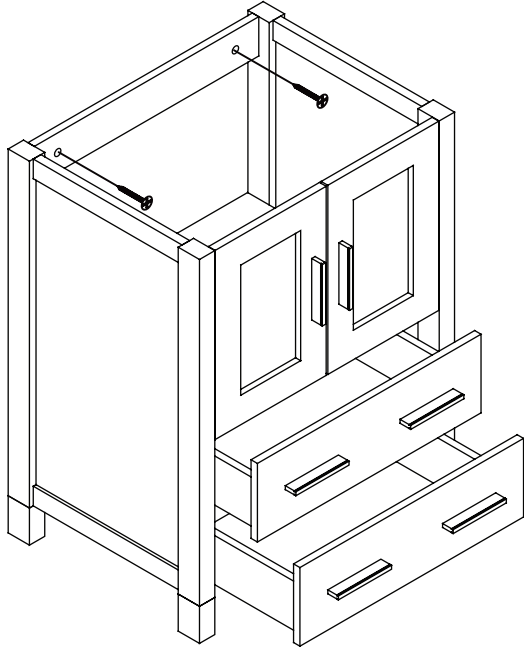
## 1 Install leg



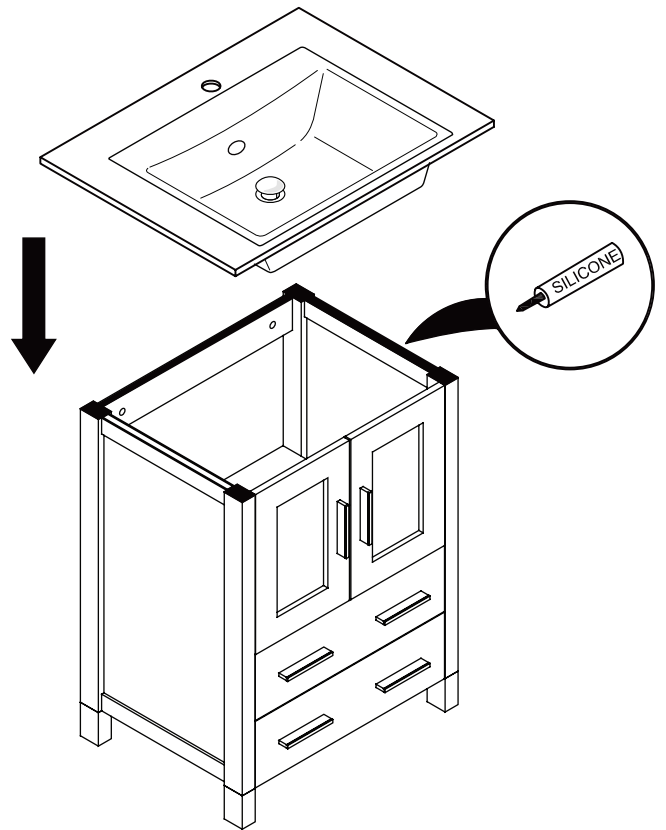
**2** Remove drawer

**3** Install cabinet

**IMPORTANT:** Consult an expert for the proper screws/bolts to use when attaching to various wall constructions. Screws provided do not attach to all wall construction types.

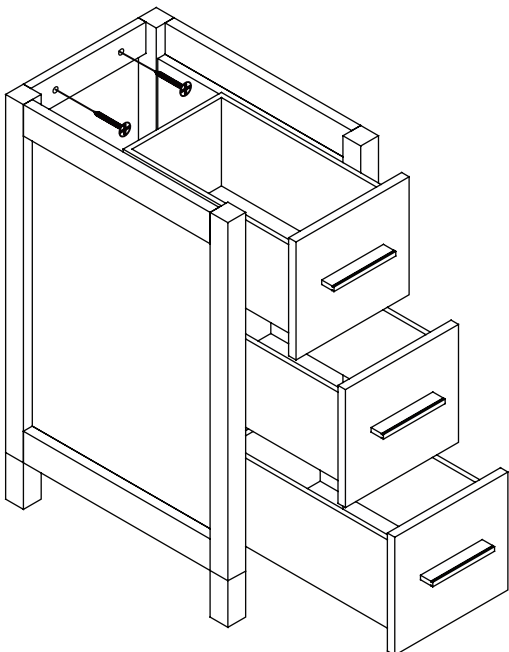


**4** Install top panel

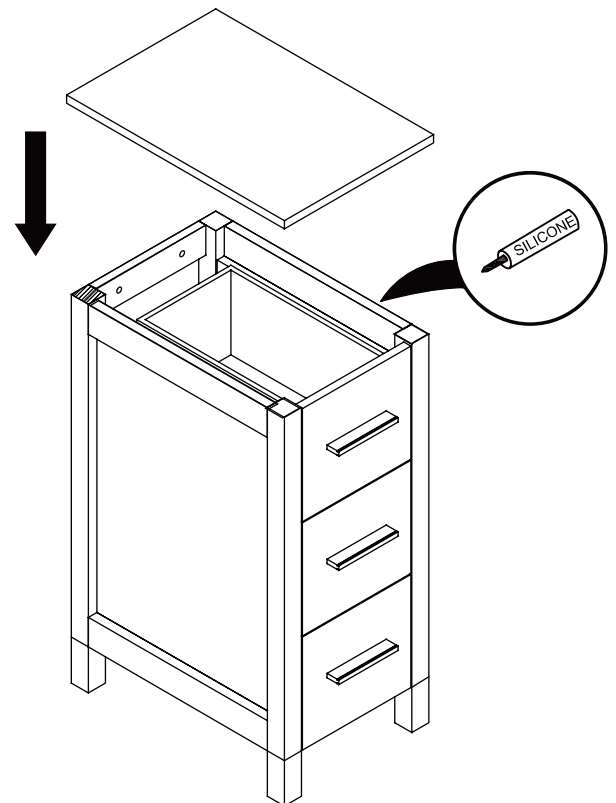


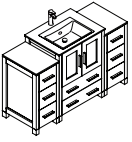
**5** Remove side cabinet drawer

**6** Install side cabinet

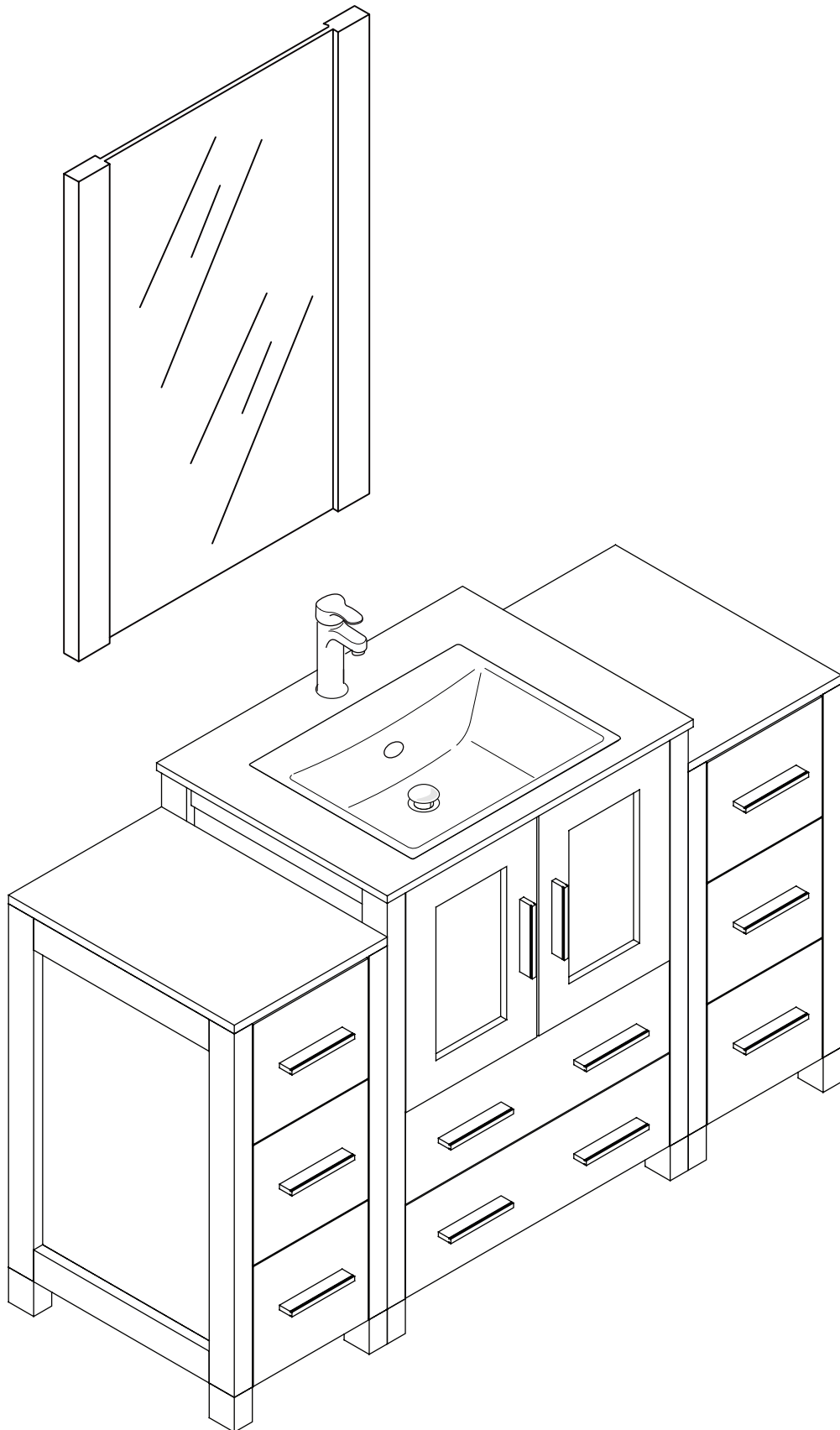


**7** Install side cabinet top panel





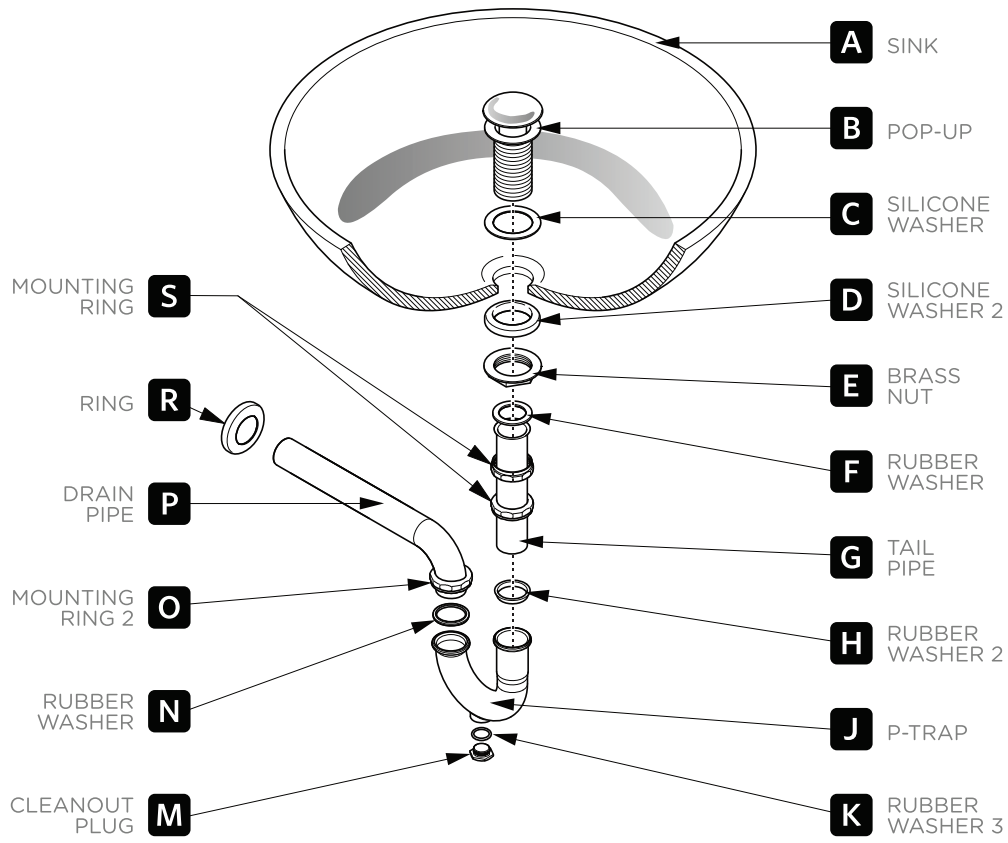
# FVN62-122412-UNS TORINO INSTALLATION GUIDE



# P-TRAP & POP-UP

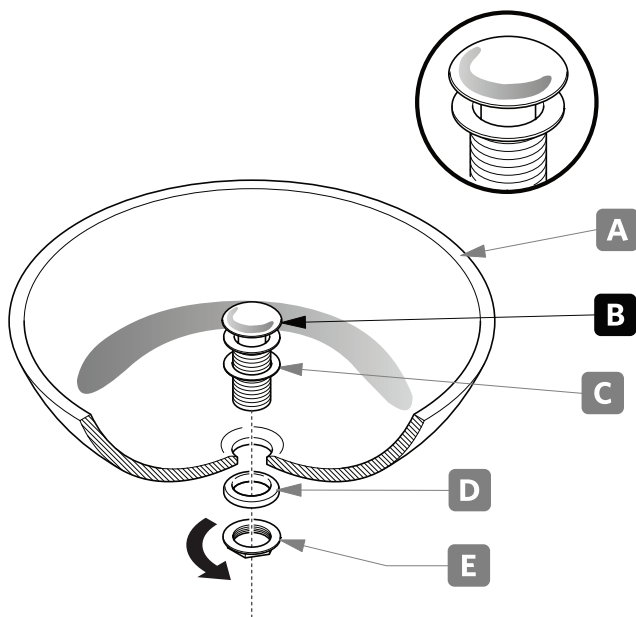
## INSTALLATION INSTRUCTIONS

Your item may appear slightly different from the illustration.



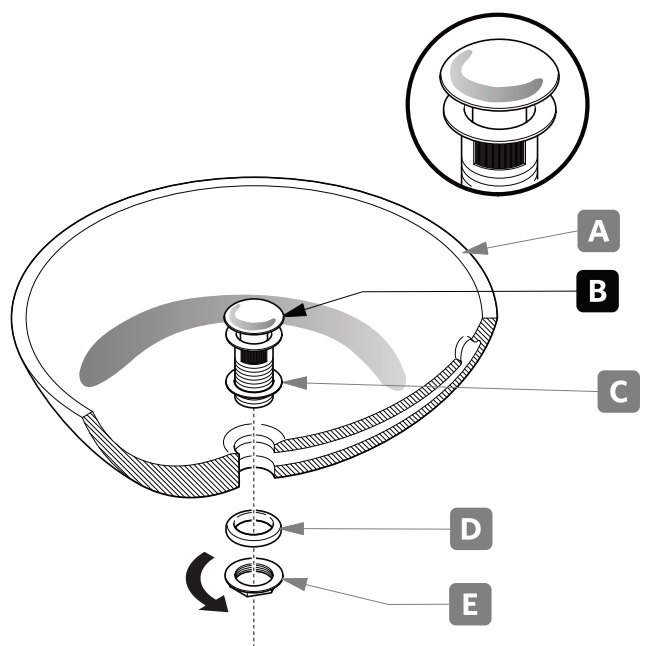
## POP-UP INSTALLATION

**FOR SINKS WITHOUT OVERFLOW**



OR

**FOR SINKS WITH OVERFLOW**



**FVN62-122412-UNS**

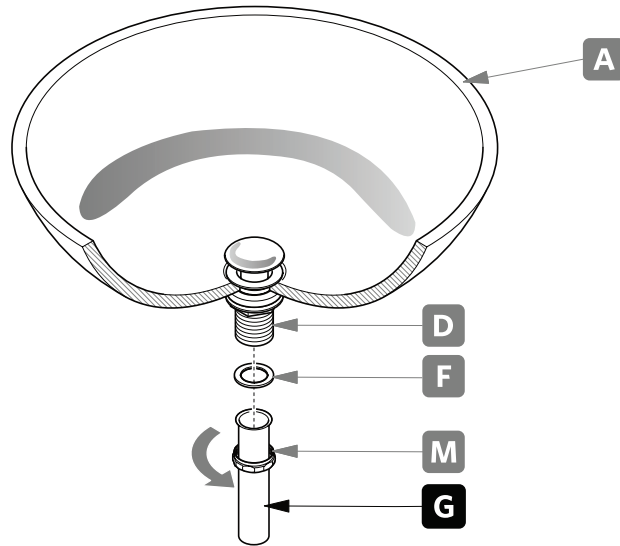
**TORINO**

**INSTALLATION GUIDE**

PAGE 6

# P-TRAP INSTALLATION

**1.** Install tail pipe (**G**).



**2.** Install P-trap (**J**).

