

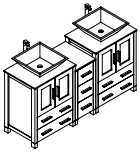


FVN62-241224-VSL TORINO

INSTALLATION GUIDE

CONTENTS:

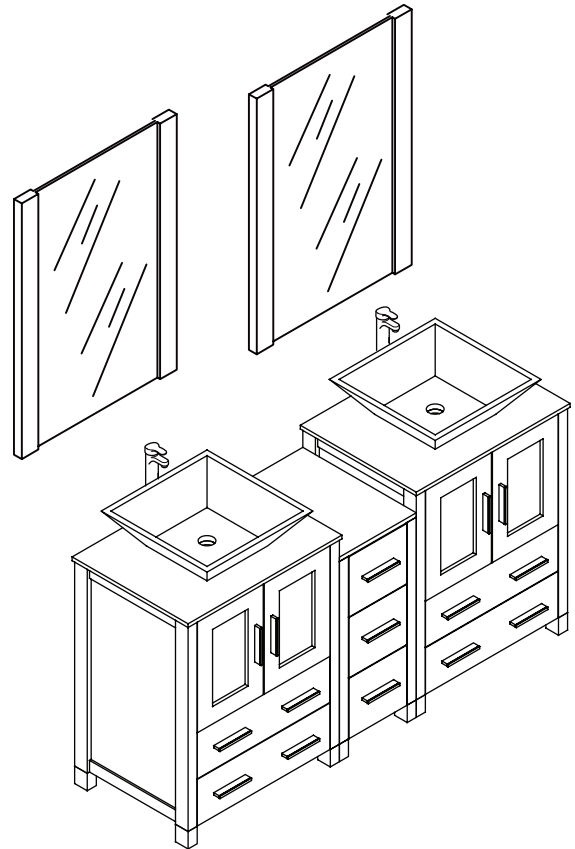
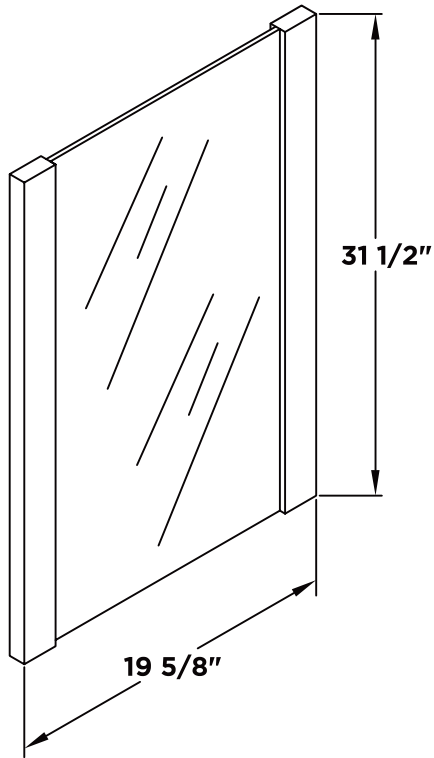
Cabinet	(FCB62-241224)	PAGE 3
Sink	(FVS6217)	PAGE 4
Mirror	(FMR6224)	PAGE 2
Countertop	(FCT6224)	PAGE 4



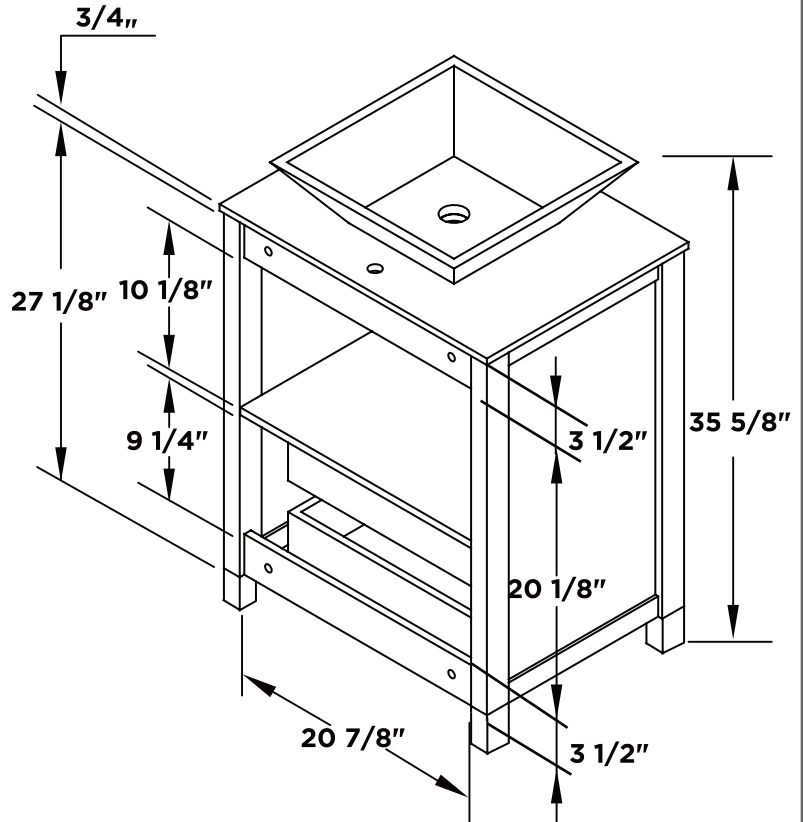
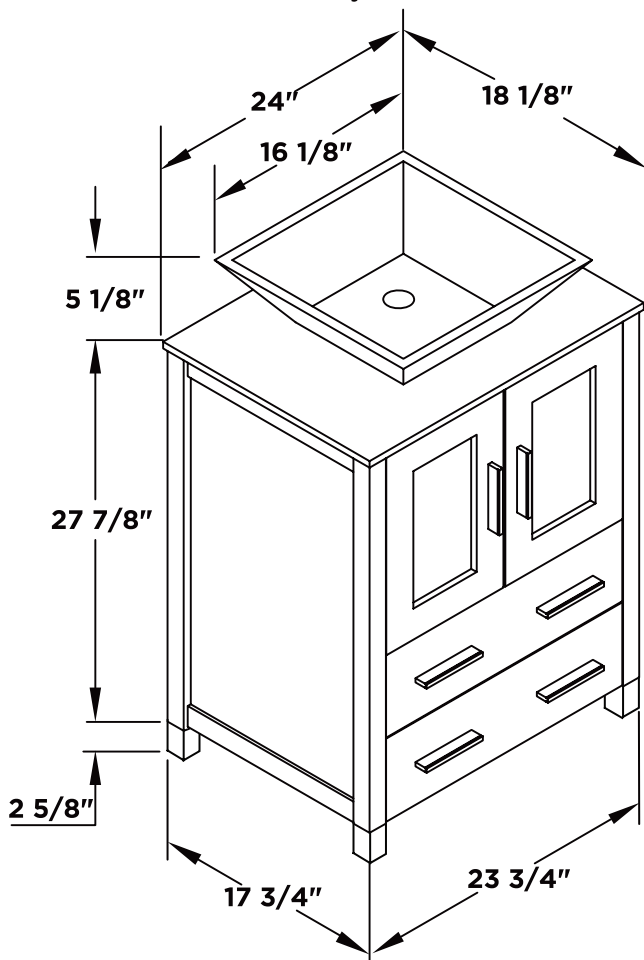
FVN62-241224-VSL TORINO INSTALLATION GUIDE



Mirror 2PCS

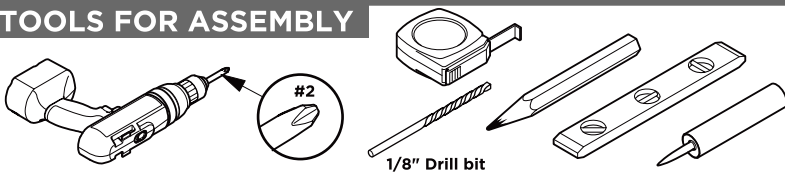


Vanity Front 2PCS

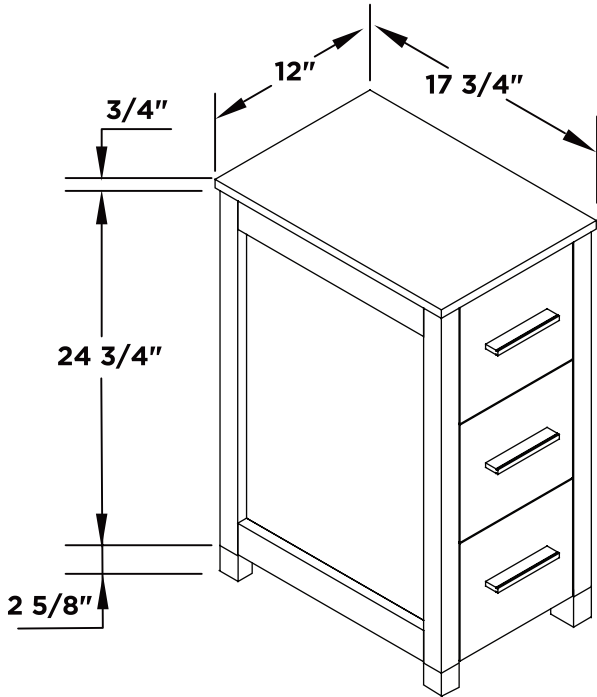


Vanity Back 2PCS

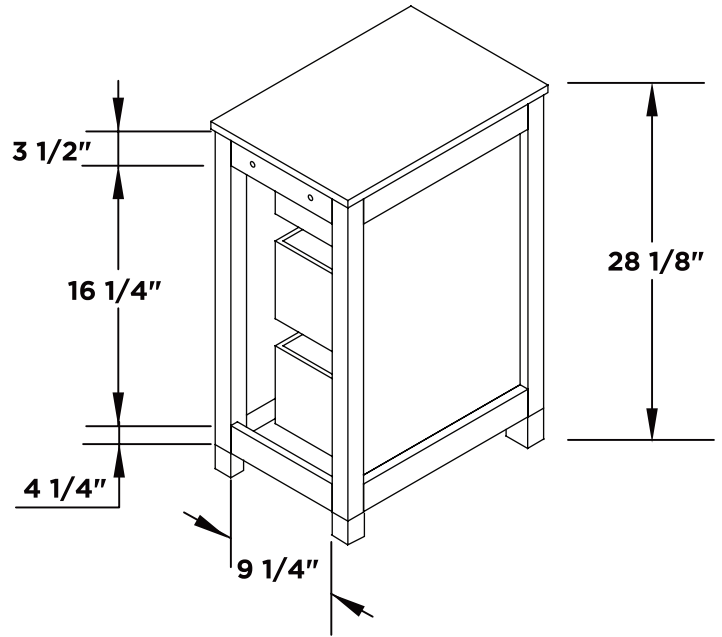
TOOLS FOR ASSEMBLY



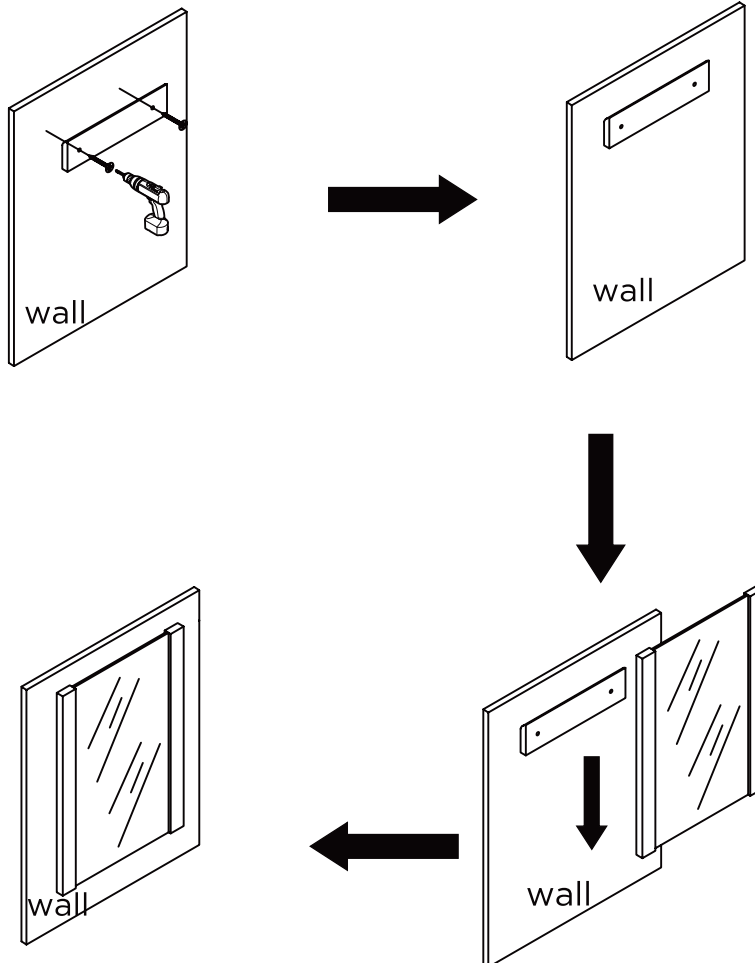
Side Cabinet Front



Side Cabinet Back

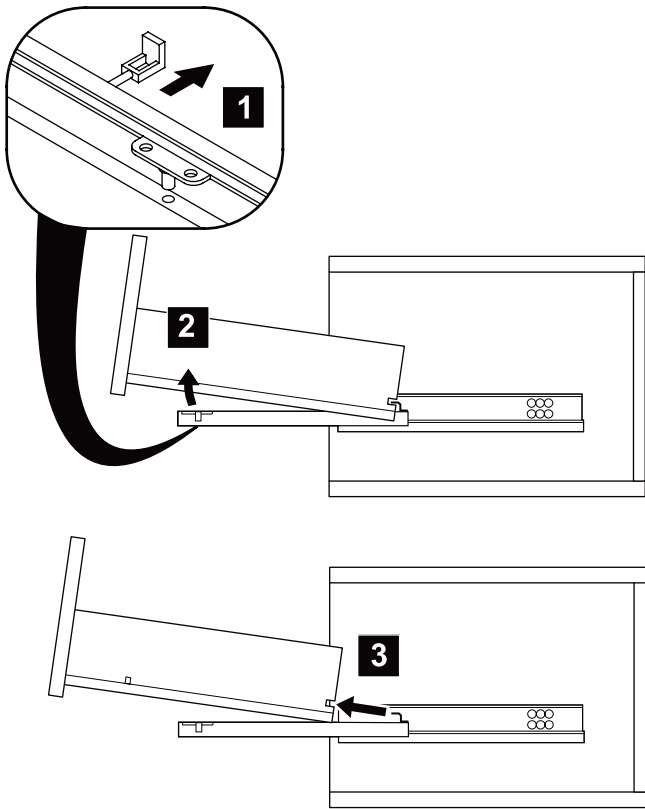


MIRROR INSTALLATION

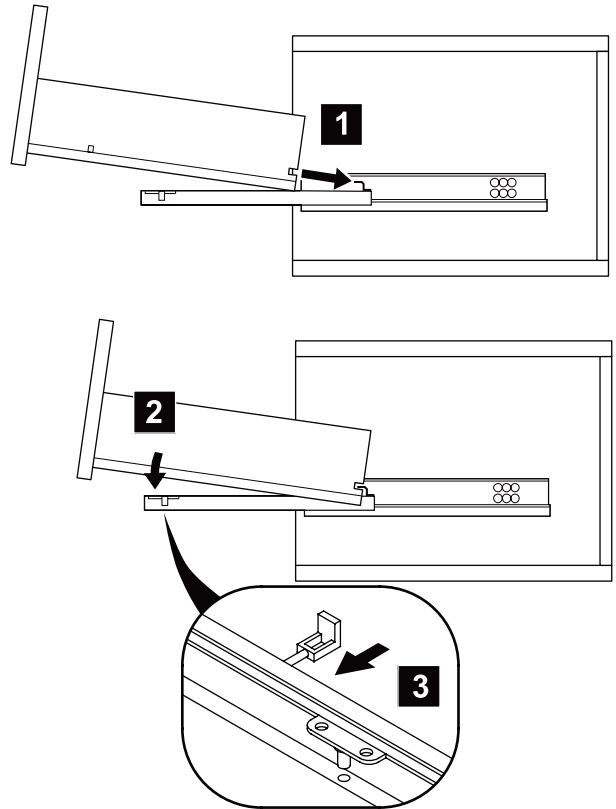


DRAWER REMOVAL & INSTALLATION

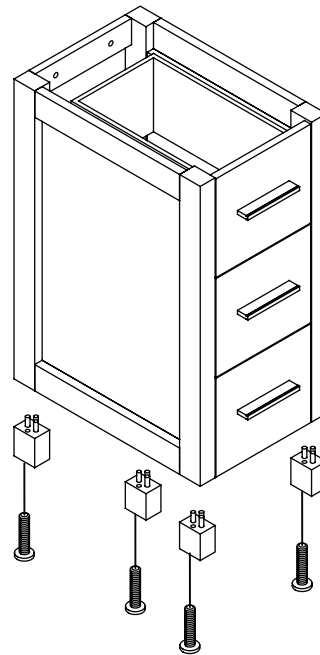
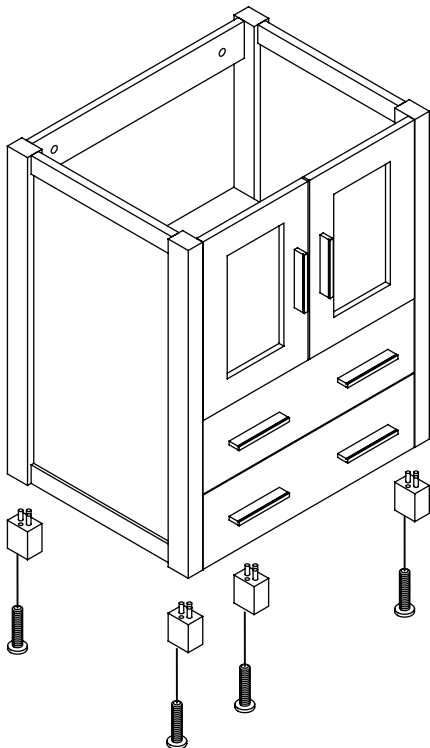
REMOVAL



INSTALLATION



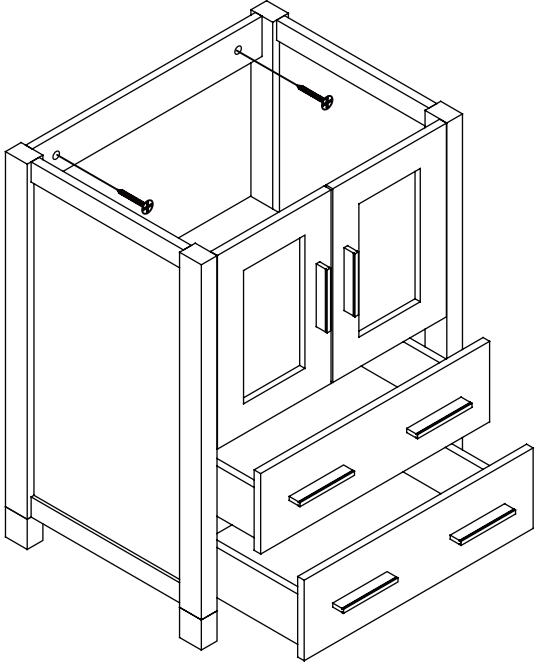
1 Install leg



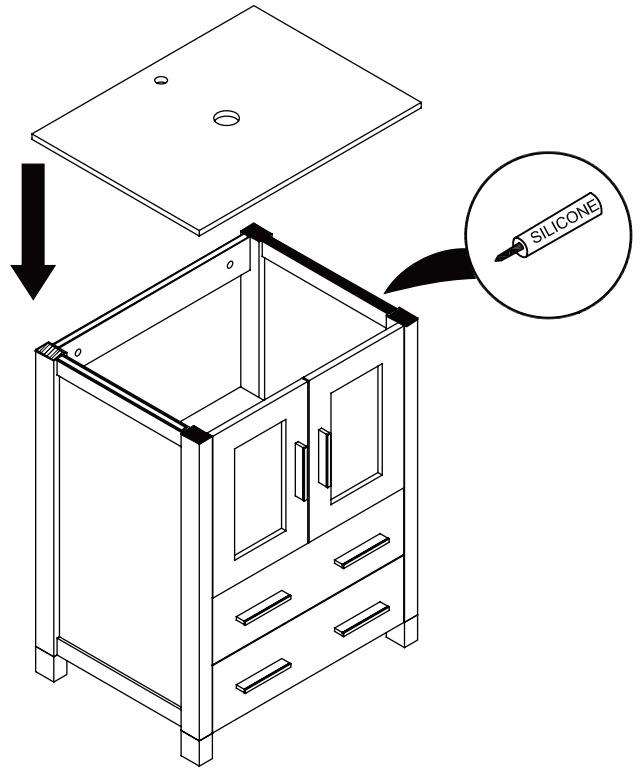
2 Remove drawer

3 Install cabinet

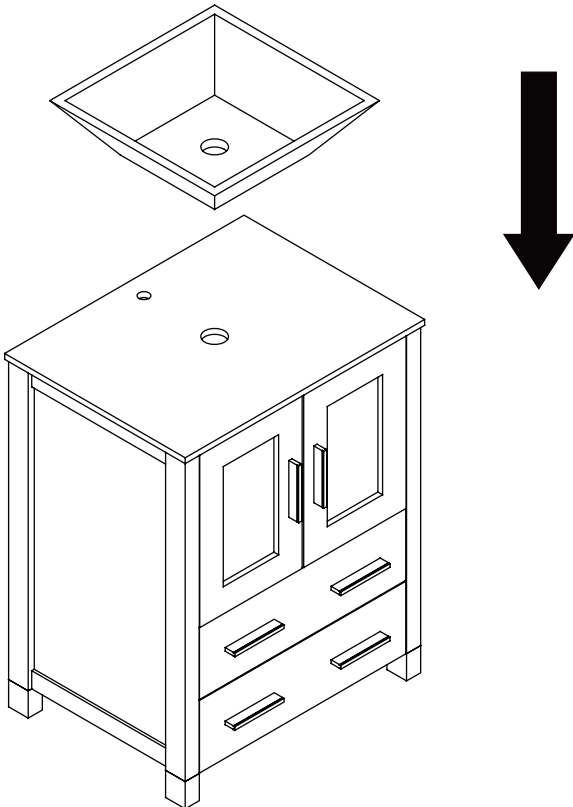
IMPORTANT: Consult an expert for the proper screws/bolts to use when attaching to various wall constructions. Screws provided do not attach to all wall construction types.



4 Install top panel

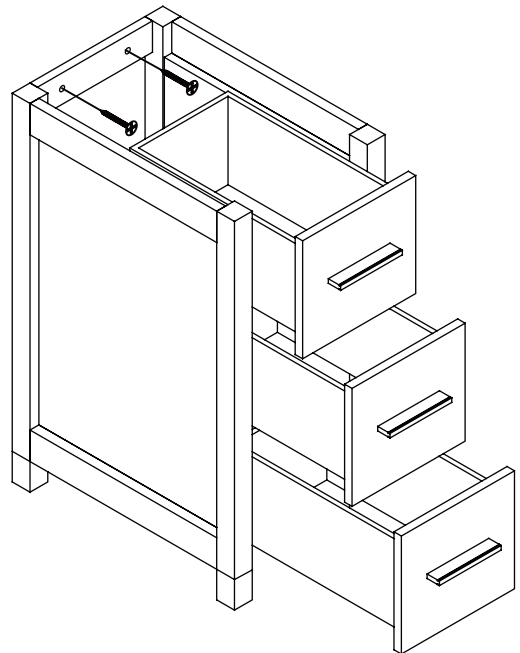


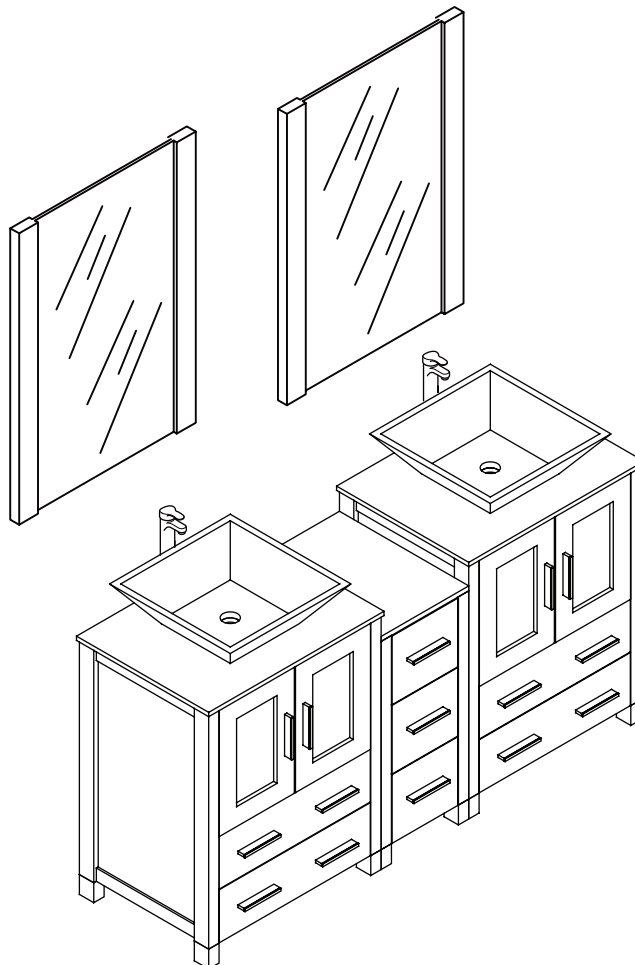
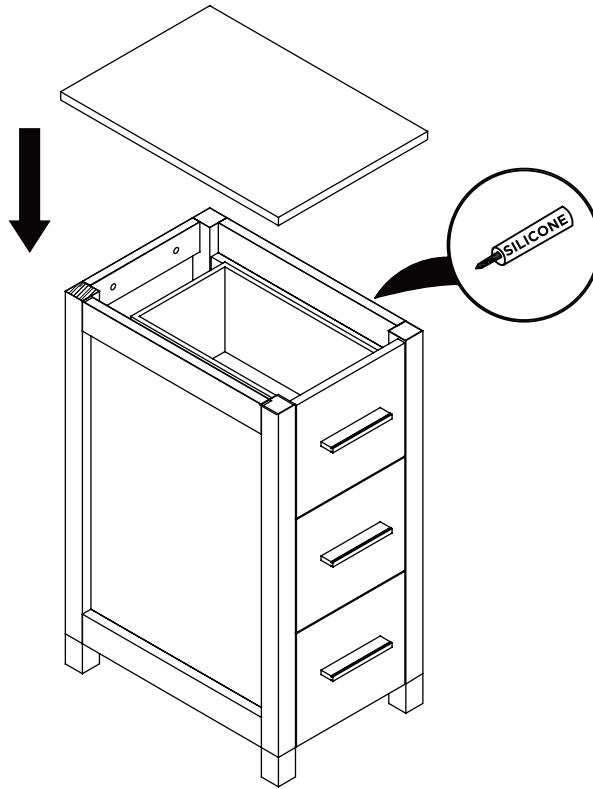
5 Install sink



6 Remove side cabinet drawer

7 Install side cabinet

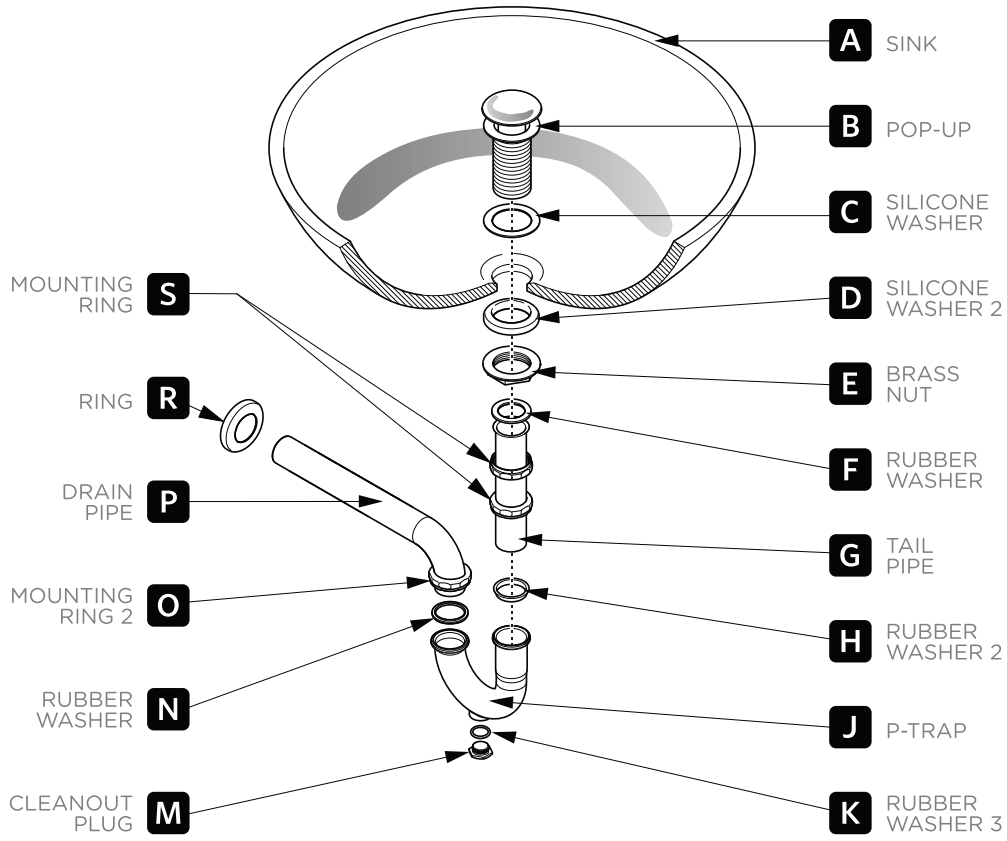




P-TRAP & POP-UP

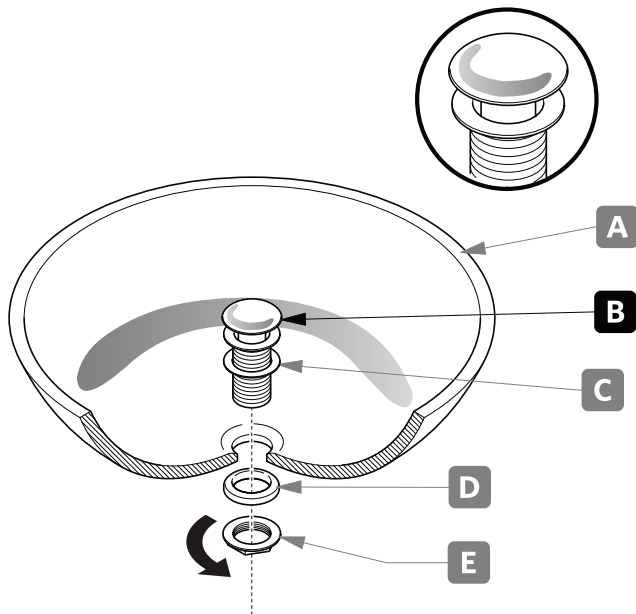
INSTALLATION INSTRUCTIONS

Your item may appear slightly different from the illustration.



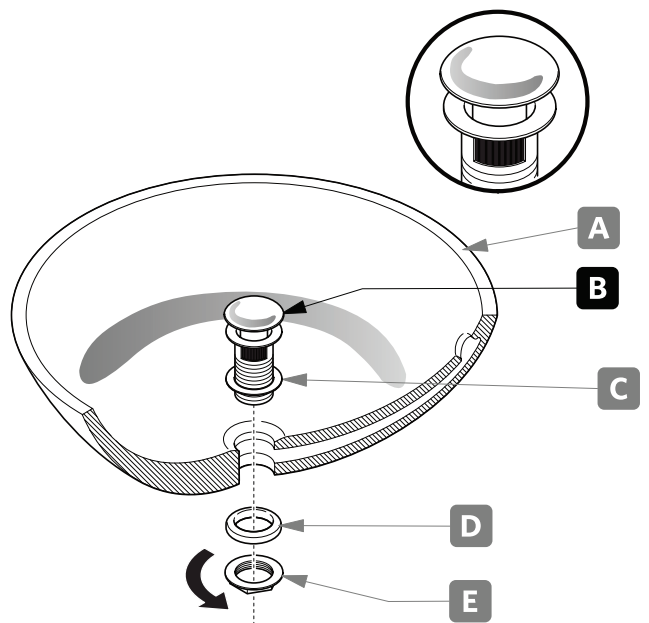
POP-UP INSTALLATION

FOR SINKS WITHOUT OVERFLOW



OR

FOR SINKS WITH OVERFLOW



FVN62-241224-VSL

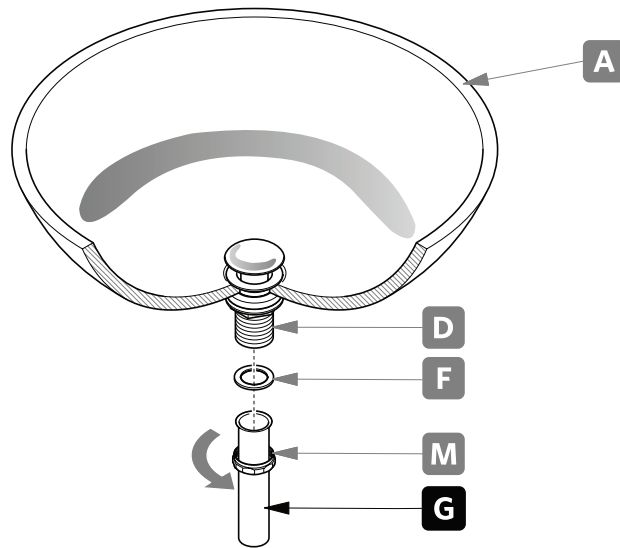
TORINO

INSTALLATION GUIDE

PAGE 6

P-TRAP INSTALLATION

1. Install tail pipe (**G**).



2. Install P-trap (**J**).

