



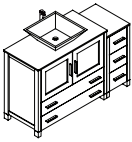
# FVN62-3612-VSL

# TORINO

## INSTALLATION GUIDE

### CONTENTS:

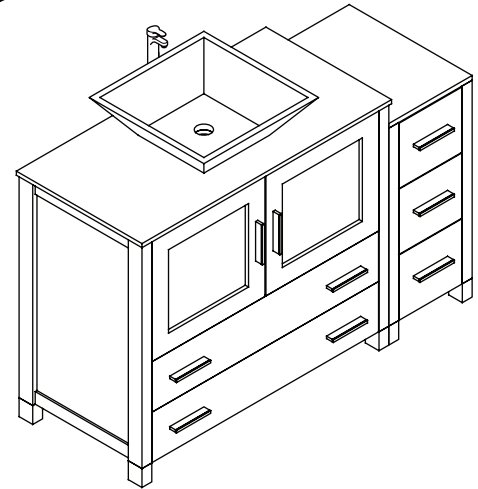
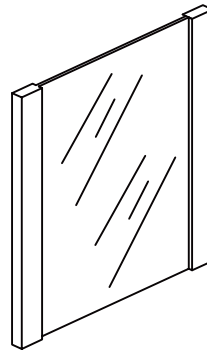
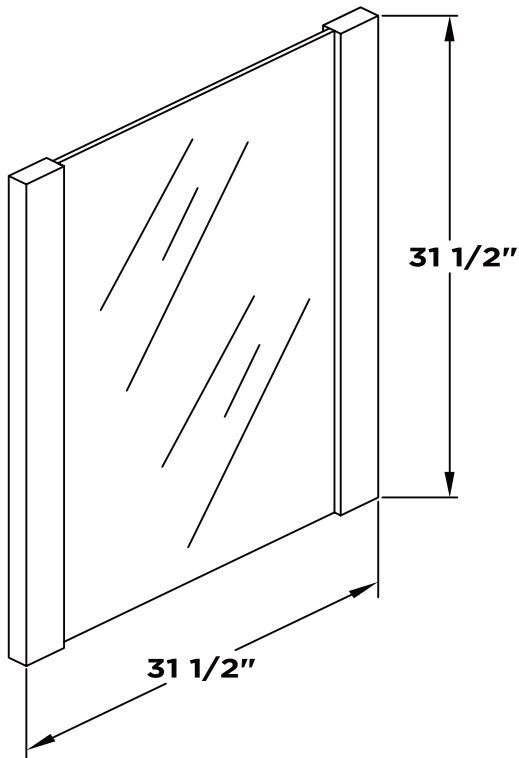
Cabinet	(FCB62-3612)	PAGE 3
Sink	(FVS6217)	PAGE 4
Mirror	(FMR6236)	PAGE 2
Countertop	(FCT6236)	PAGE 4



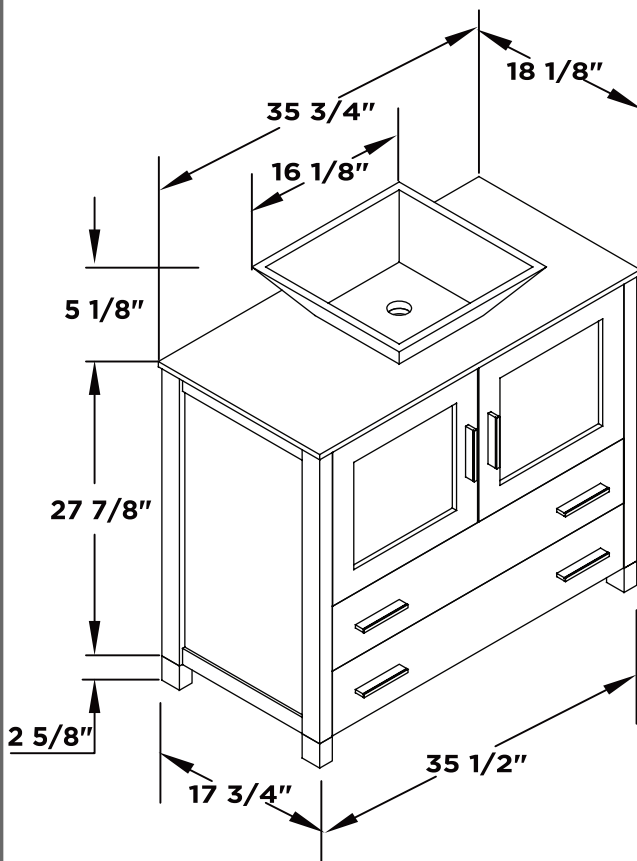
**FVN62-3612-VSL**  
**TORINO**  
**INSTALLATION GUIDE**



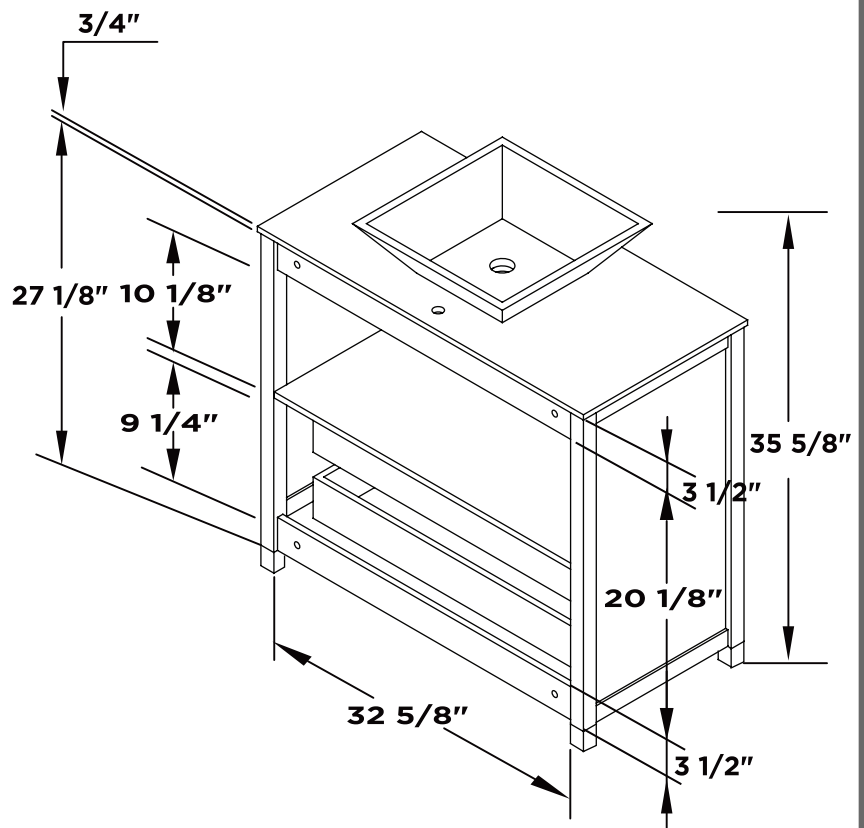
Mirror



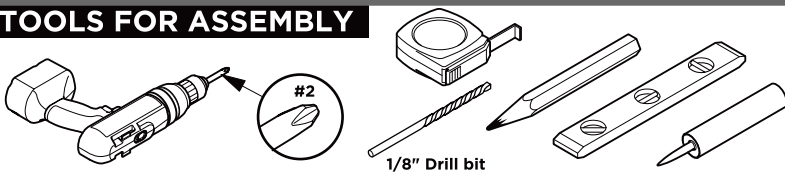
Vanity Front



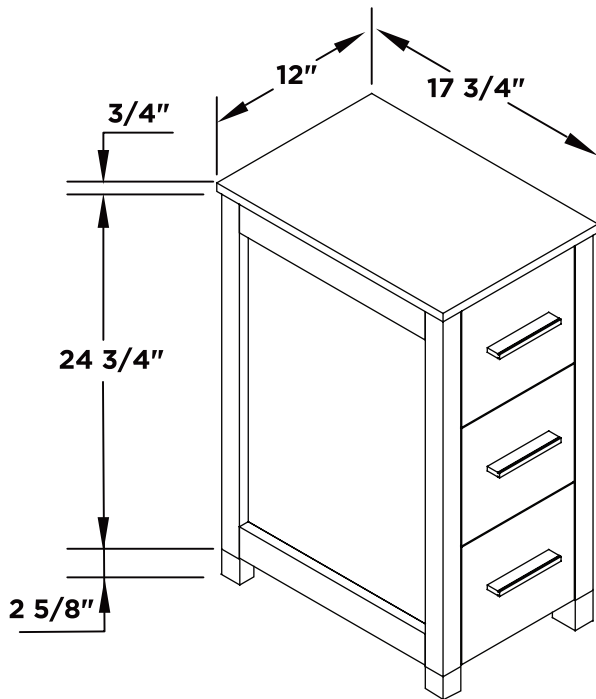
Vanity Back



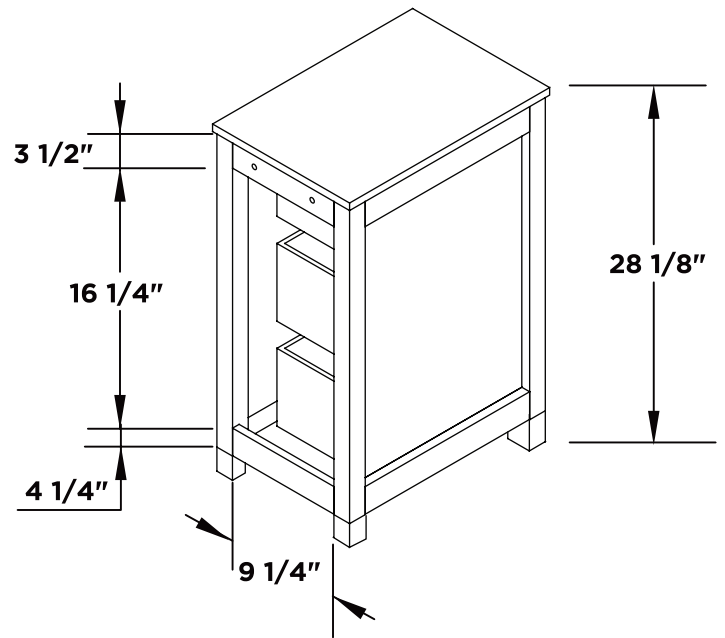
## TOOLS FOR ASSEMBLY



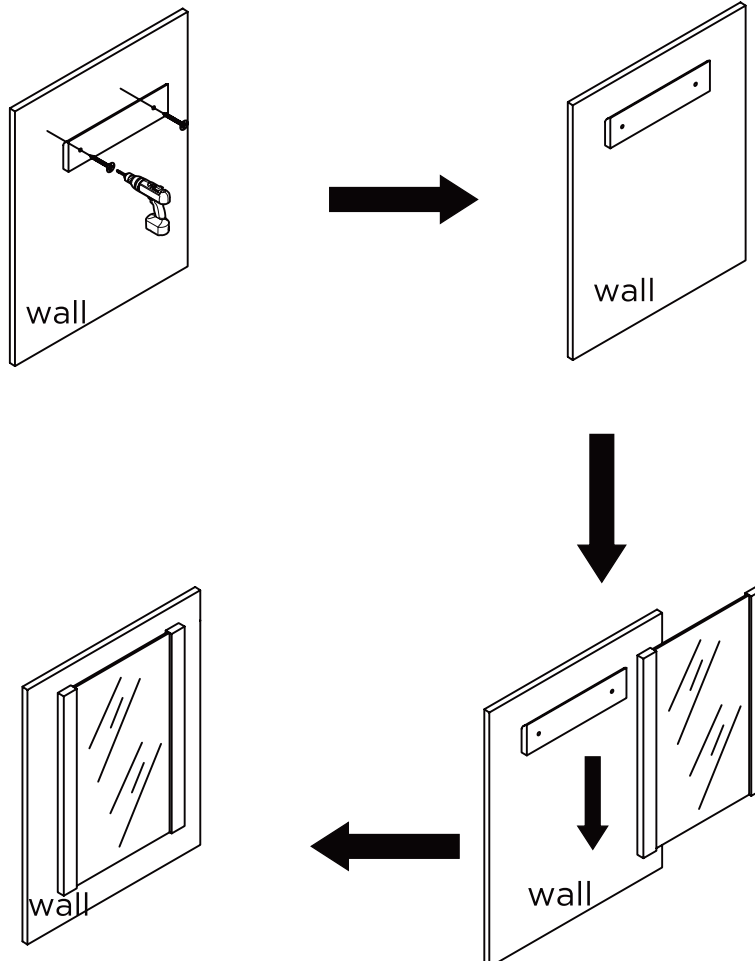
Side Cabinet Front



Side Cabinet Back

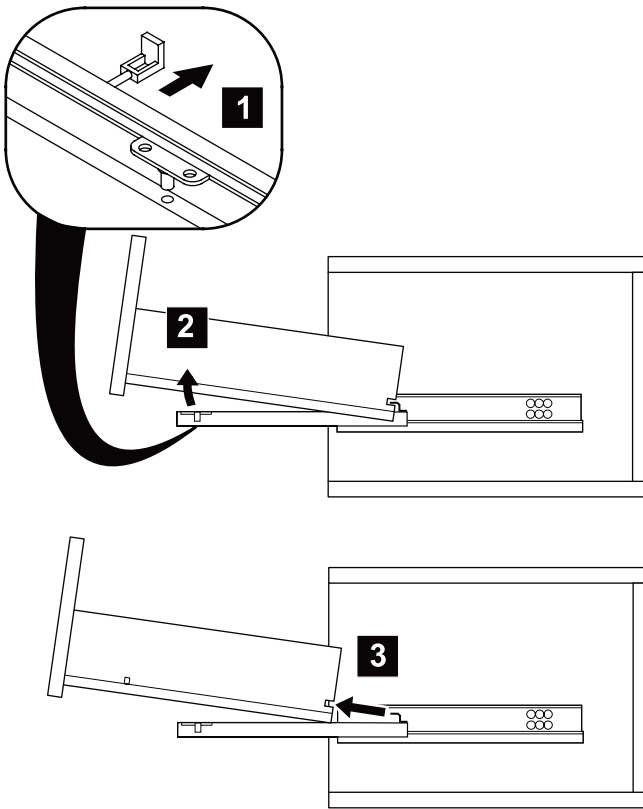


## MIRROR INSTALLATION

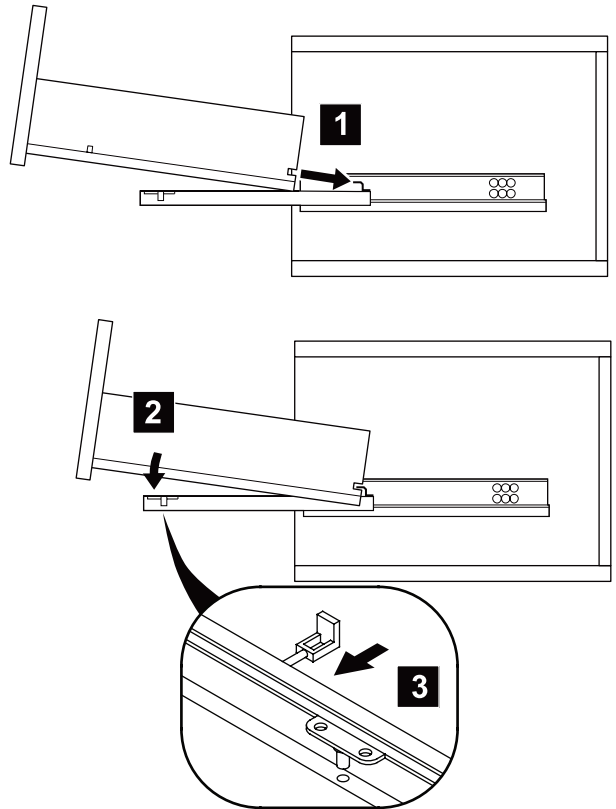


# DRAWER REMOVAL & INSTALLATION

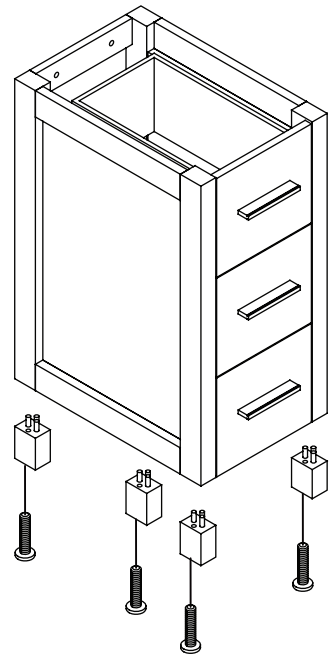
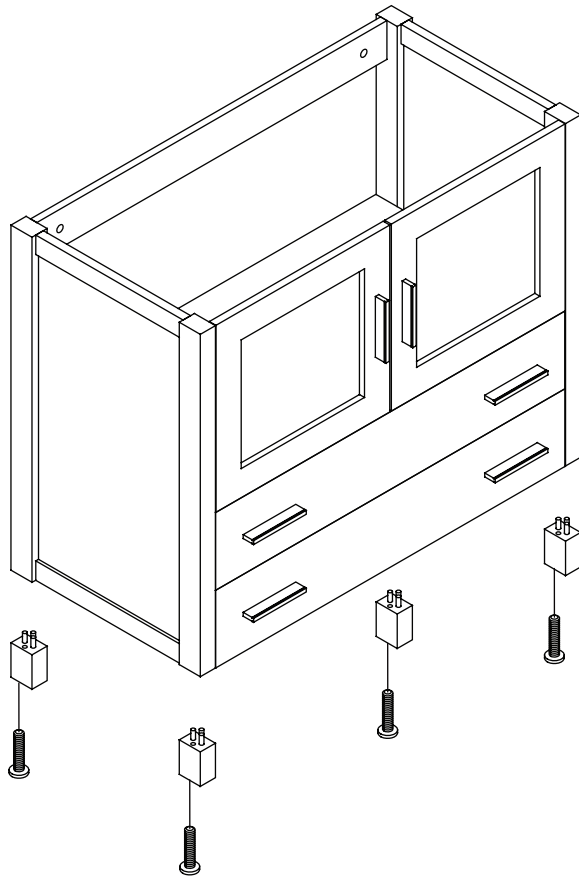
## REMOVAL



## INSTALLATION



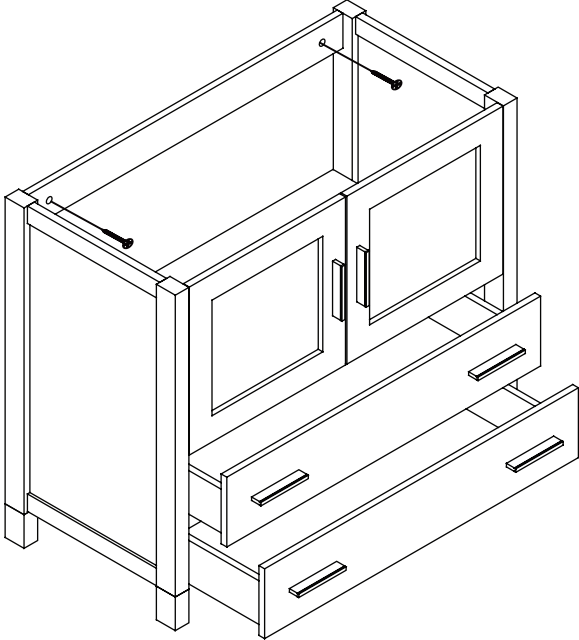
## 1 Install leg



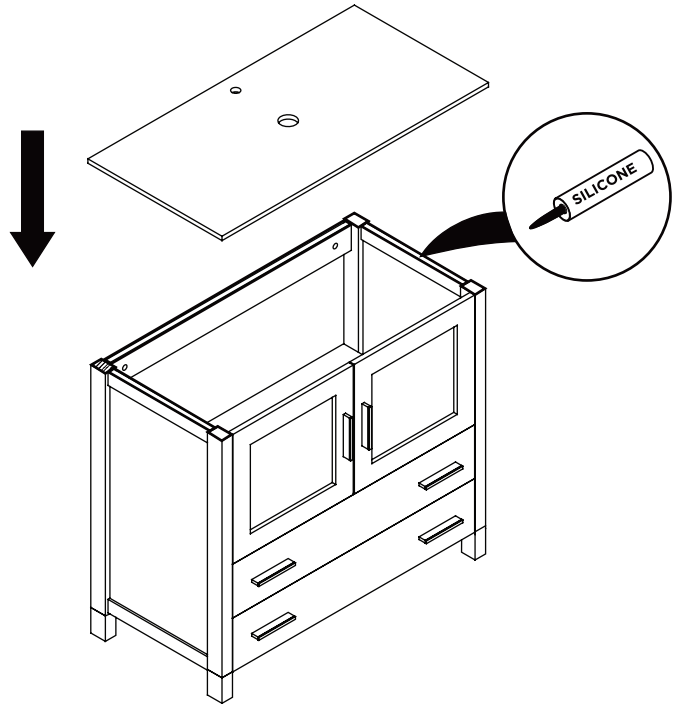
**2** Remove drawer

**3** Install cabinet

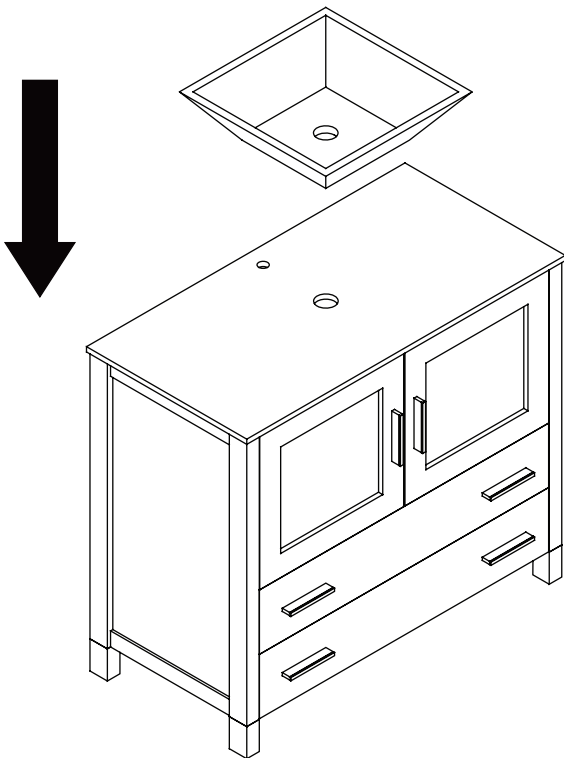
**IMPORTANT:** Consult an expert for the proper screws/bolts to use when attaching to various wall constructions. Screws provided do not attach to all wall construction types.



**4** Install top panel

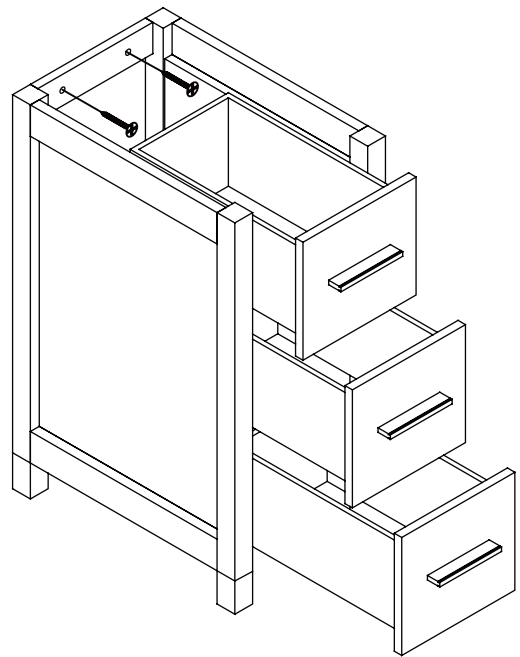


**5** Install sink



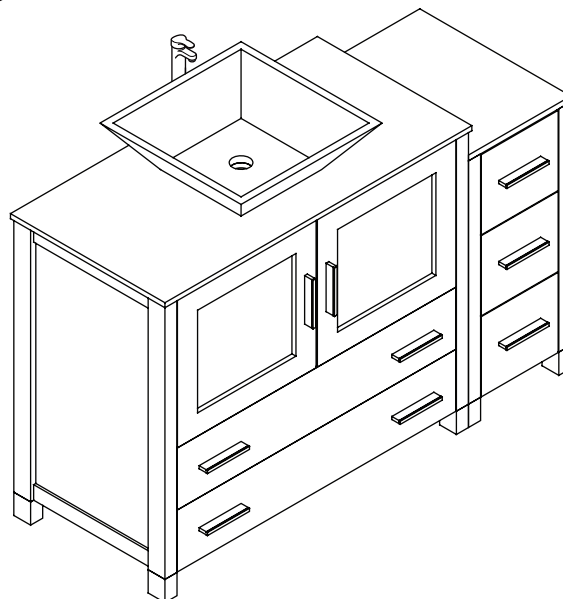
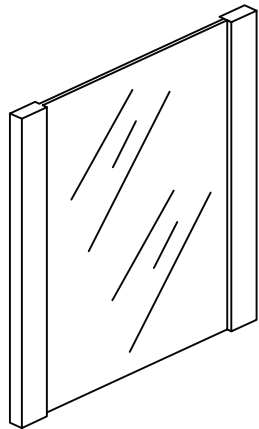
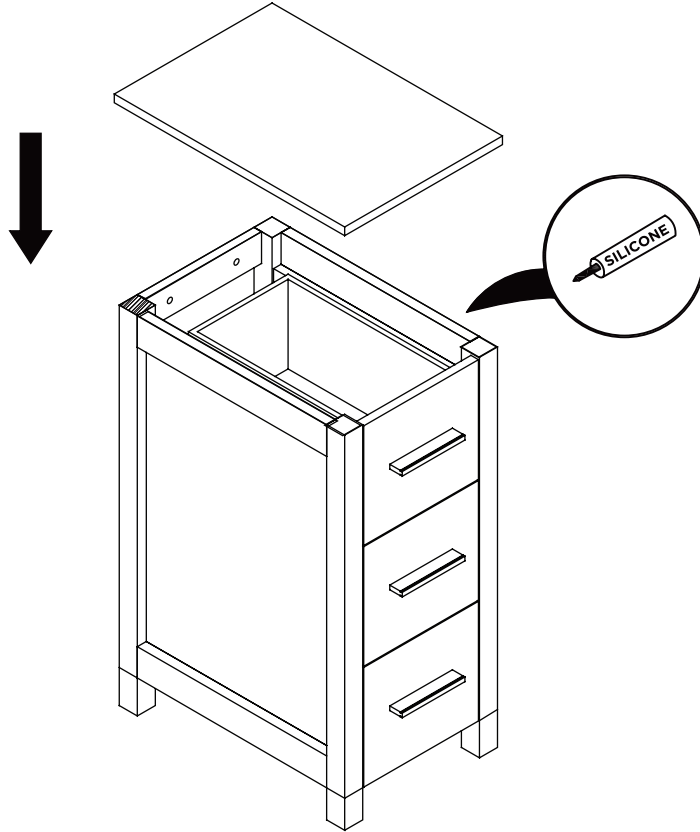
**6** Remove side cabinet drawer

**7** Install side cabinet



8

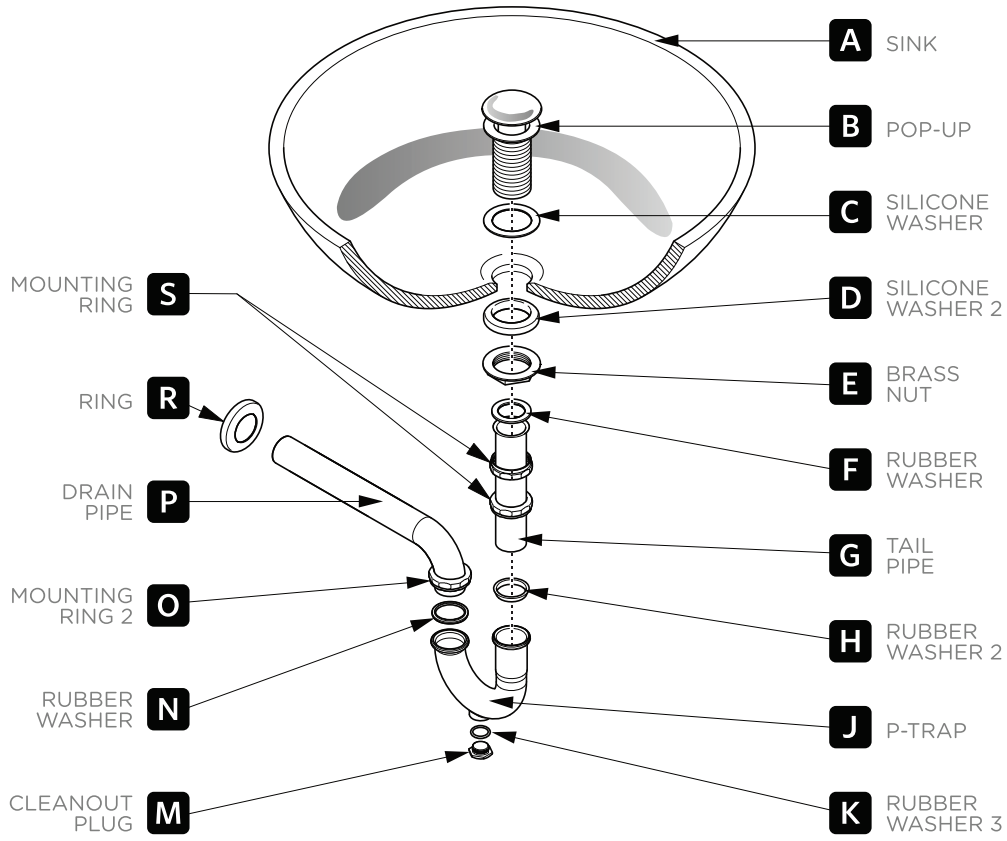
Install side cabinet top panel



# P-TRAP & POP-UP

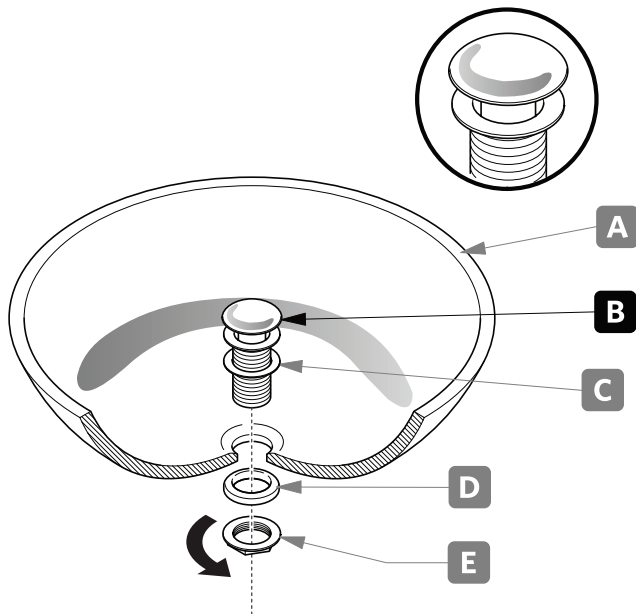
## INSTALLATION INSTRUCTIONS

Your item may appear slightly different from the illustration.



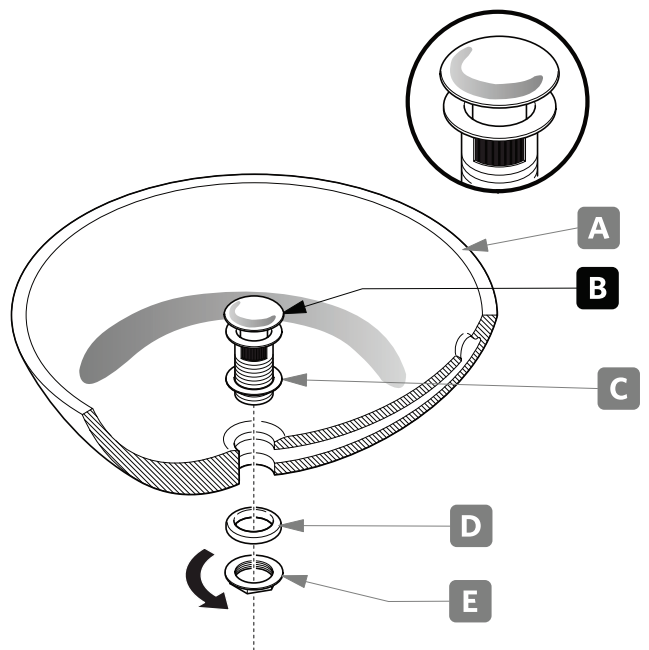
## POP-UP INSTALLATION

**FOR SINKS WITHOUT OVERFLOW**



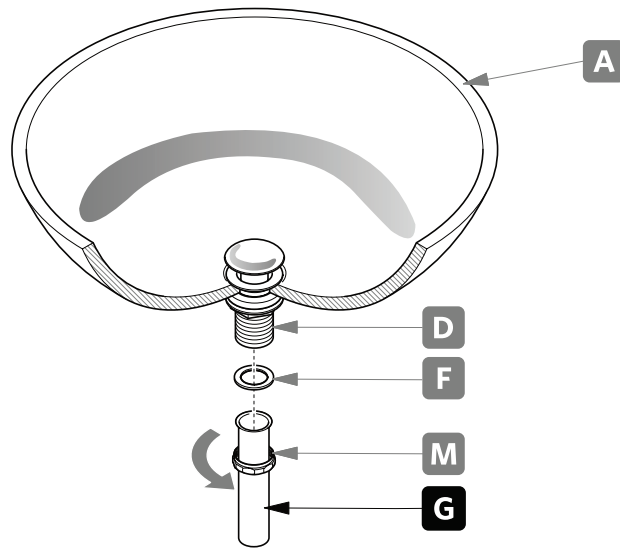
OR

**FOR SINKS WITH OVERFLOW**



# P-TRAP INSTALLATION

**1.** Install tail pipe (**G**).



**2.** Install P-trap (**J**).

