

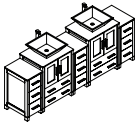


FVN62-72-VSL TORINO

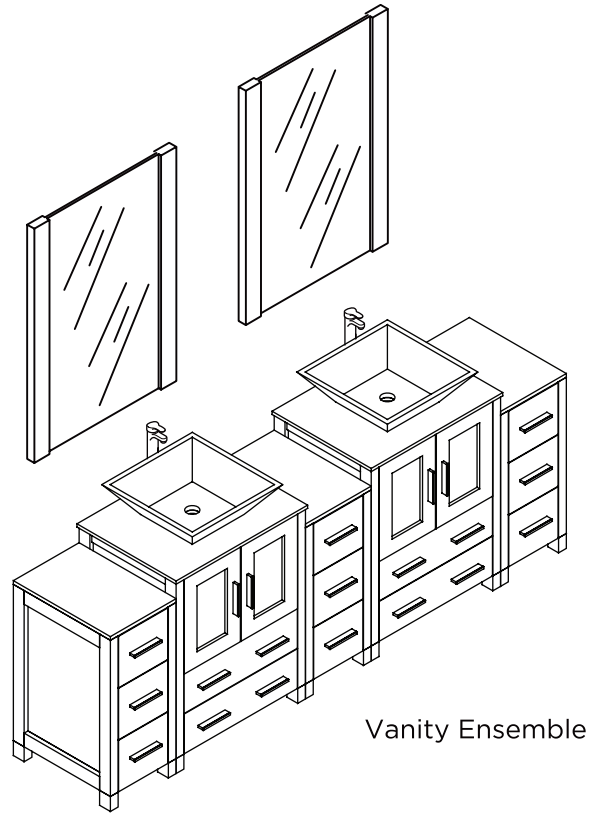
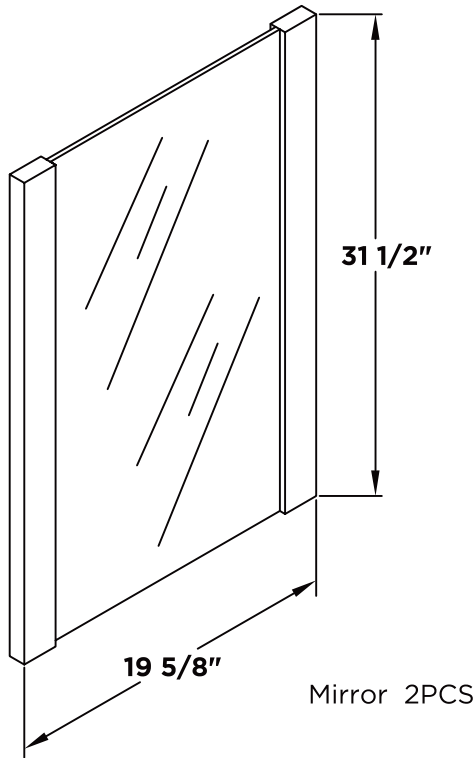
INSTALLATION GUIDE

CONTENTS:

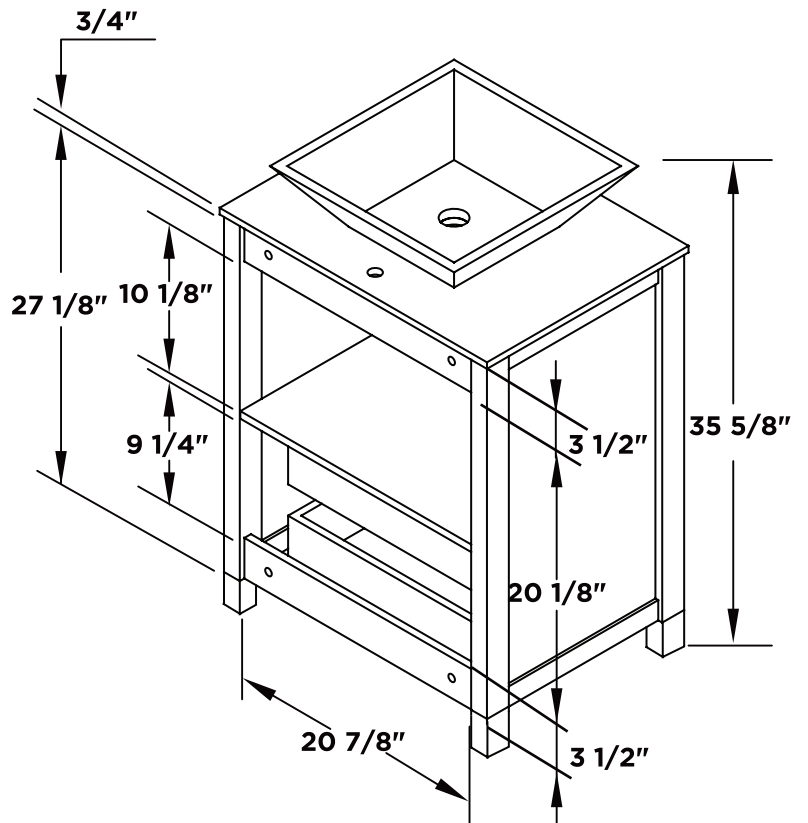
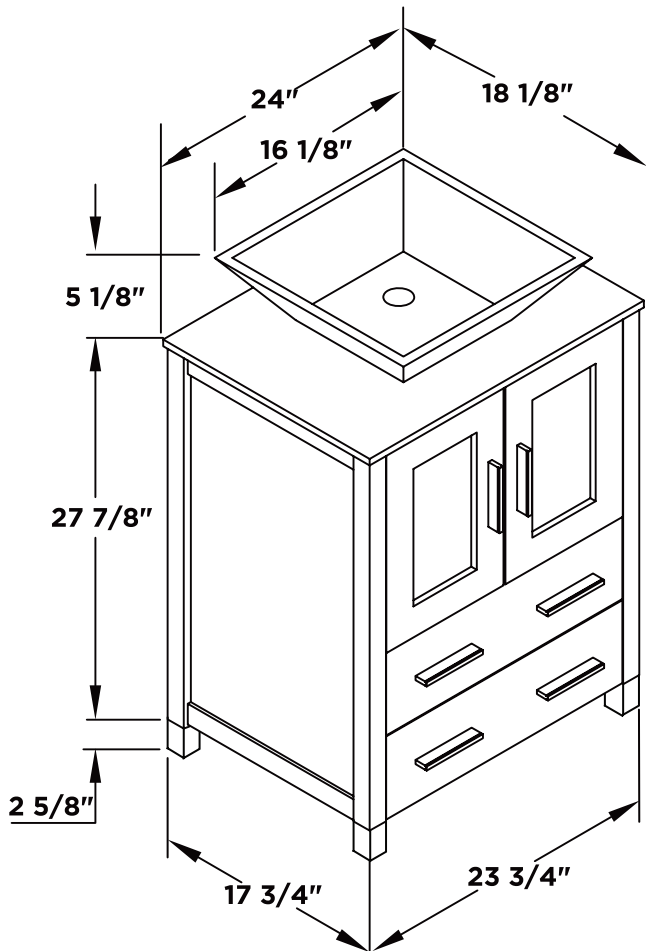
Cabinet	(FCB62-72)	PAGE 3
Sink	(FVS6217)	PAGE 4
Countertop	(FCT6224)	PAGE 4
Mirror	(FMR6224)	PAGE 2



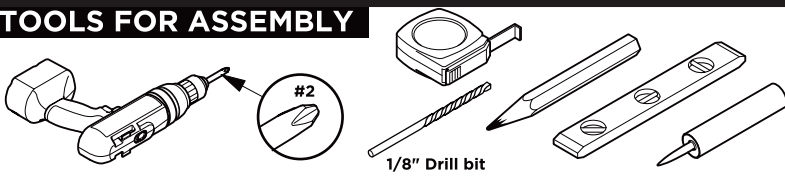
FVN62-72-VSL TORINO INSTALLATION GUIDE



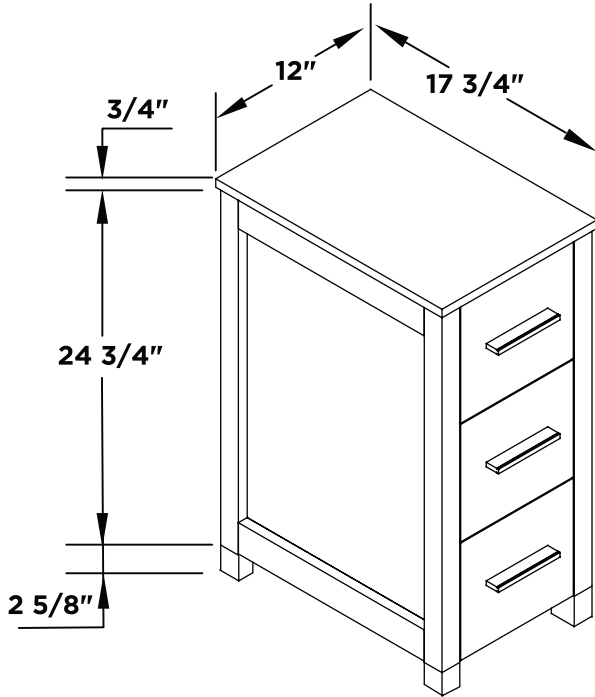
Vanity Front 2PCS



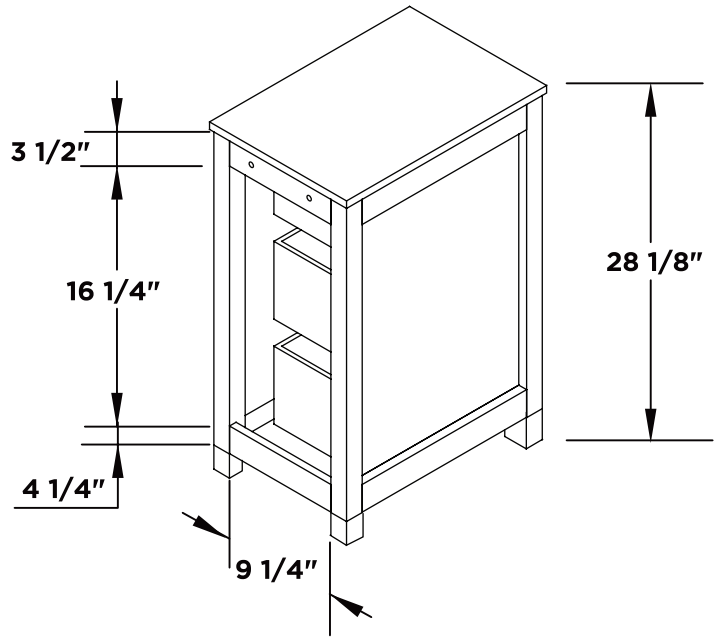
TOOLS FOR ASSEMBLY



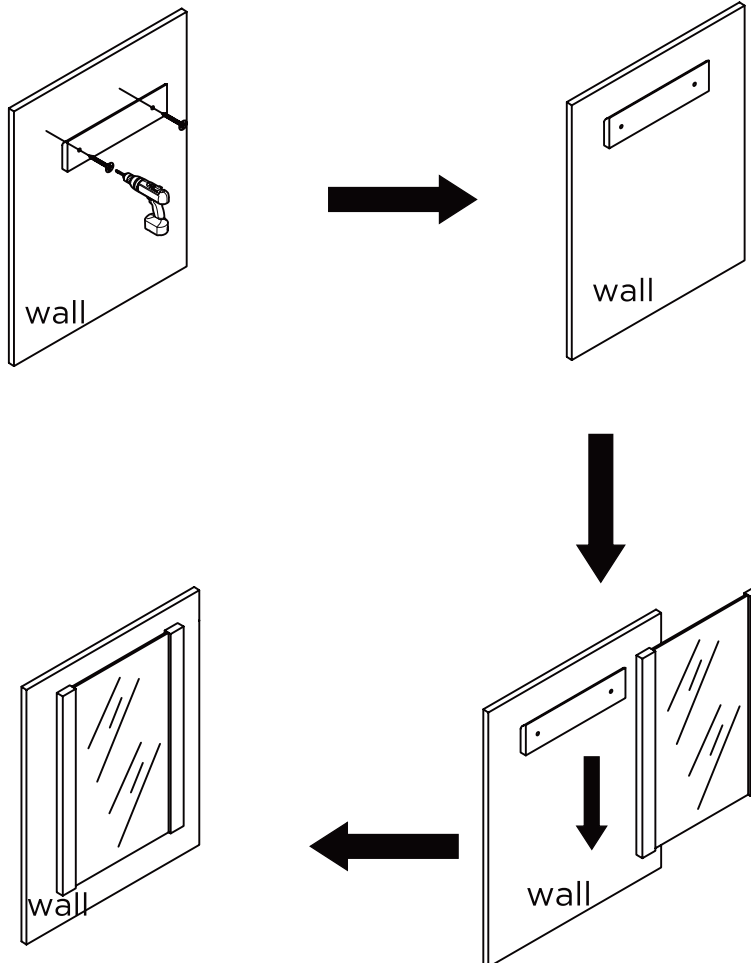
Side Cabinet Front 3PCS



Side Cabinet Back 3PCS

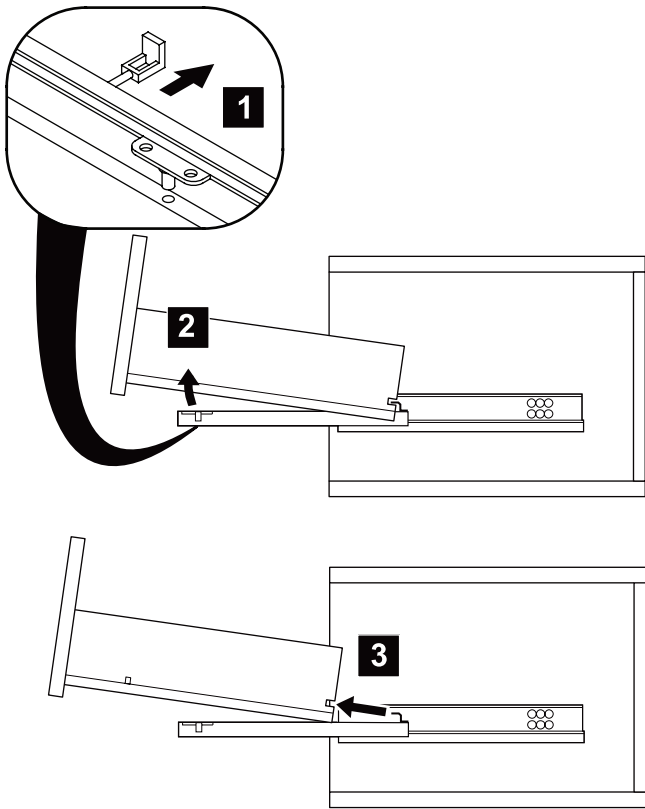


MIRROR INSTALLATION

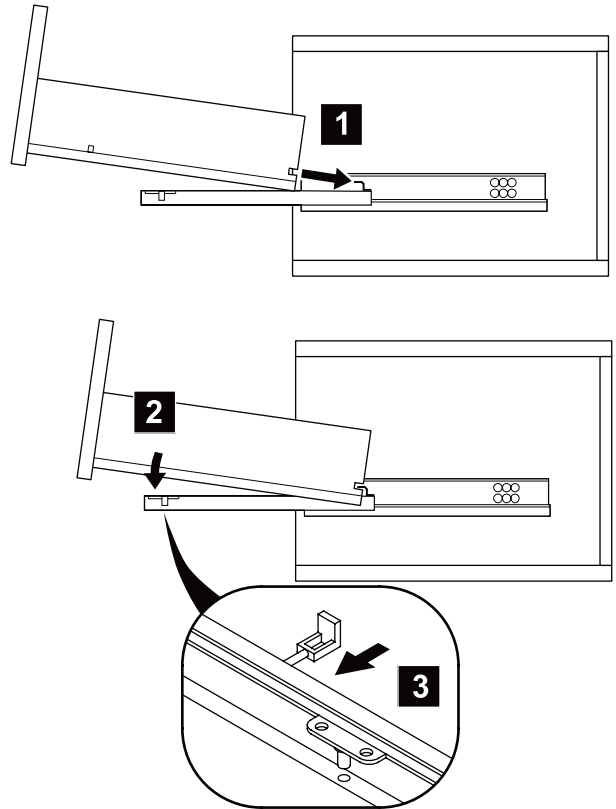


DRAWER REMOVAL & INSTALLATION

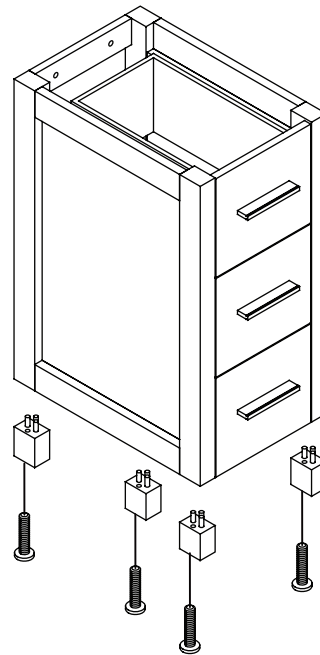
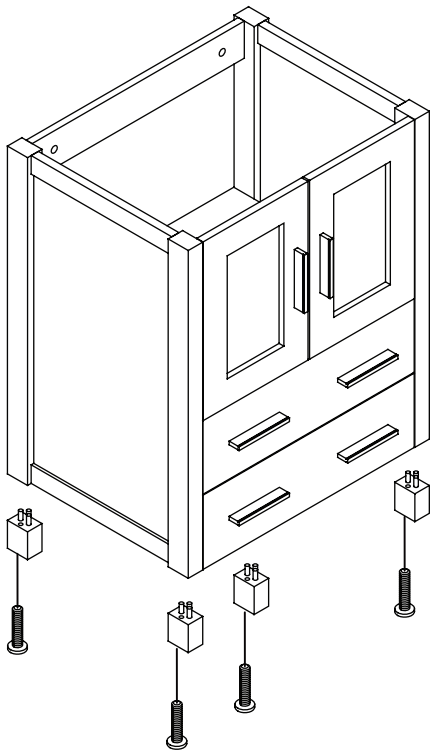
REMOVAL



INSTALLATION



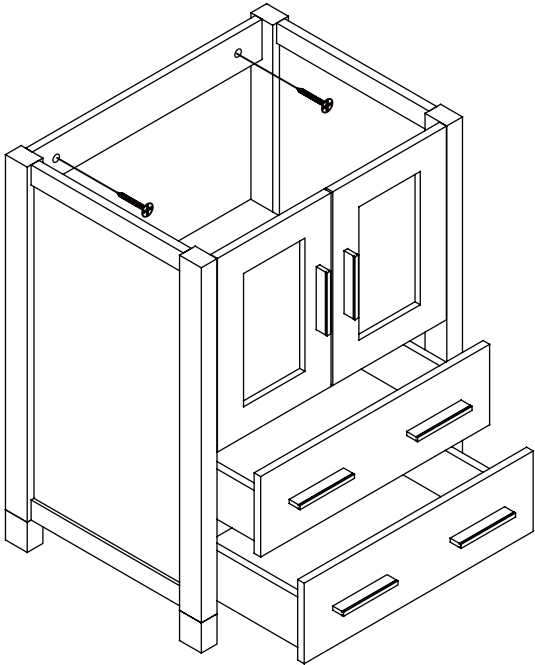
1 Install leg



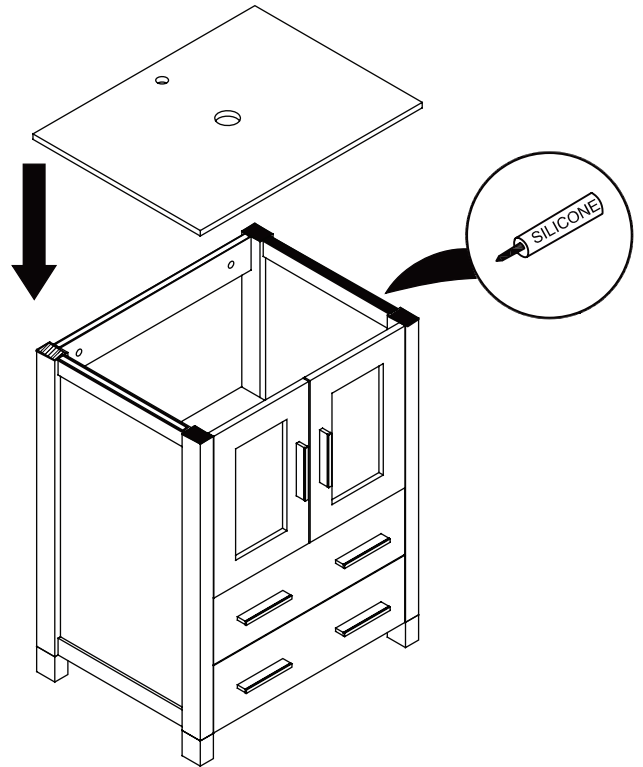
2 Remove drawer

3 Install cabinet

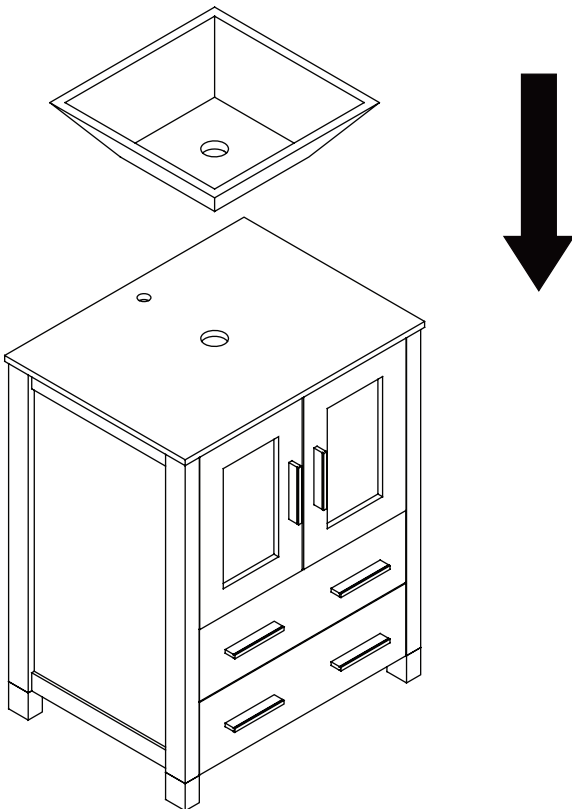
IMPORTANT: Consult an expert for the proper screws/bolts to use when attaching to various wall constructions. Screws provided do not attach to all wall construction types.



4 Install top panel

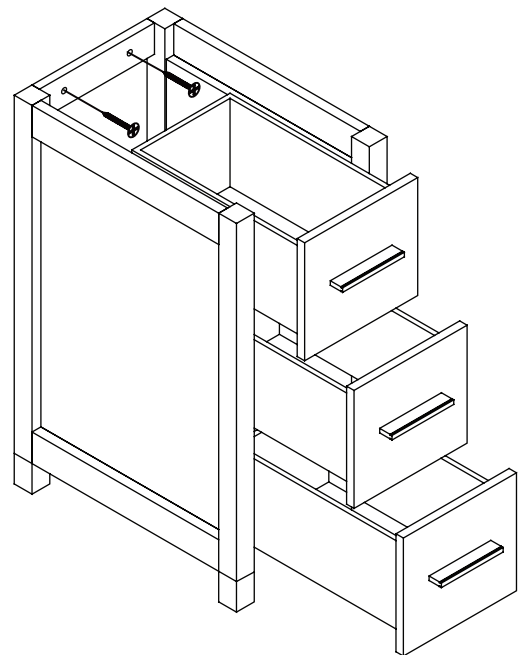


5 Install sink



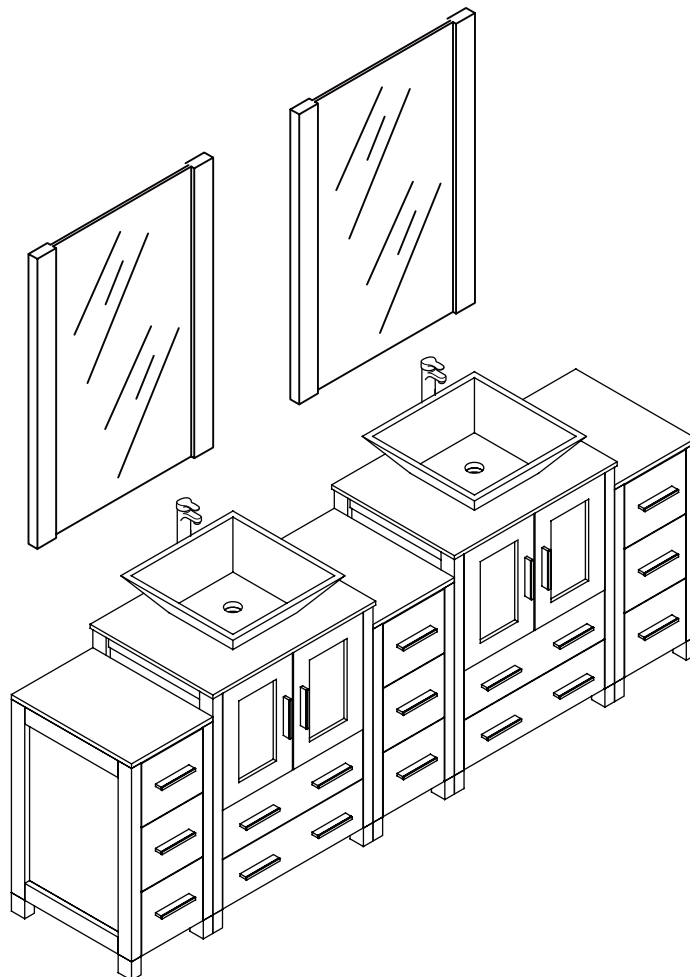
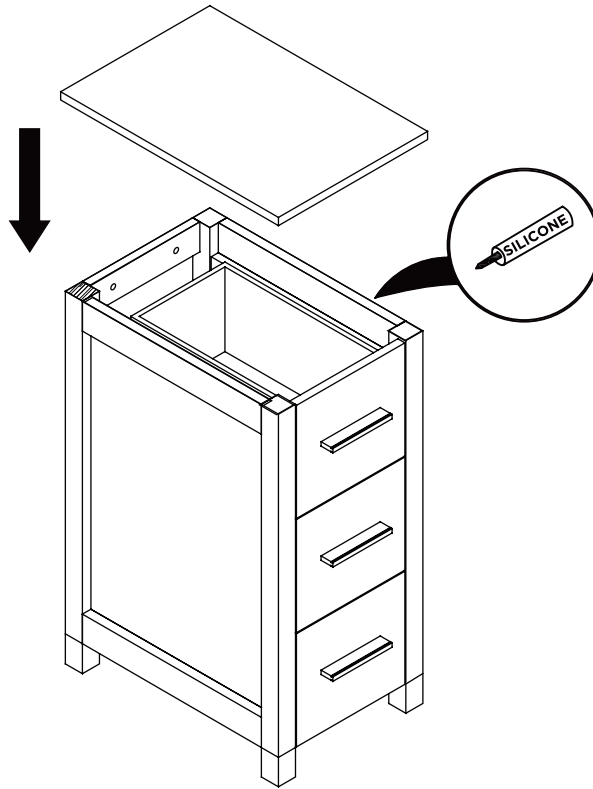
6 Remove side cabinet drawer

7 Install side cabinet



8

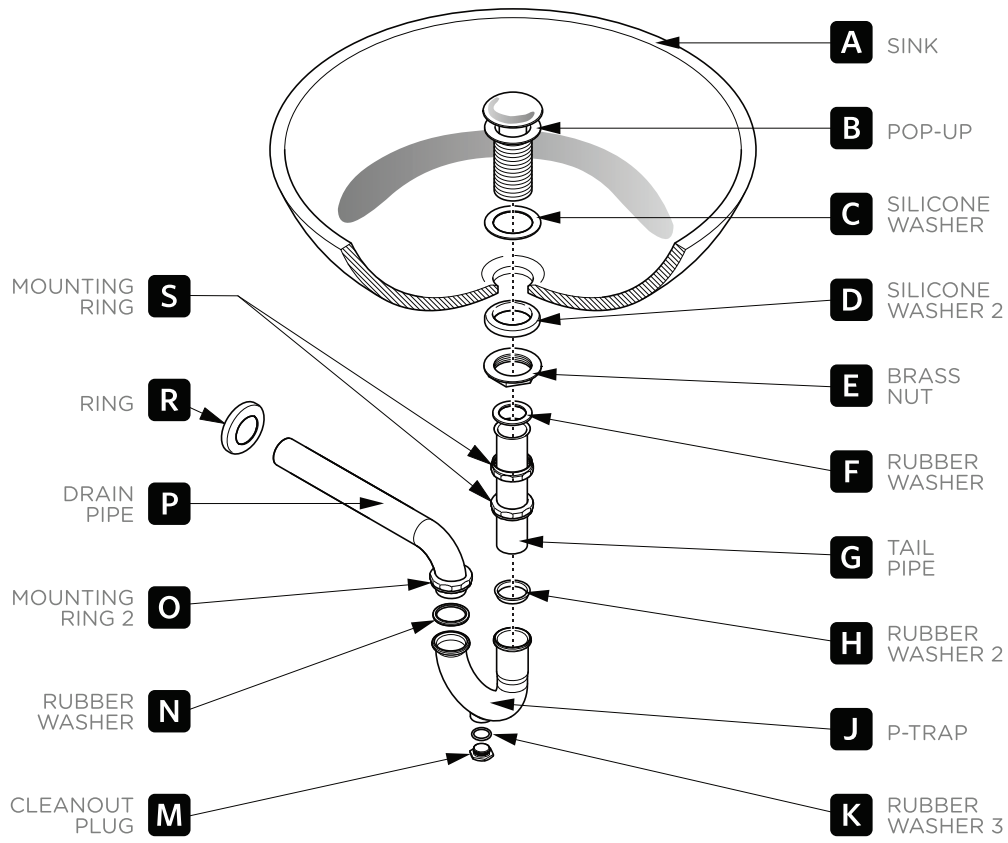
Install side cabinet top panel



P-TRAP & POP-UP

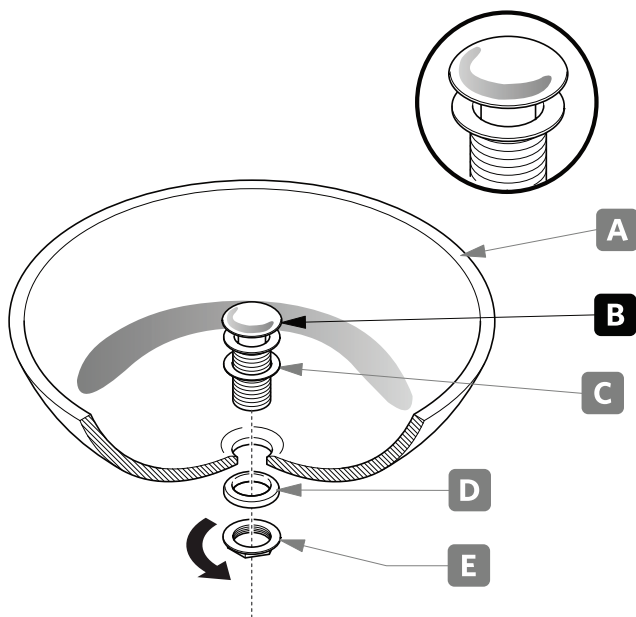
INSTALLATION INSTRUCTIONS

Your item may appear slightly different from the illustration.



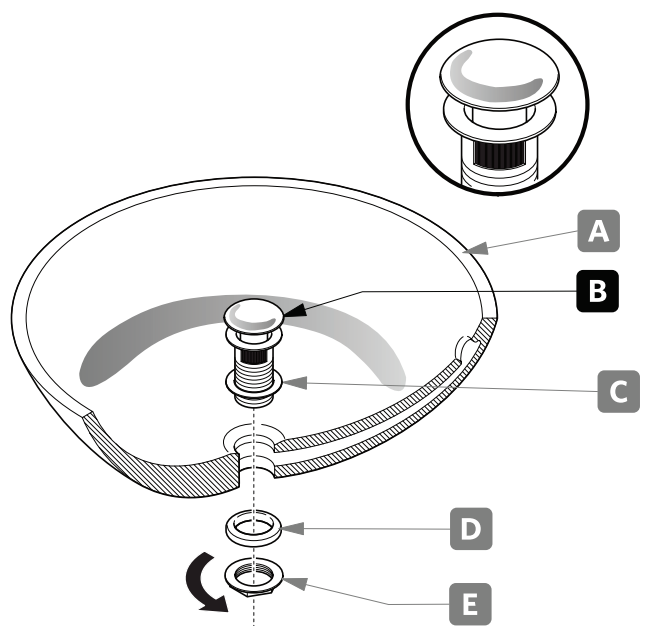
POP-UP INSTALLATION

FOR SINKS WITHOUT OVERFLOW



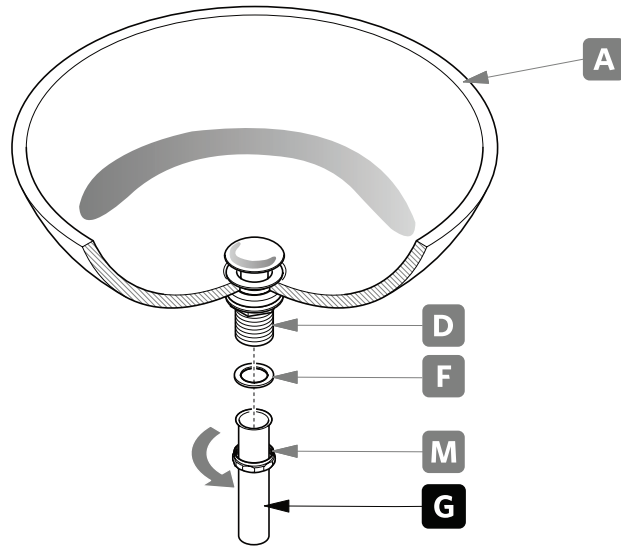
OR

FOR SINKS WITH OVERFLOW



P-TRAP INSTALLATION

1. Install tail pipe (**G**).



2. Install P-trap (**J**).

