

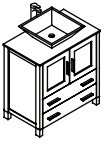


# FVN6230VSL TORINO

## INSTALLATION GUIDE

### CONTENTS:

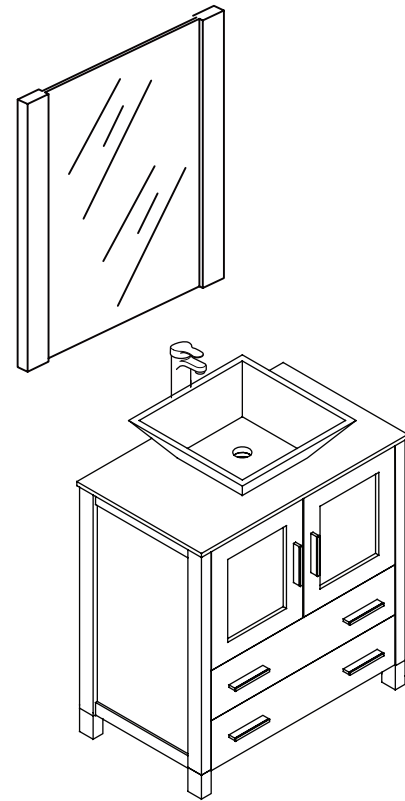
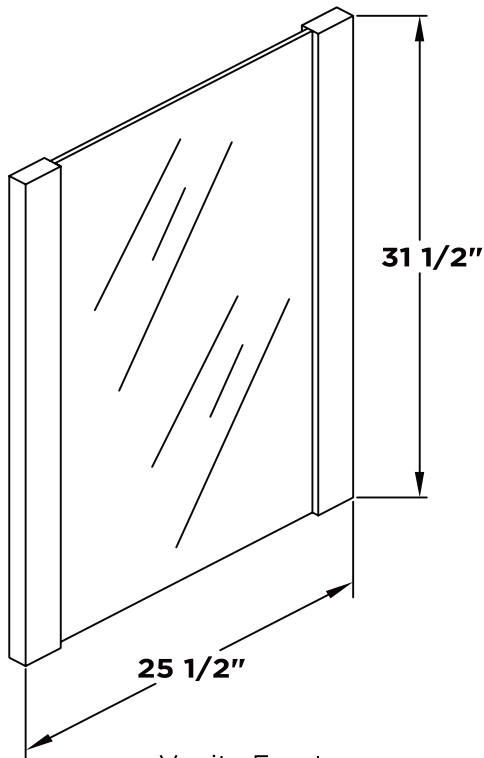
Cabinet	(FCB6230)	PAGE 3
Sink	(FVS6217)	PAGE 4
Mirror	(FMR6230)	PAGE 2
Countertop	(FCT6230)	PAGE 4



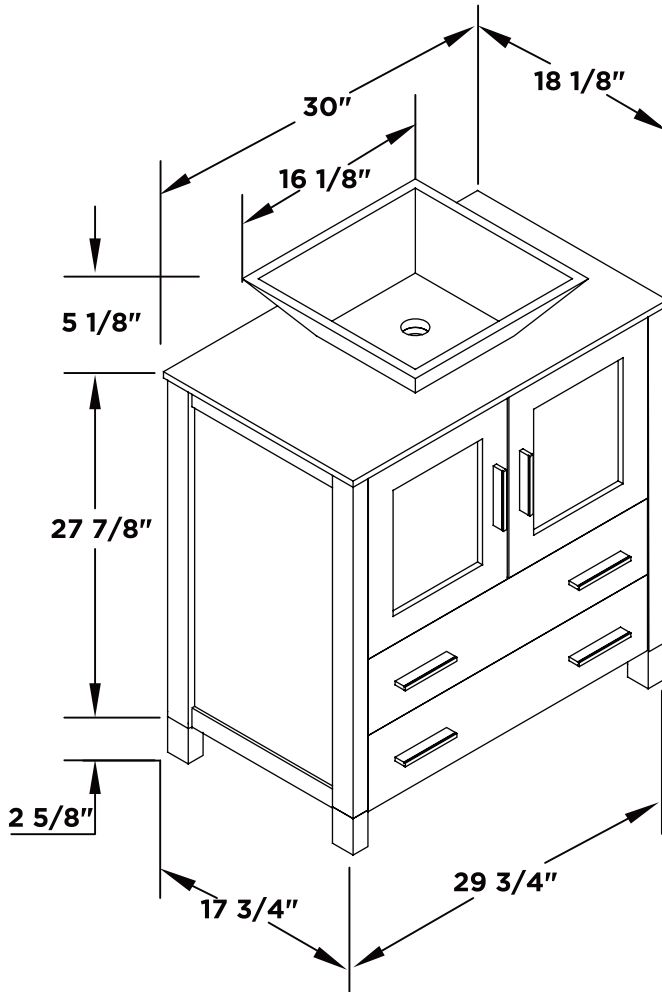
**FVN6230-VSL**  
**TORINO**  
**INSTALLATION GUIDE**



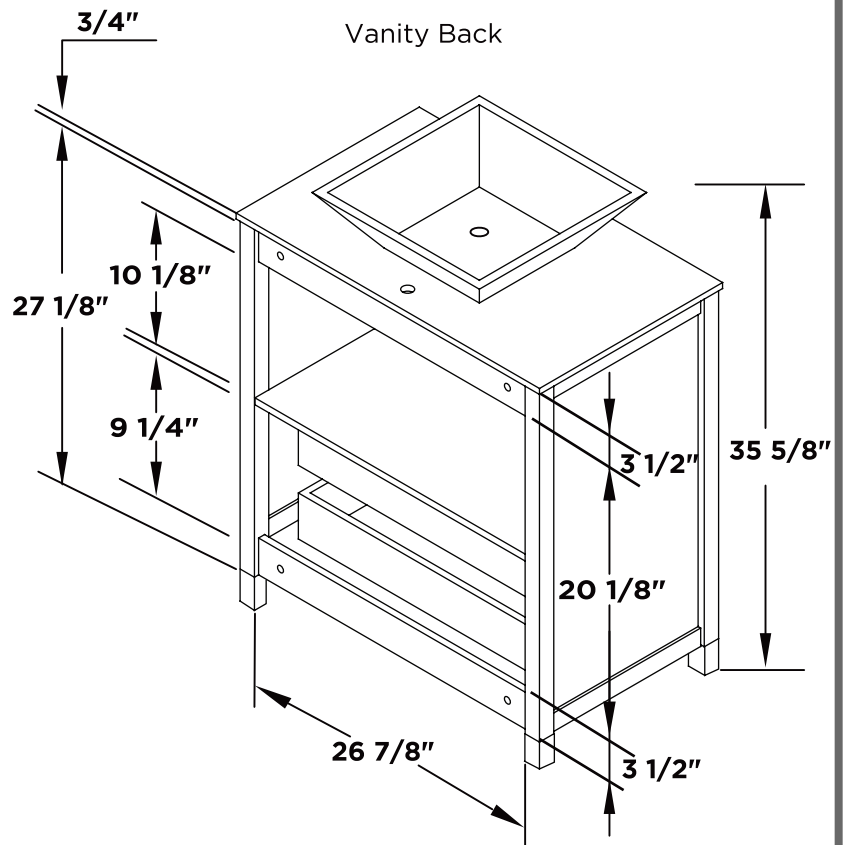
Mirror



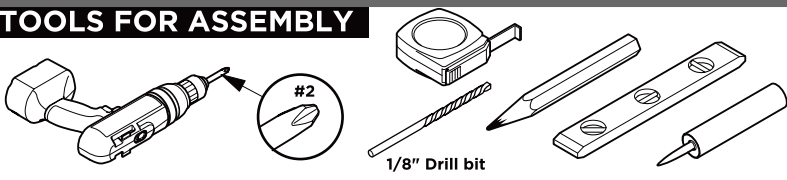
Vanity Front



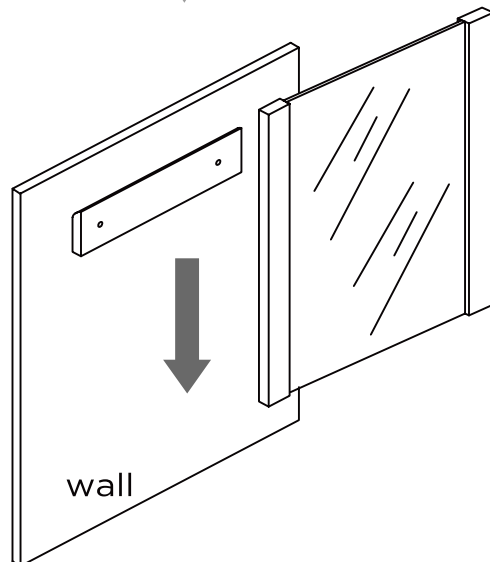
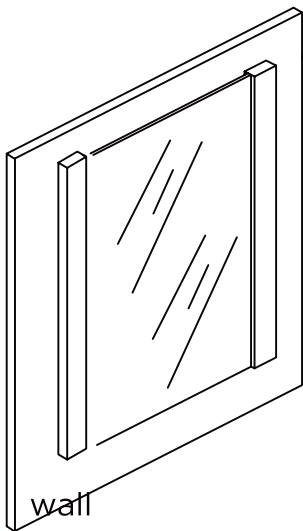
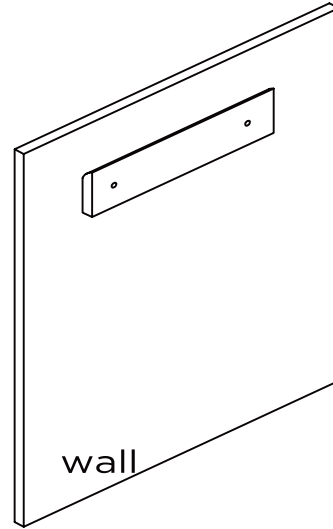
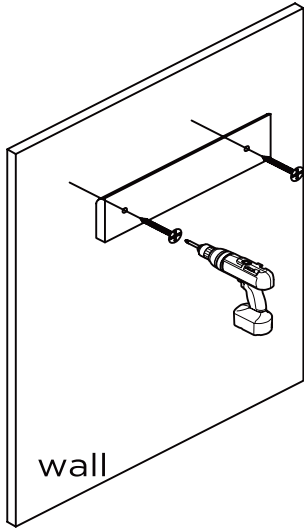
Vanity Back



**TOOLS FOR ASSEMBLY**

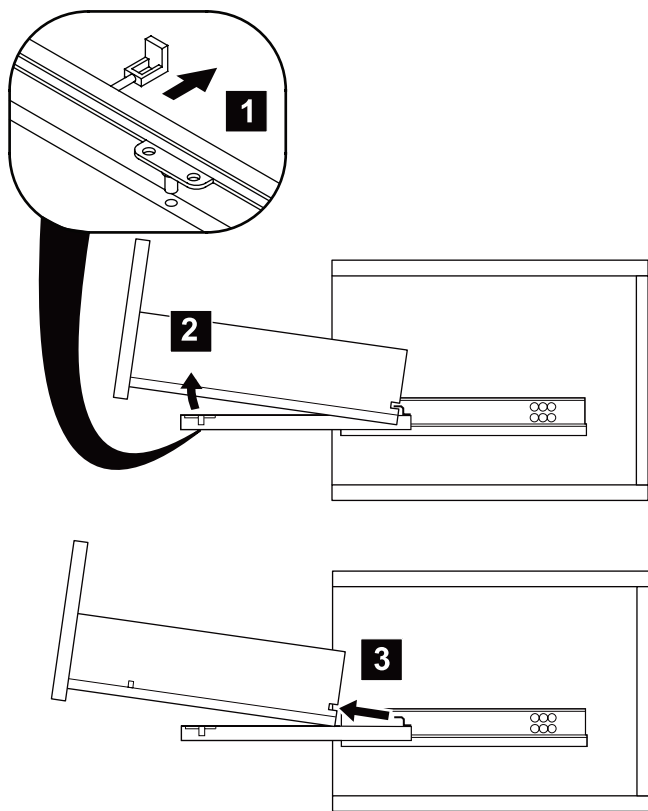


**MIRROR INSTALLATION**

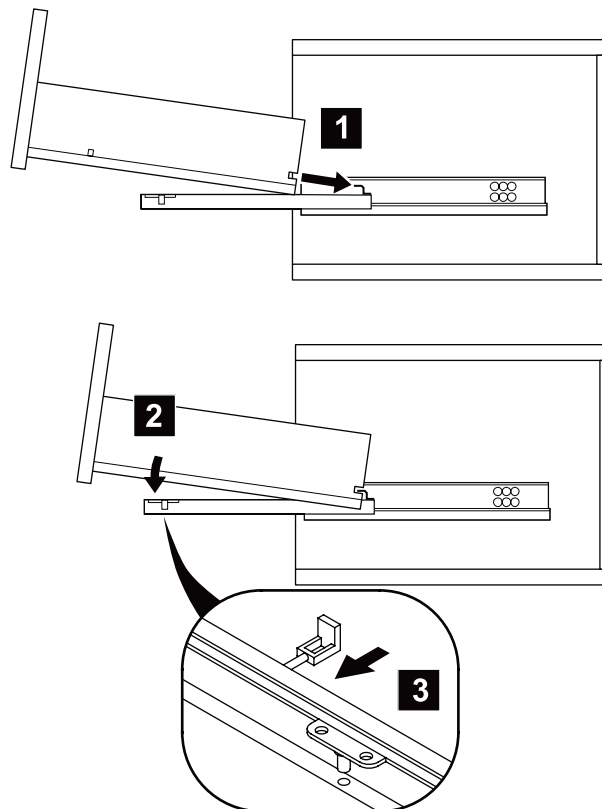


# DRAWER REMOVAL & INSTALLATION

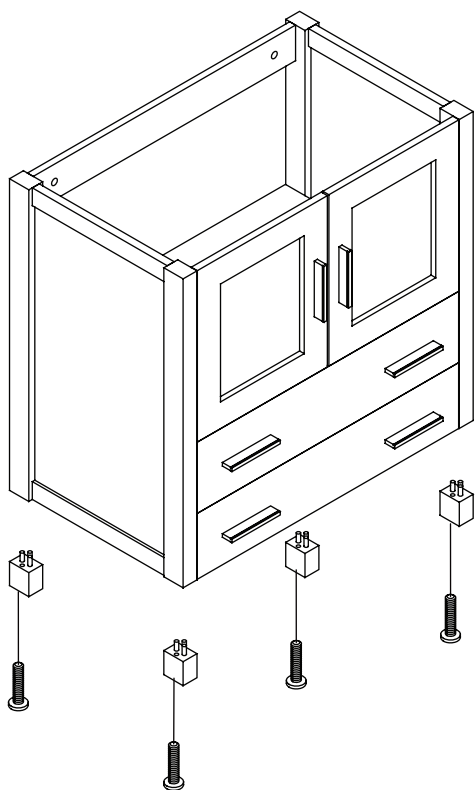
## REMOVAL



## INSTALLATION



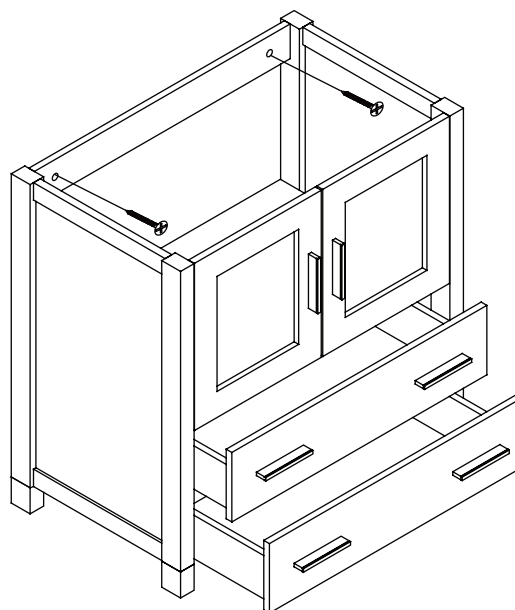
**1** Install leg



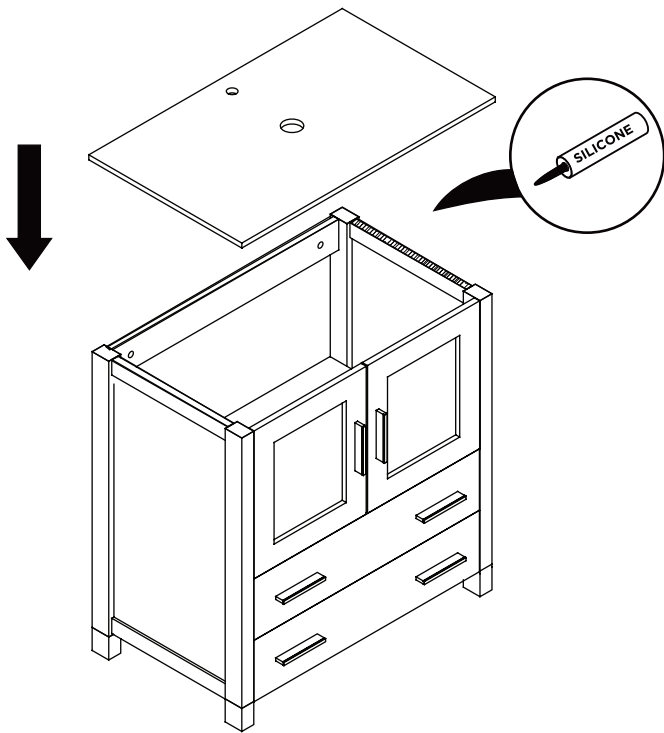
**2** Remove drawer

**3** Install cabinet

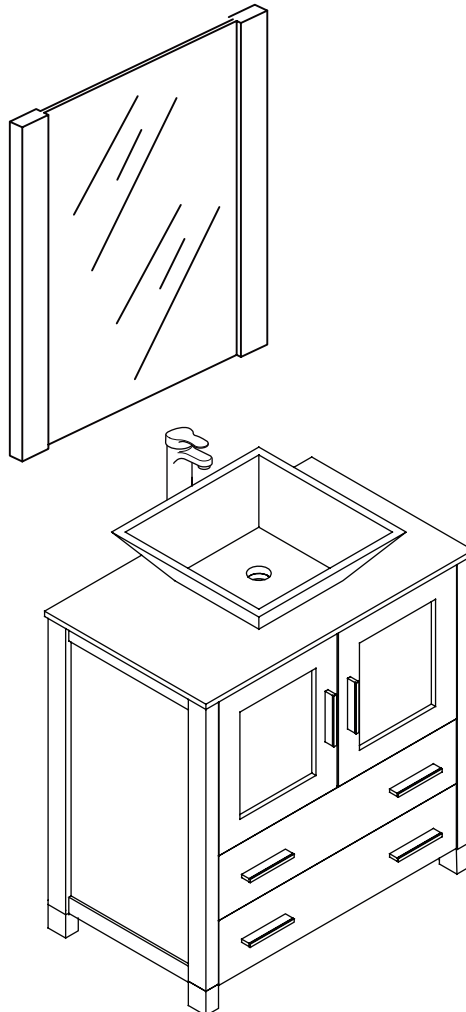
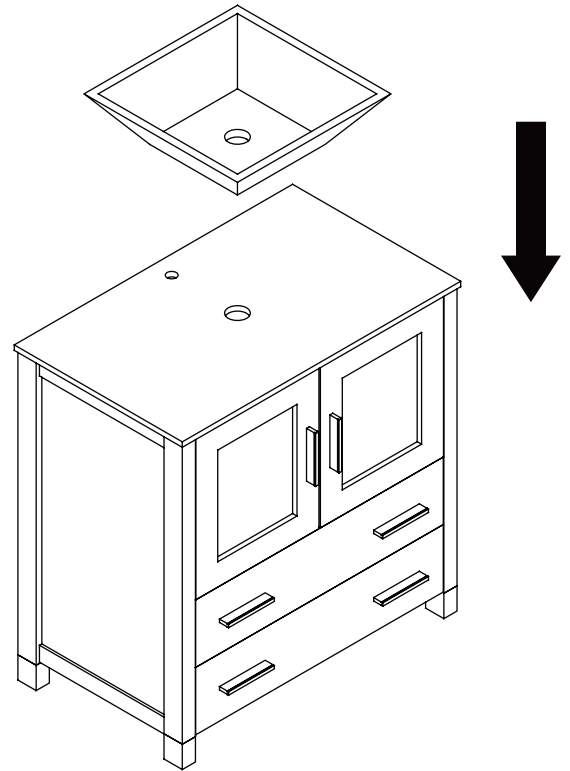
**IMPORTANT:** Consult an expert for the proper screws/bolts to use when attaching to various wall constructions. Screws provided do not attach to all wall construction types.



**4** Install top panel



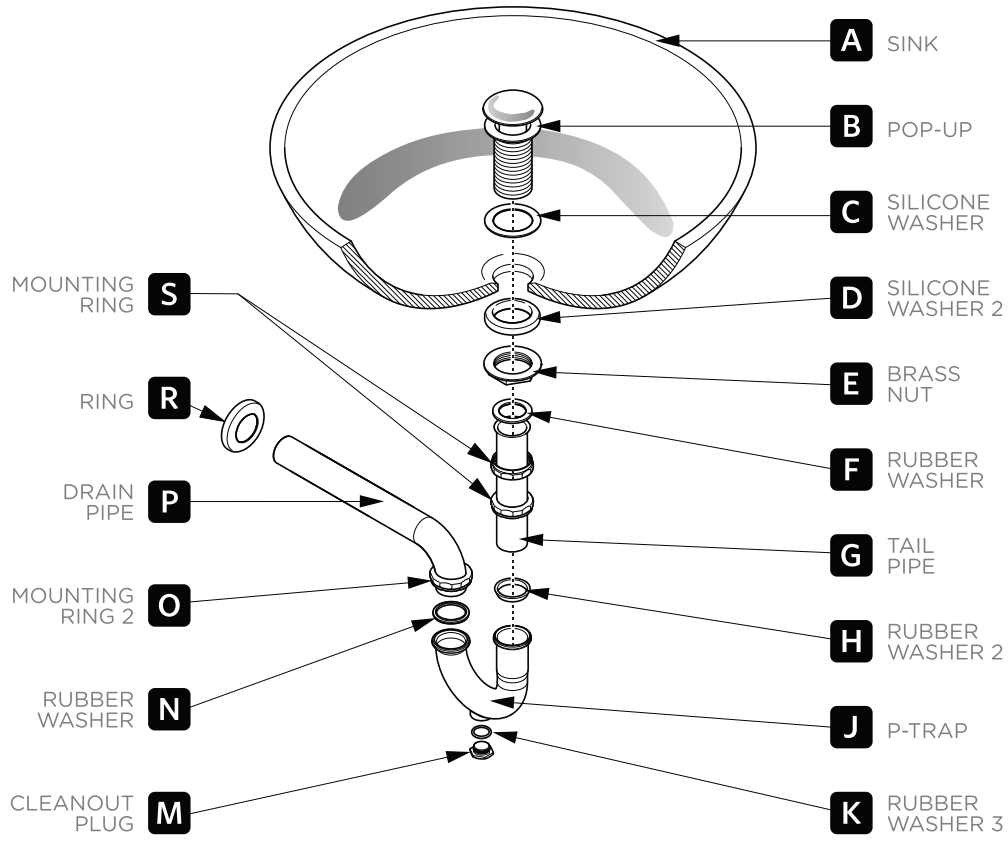
**5** Install Sink



# P-TRAP & POP-UP

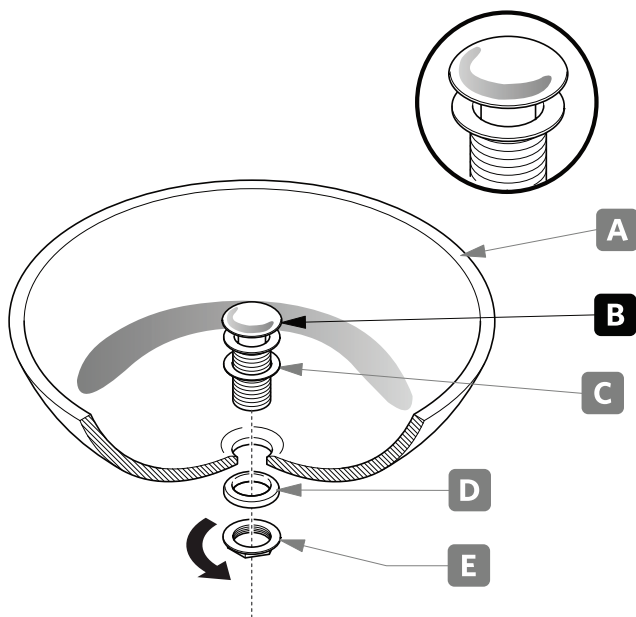
## INSTALLATION INSTRUCTIONS

Your item may appear slightly different from the illustration.



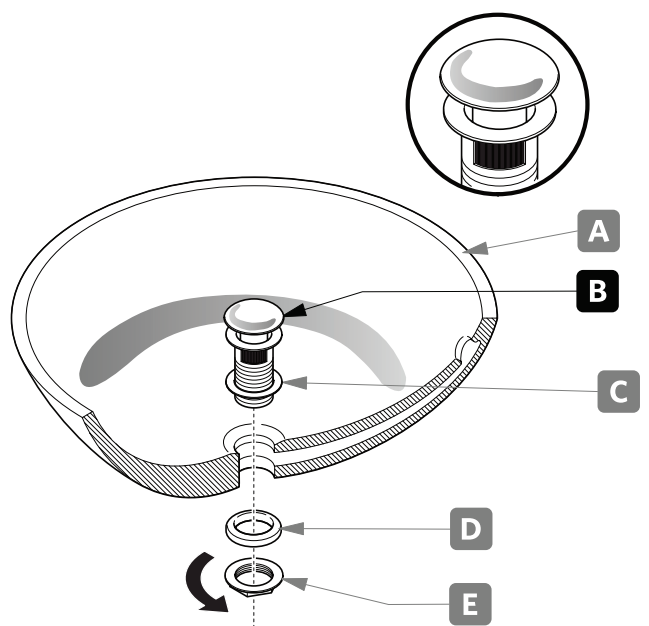
## POP-UP INSTALLATION

**FOR SINKS WITHOUT OVERFLOW**



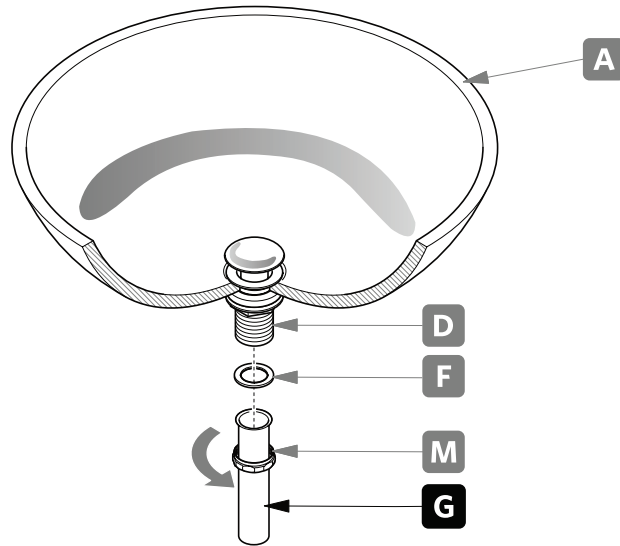
OR

**FOR SINKS WITH OVERFLOW**



# P-TRAP INSTALLATION

**1.** Install tail pipe (**G**).



**2.** Install P-trap (**J**).

