



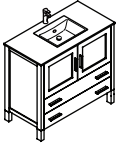
FVN6236-UNS

TORINO

INSTALLATION GUIDE

CONTENTS:

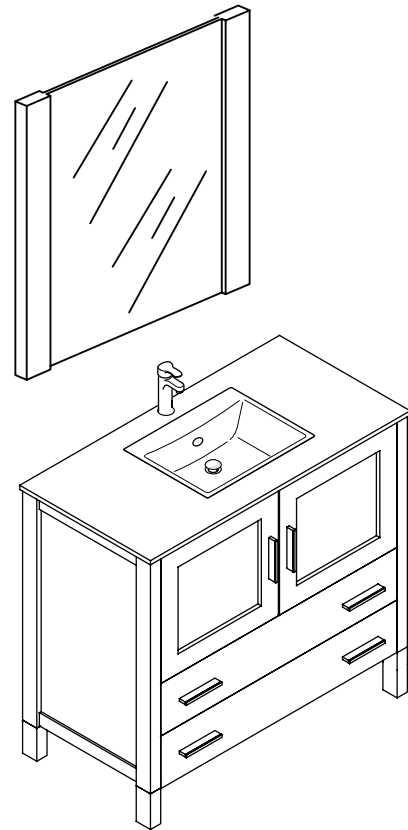
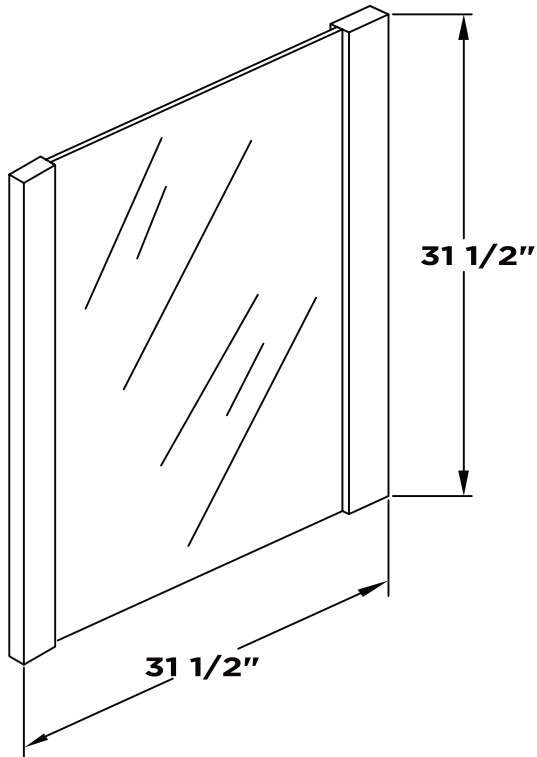
Cabinet	(FCB6236)	PAGE 3
Sink	(FVS6236)	PAGE 4
Mirror	(FMR6236)	PAGE 2



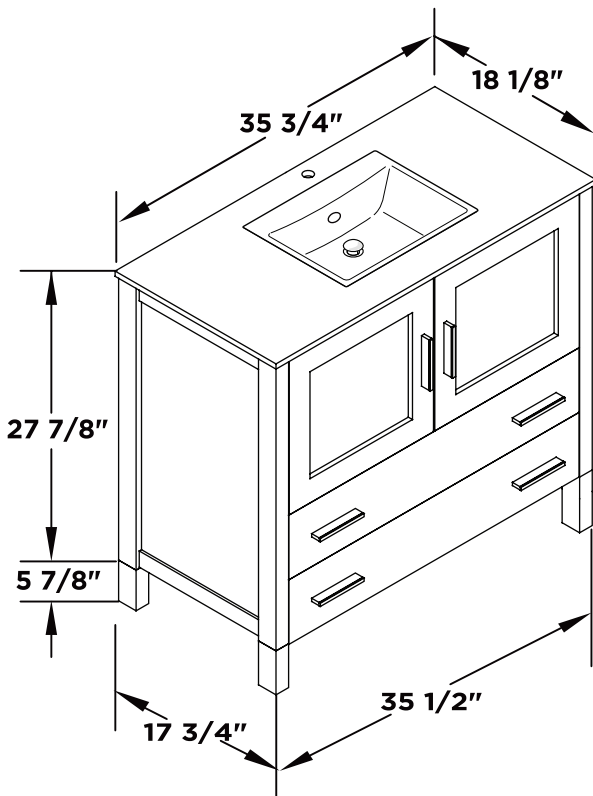
FVN6236-UNS
TORINO
INSTALLATION GUIDE



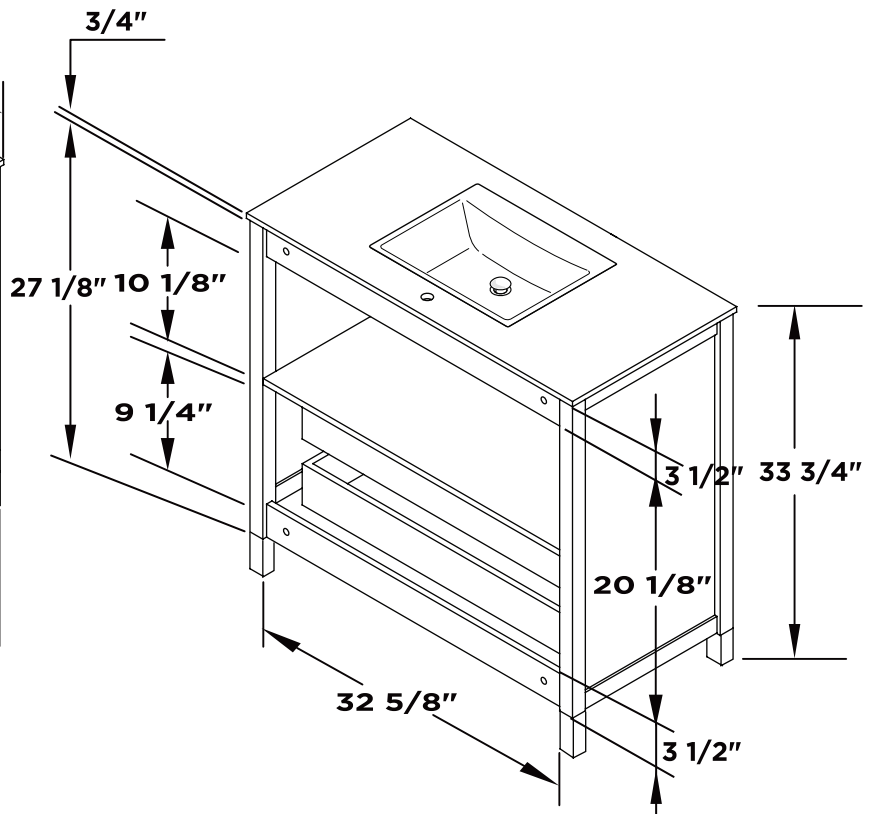
Mirror



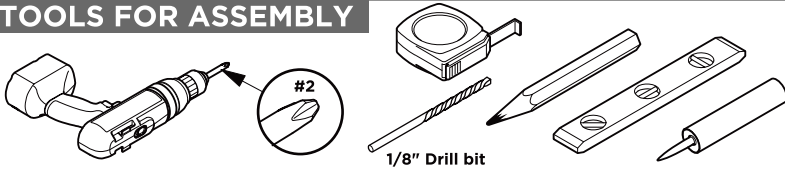
Vanity Front



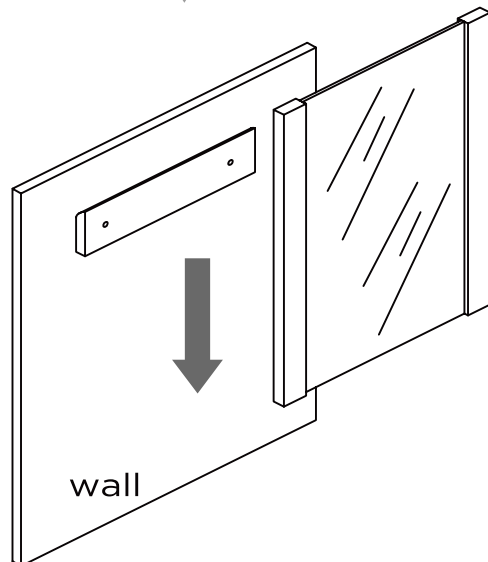
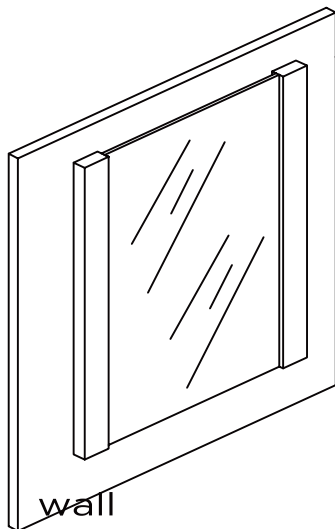
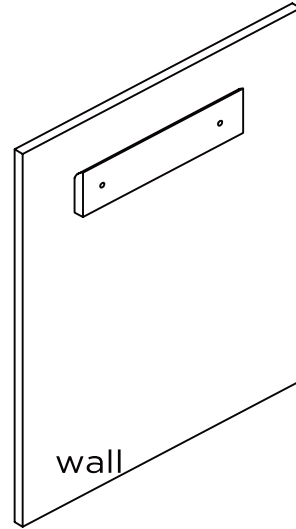
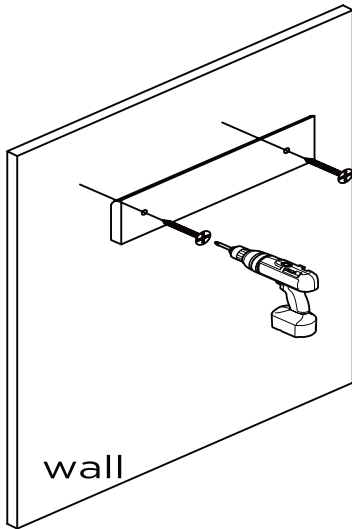
Vanity Back



TOOLS FOR ASSEMBLY

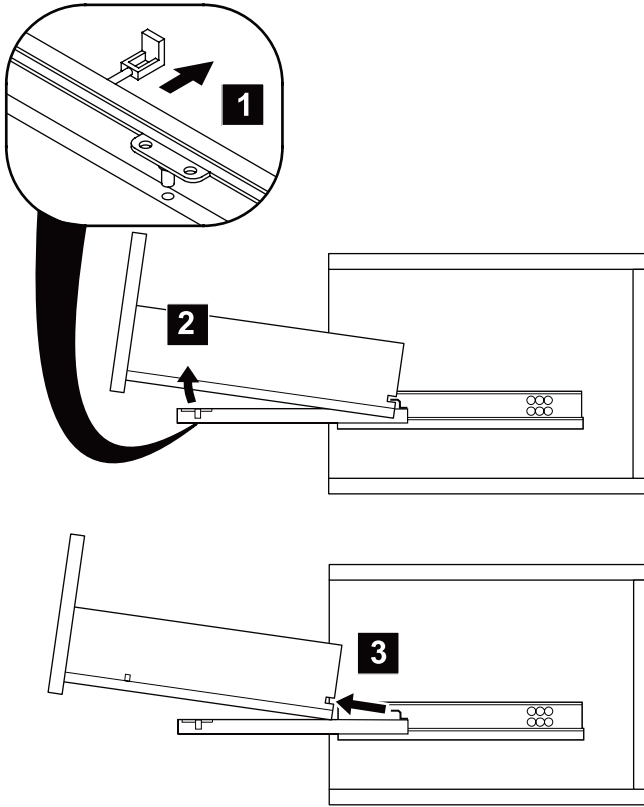


MIRROR INSTALLATION

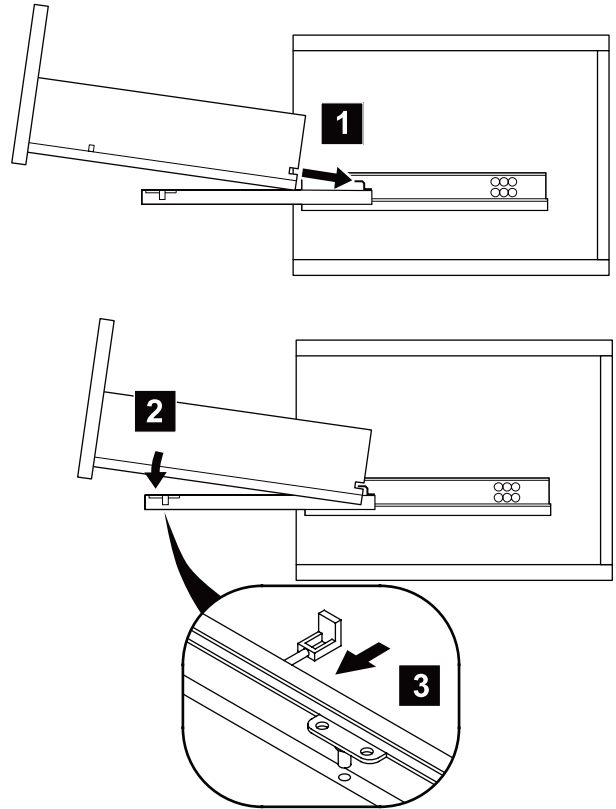


DRAWER REMOVAL & INSTALLATION

REMOVAL



INSTALLATION

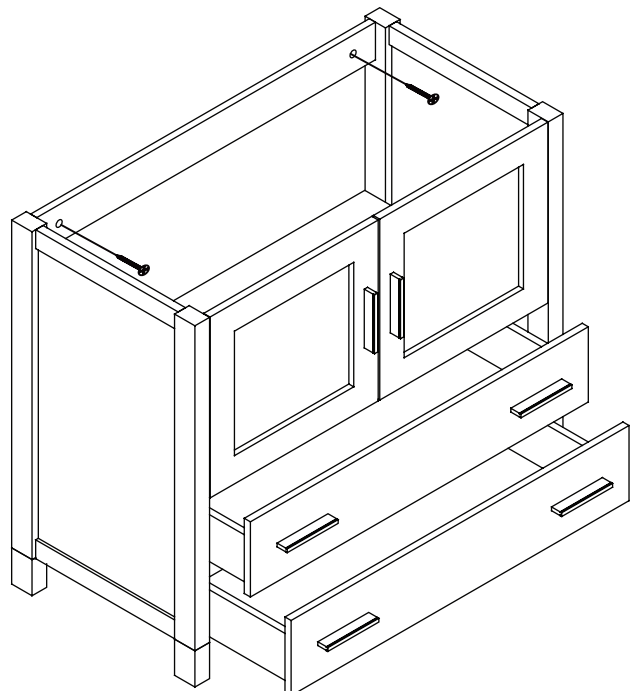
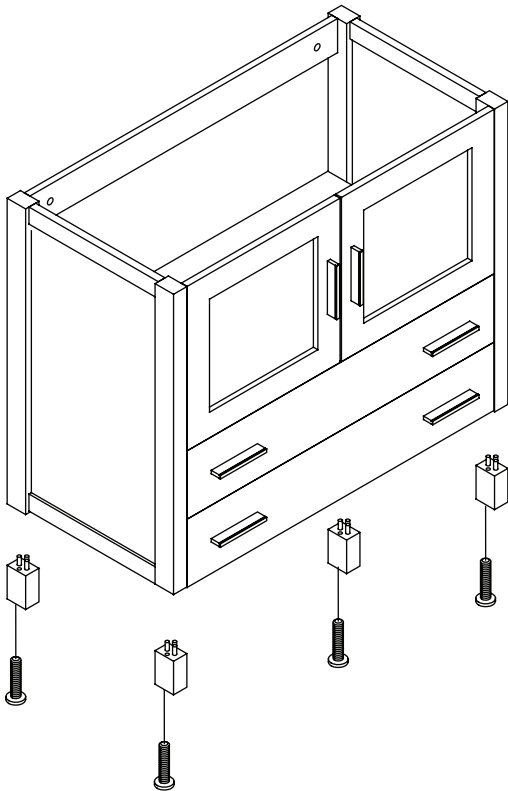


1 Install leg

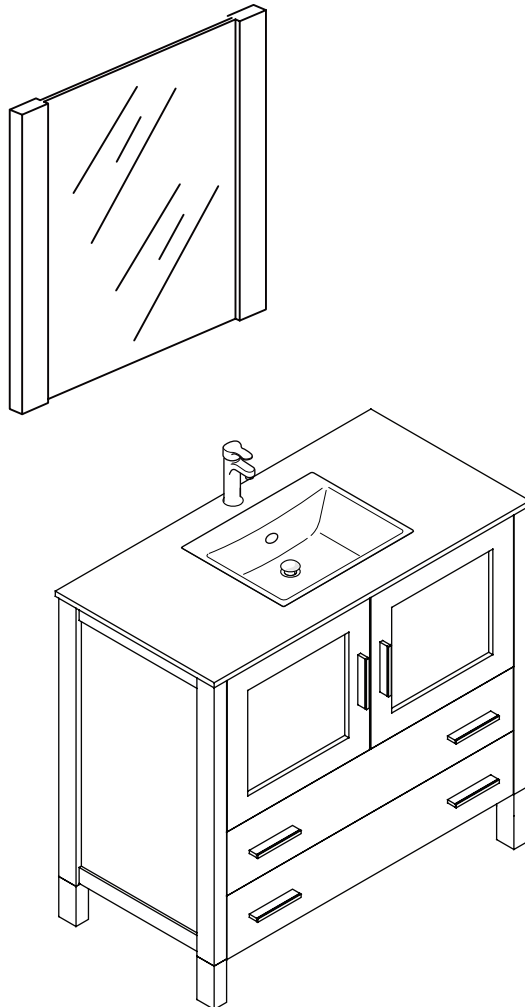
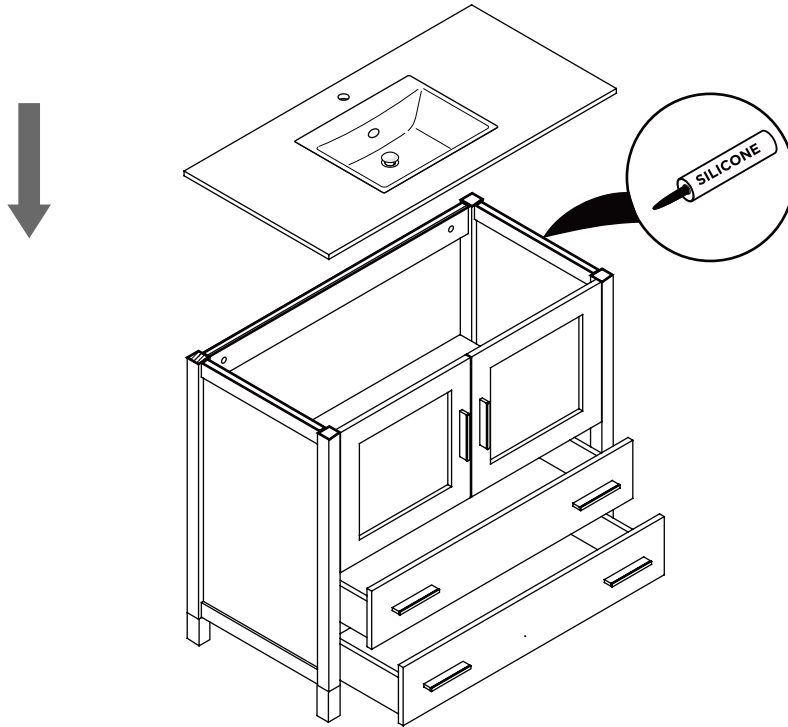
2 Remove drawer

3 Install cabinet

IMPORTANT: Consult an expert for the proper screws/bolts to use when attaching to various wall constructions. Screws provided do not attach to all wall construction types.



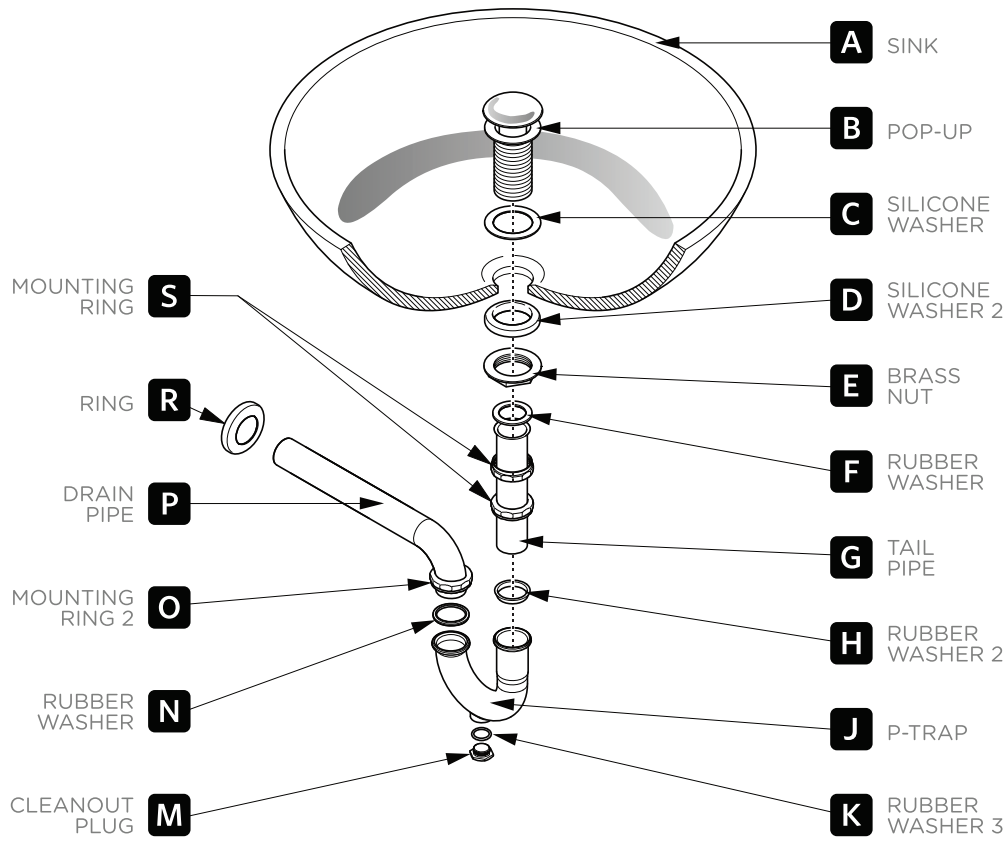
4 Install top panel



P-TRAP & POP-UP

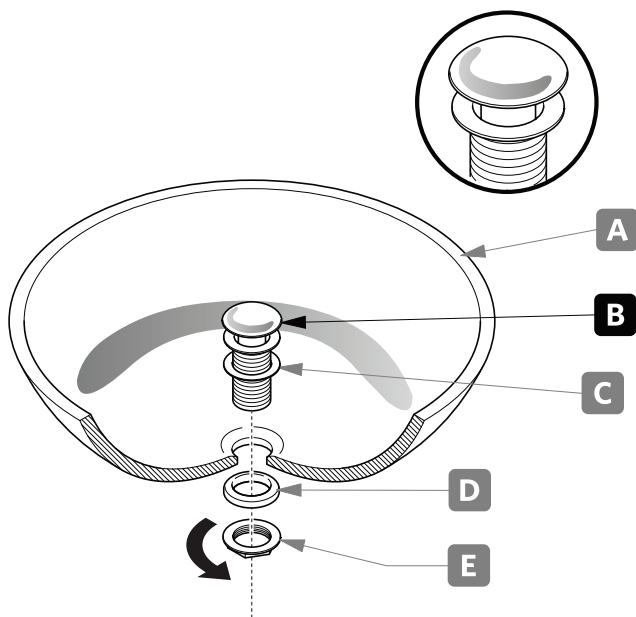
INSTALLATION INSTRUCTIONS

Your item may appear slightly different from the illustration.



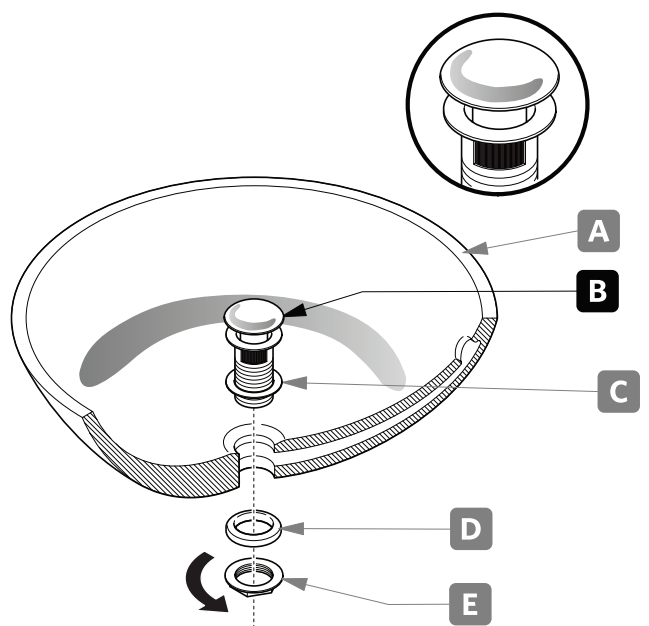
POP-UP INSTALLATION

FOR SINKS WITHOUT OVERFLOW



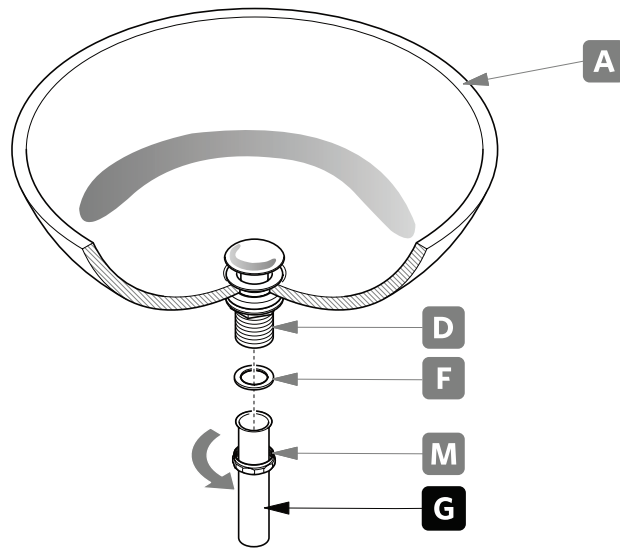
OR

FOR SINKS WITH OVERFLOW



P-TRAP INSTALLATION

1. Install tail pipe (**G**).



2. Install P-trap (**J**).

