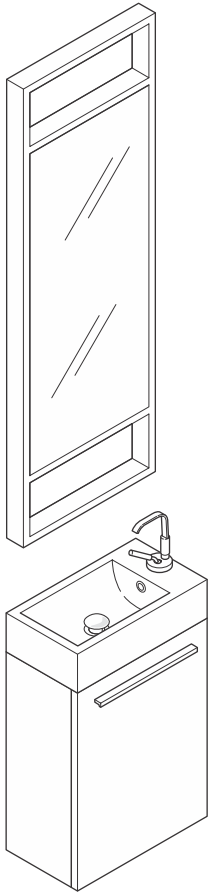
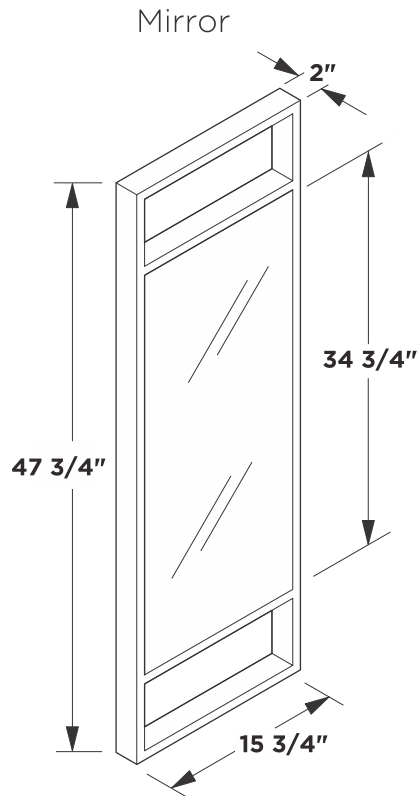


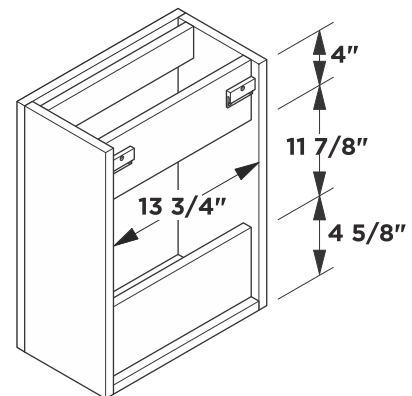
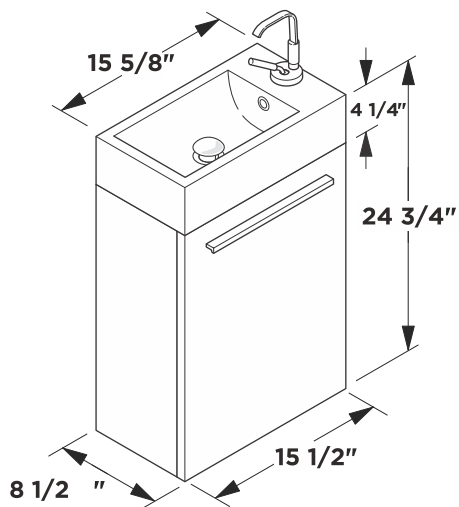
**FVN8002**  
**PULITO**  
**INSTALLATION GUIDE**



Vanity Front

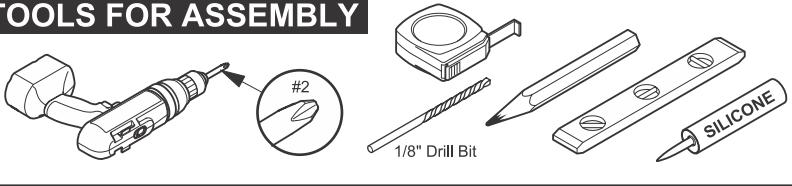


Vanity Back

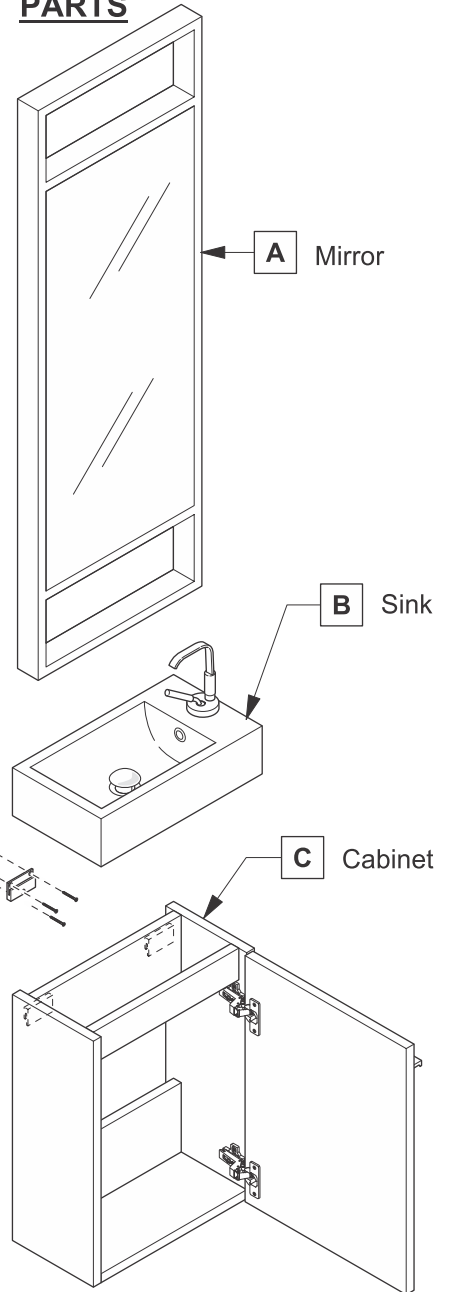


Note: All dimensions and specifications are approximate and subject to change without notice.

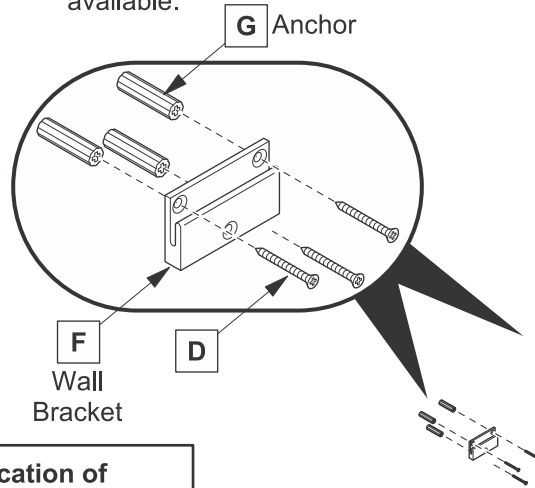
**TOOLS FOR ASSEMBLY**



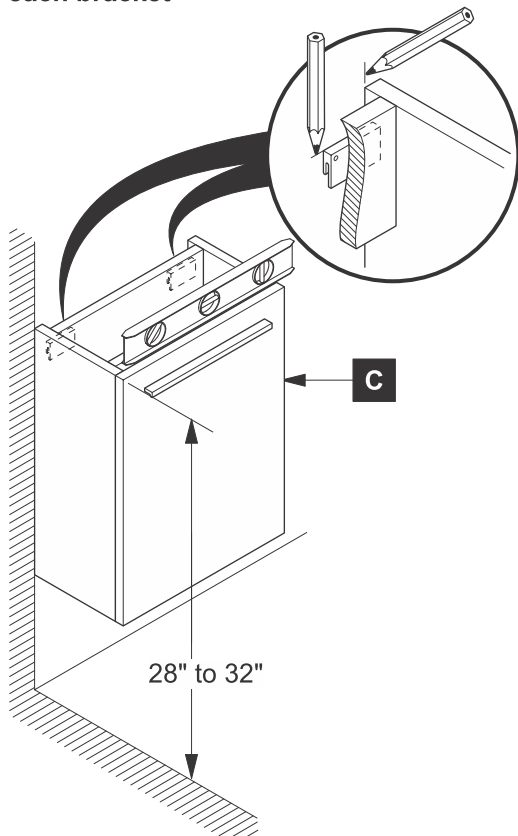
**PARTS**



**NOTE:** Only use anchors (G) if stud (2"x4" frame) is not available.

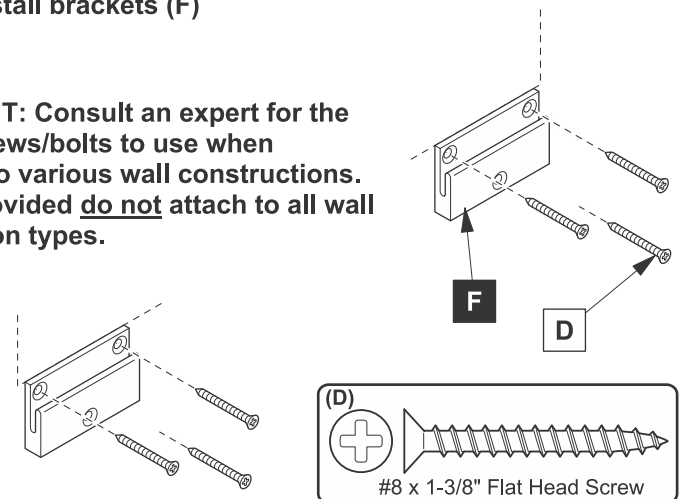


**1** Locate cabinet (C) & mark location of each bracket

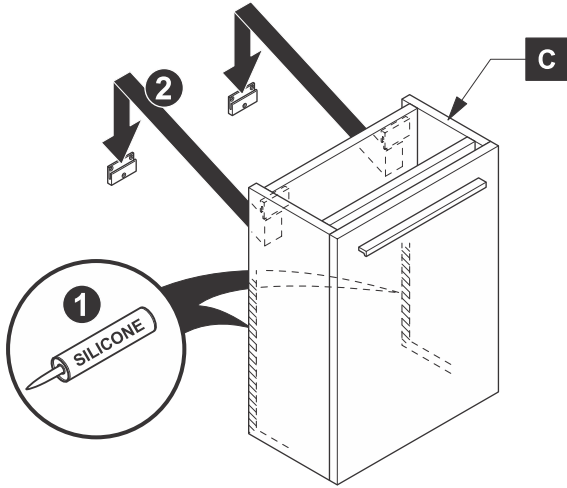


**2** Install brackets (F)

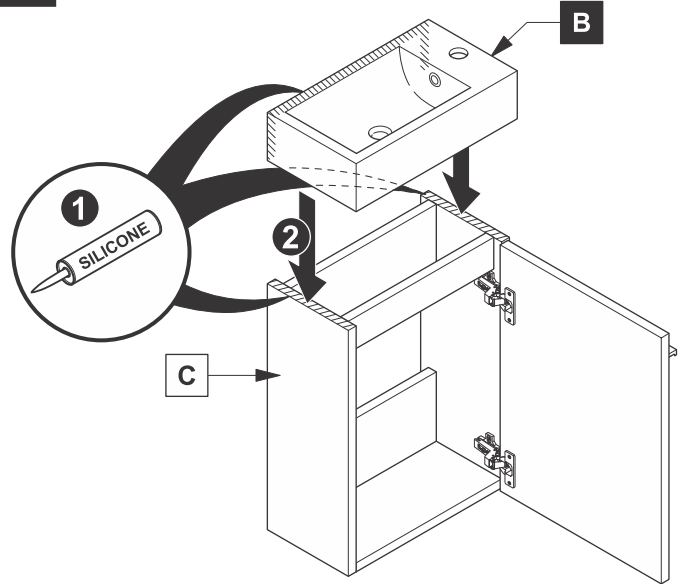
**IMPORTANT:** Consult an expert for the proper screws/bolts to use when attaching to various wall constructions. Screws provided do not attach to all wall construction types.



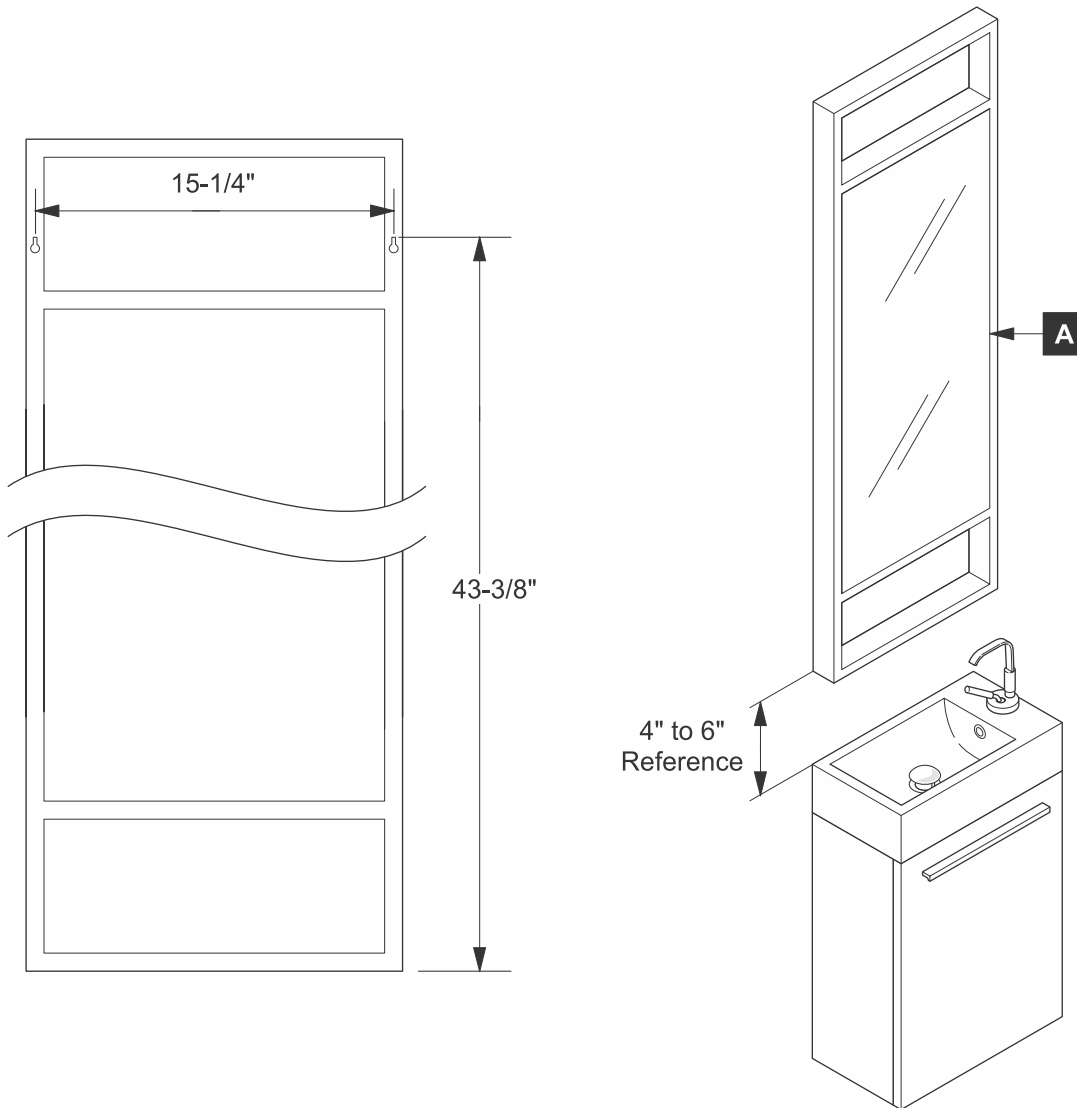
**3** Apply silicone and install cabinet (C)



**4** Apply silicone and install sink (B)

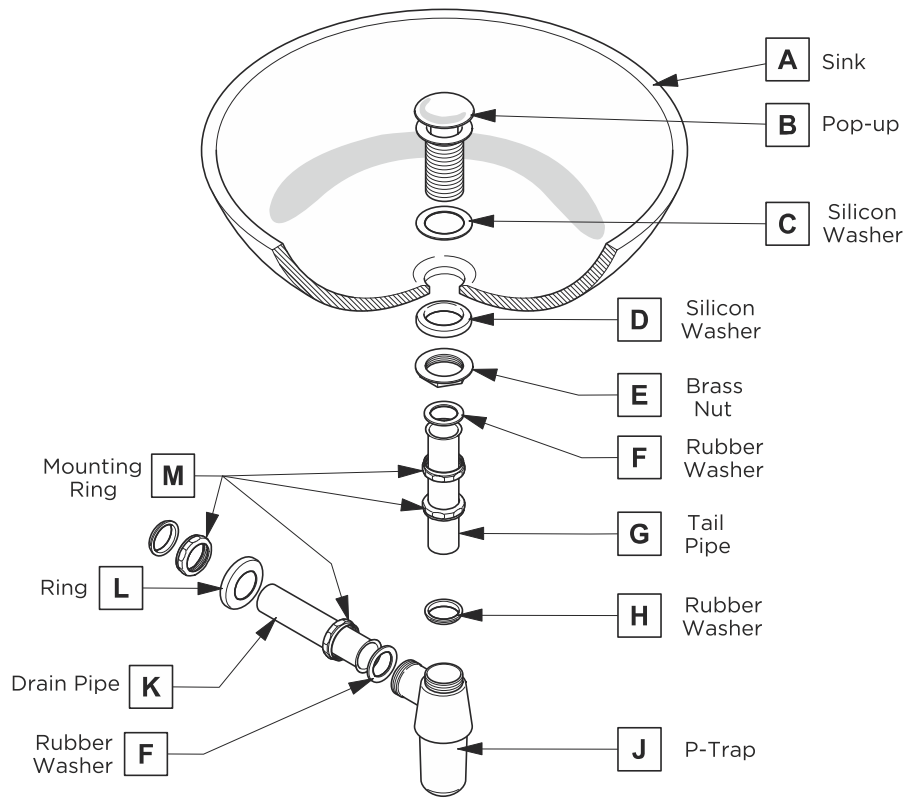


**5** Install mirror (A)



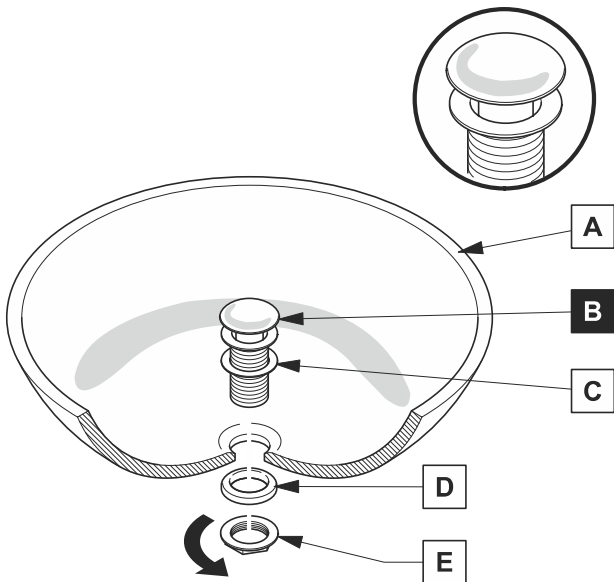
## P-TRAP AND POP-UP INSTALLATION INSTRUCTIONS

Your item may appear slightly different from the illustration



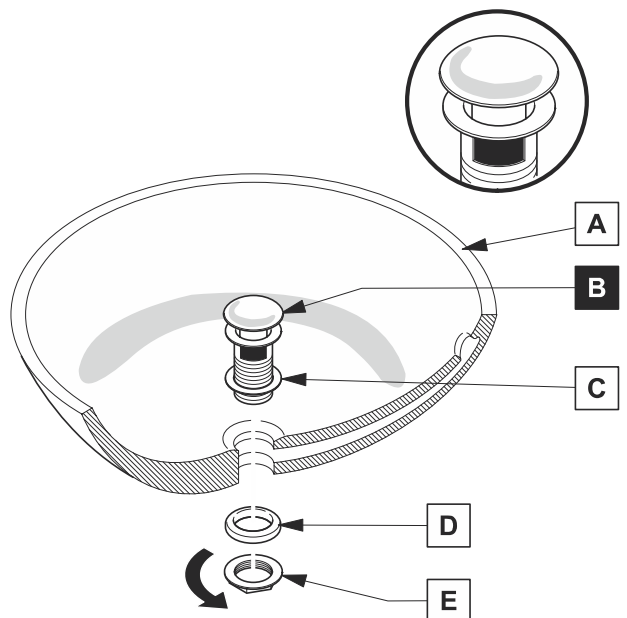
### POP-UP INSTALLATION

#### FOR SINKS WITHOUT OVERFLOW



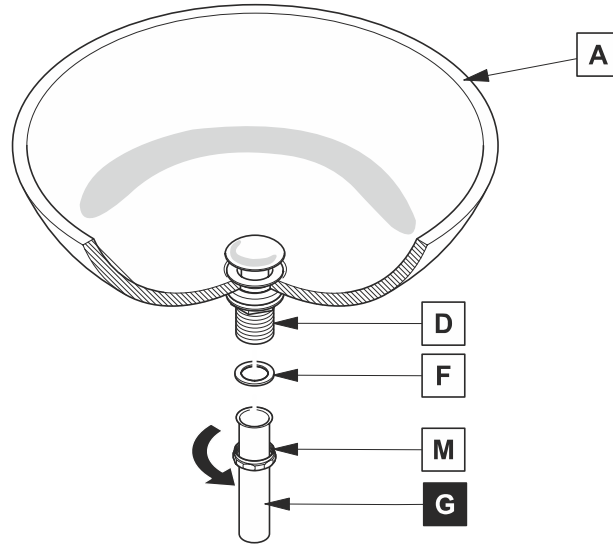
OR

#### FOR SINKS WITH OVERFLOW

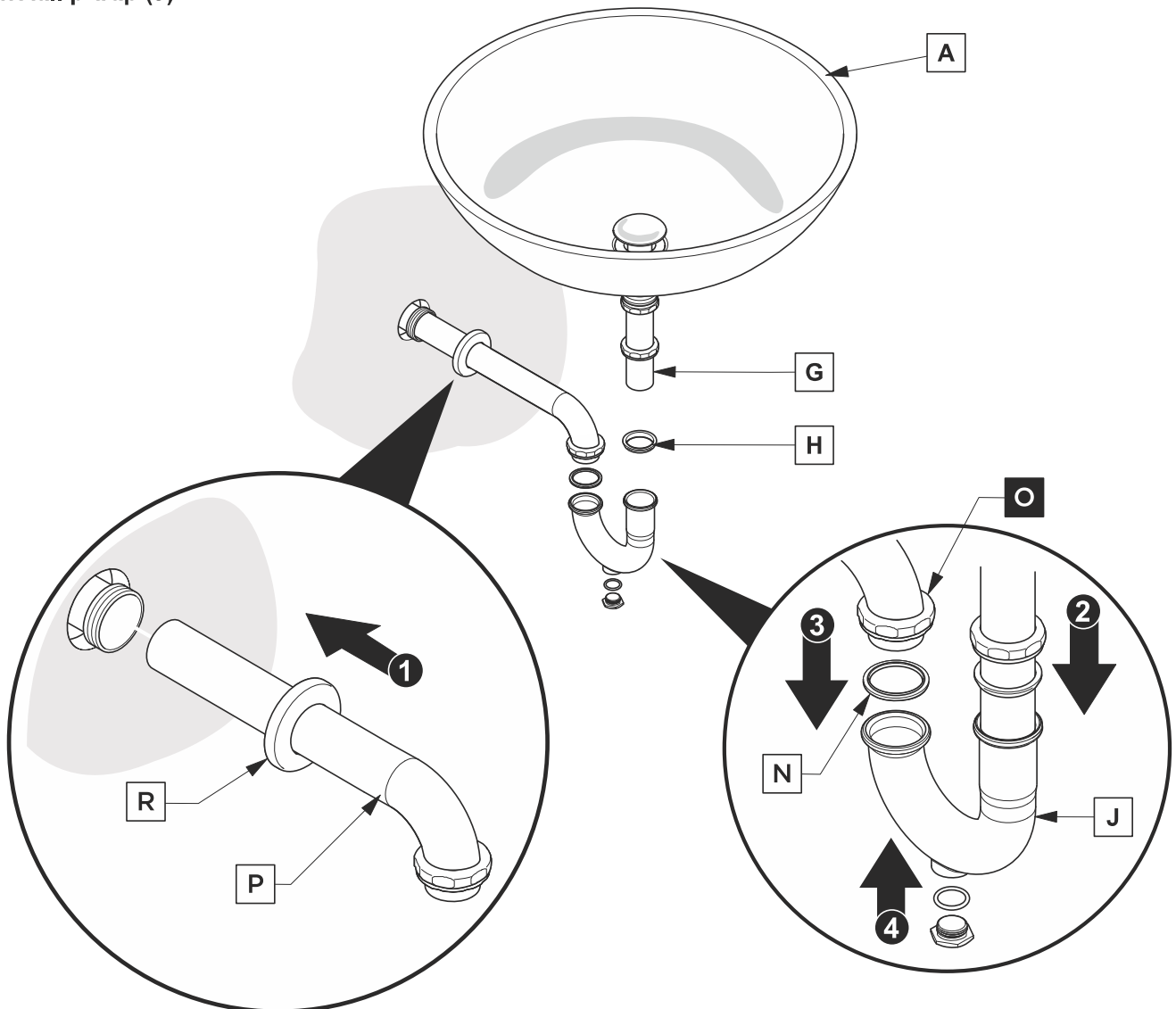


# P-TRAP INSTALLATION

## 1 Install tail pipe (G)



## 2 Install p-trap (J)



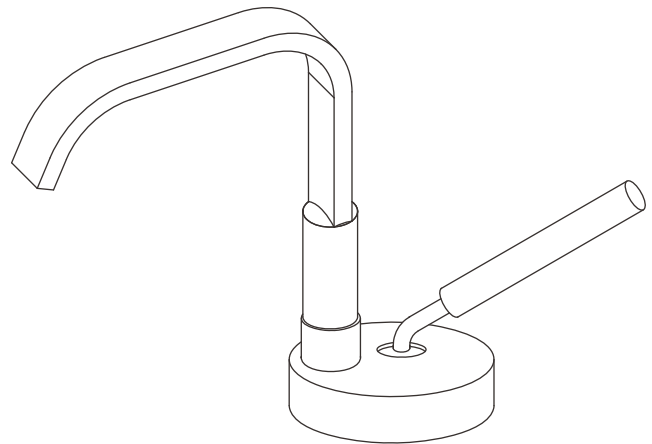


FRESCA®

## INSTALLATION INSTRUCTIONS

### FFT8002CH

Single hole faucet



### Important

We recommend that this product is installed by a qualified professional contractor.

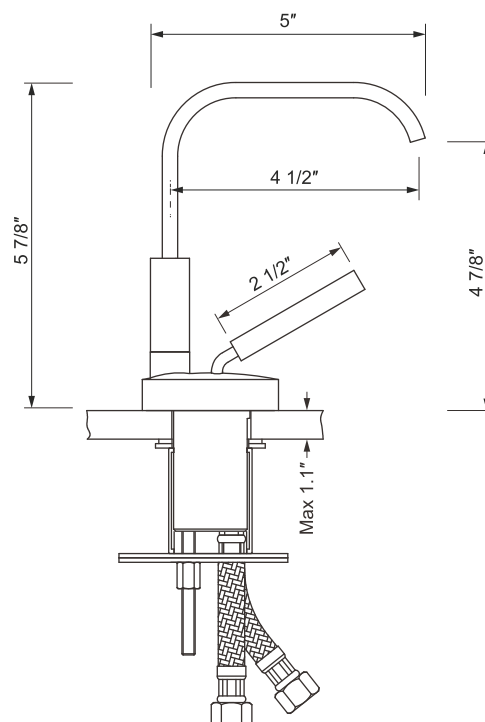
- Please check this product immediately to ensure that it has not been damaged and is complete.
- Please flush the water system to ensure that no debris or any other impurities can enter the taps.
- Turn off water supply before commencing work.
- Please read these instructions carefully and keep for future reference.

### Maintenance

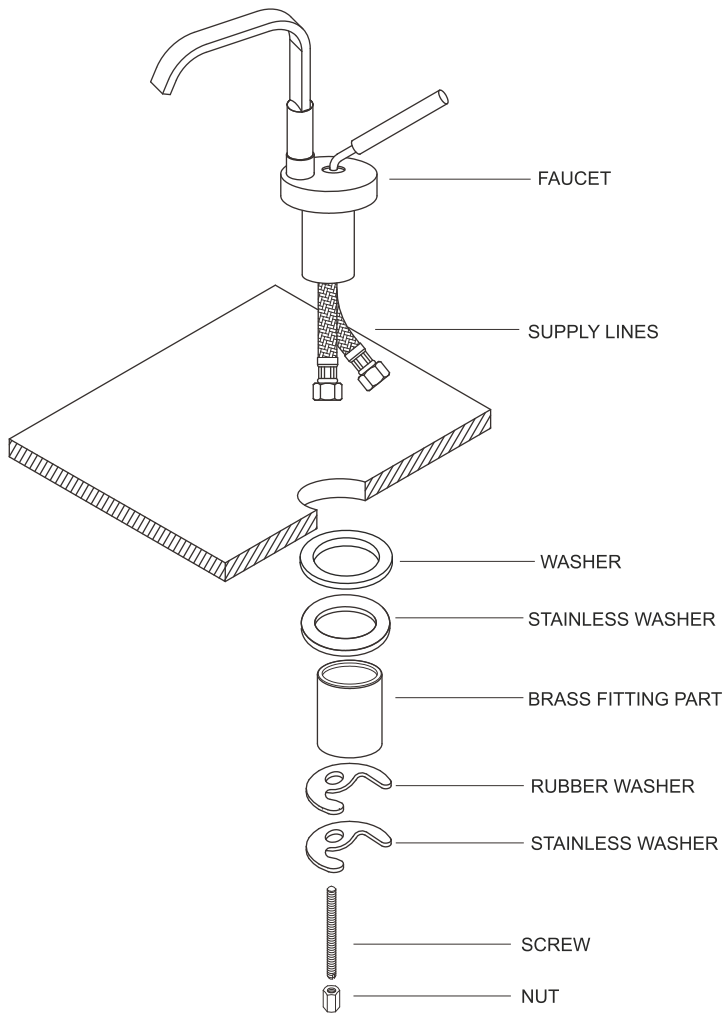
We do NOT recommend you use any household cleaners to clean the product. Because these cleaners change substance or formula too frequently. The product should always be cleaned with soapy water and rinsed with clean water and dried with a soft cloth.

### Dimensions

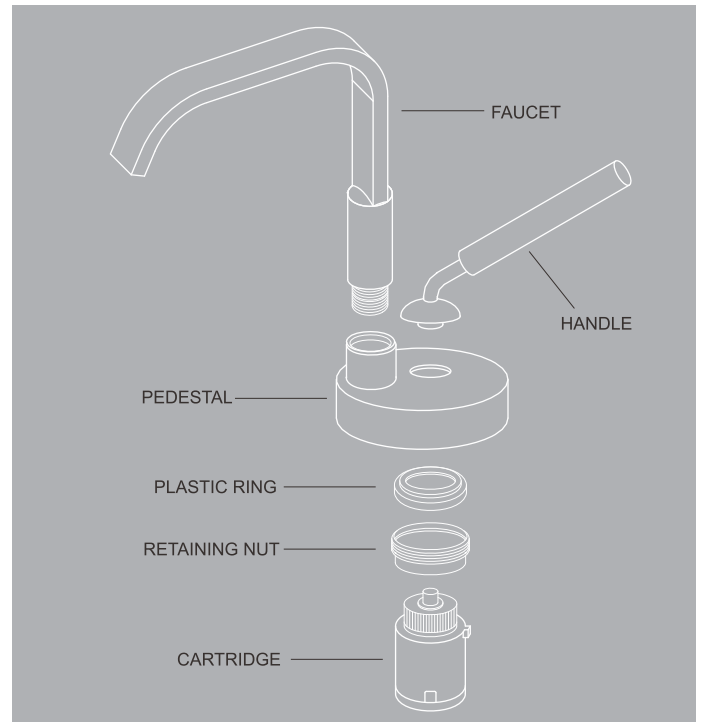
Unit: inches



## Installation



- 1: Screw the supply lines into the faucet and fully hand tighten.
- 2: Pass the tail of supply lines through the hole on the basin from above, fix the screw to the faucet.
- 3: Pass the rubber washer, stainless washer, brass fitting part, rubber washer and stainless washer through the screw from above, then tighten the nut.
- 4: Check that the faucet is correctly positioned, fully tighten the nut.
- 5: Connect the water supply pipes to the tail of supply lines with the hot water and cold water.



### To remove the cartridge.

**⚠ First shut off the water supply to the tap.**

- 1: Pull out the faucet from the pedestal.
- 2: Unscrew the pedestal.
- 3: Pull out the handle.
- 4: Pull out the plastic ring.
- 5: Unscrew the retaining nut.
- 6: Pull the cartridge and wash it with clean running water.
- 7: Dry and lightly grease the seals (only use silicone grease).