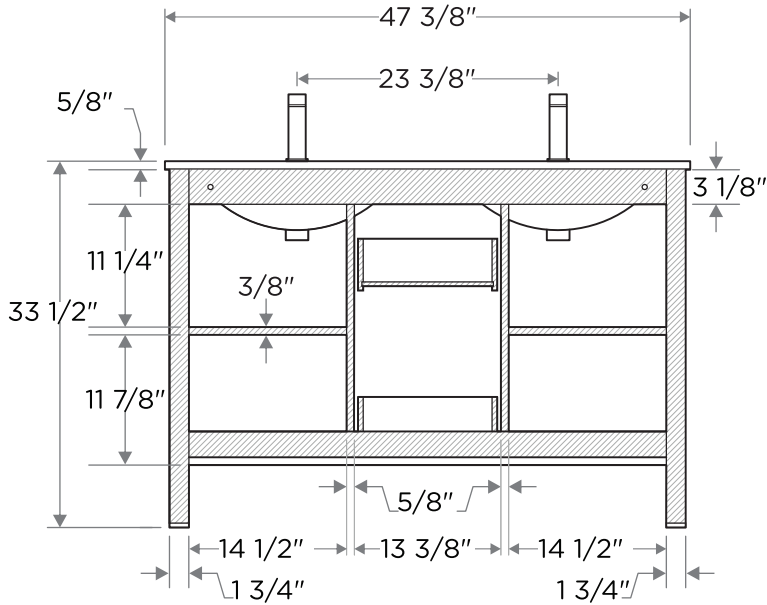


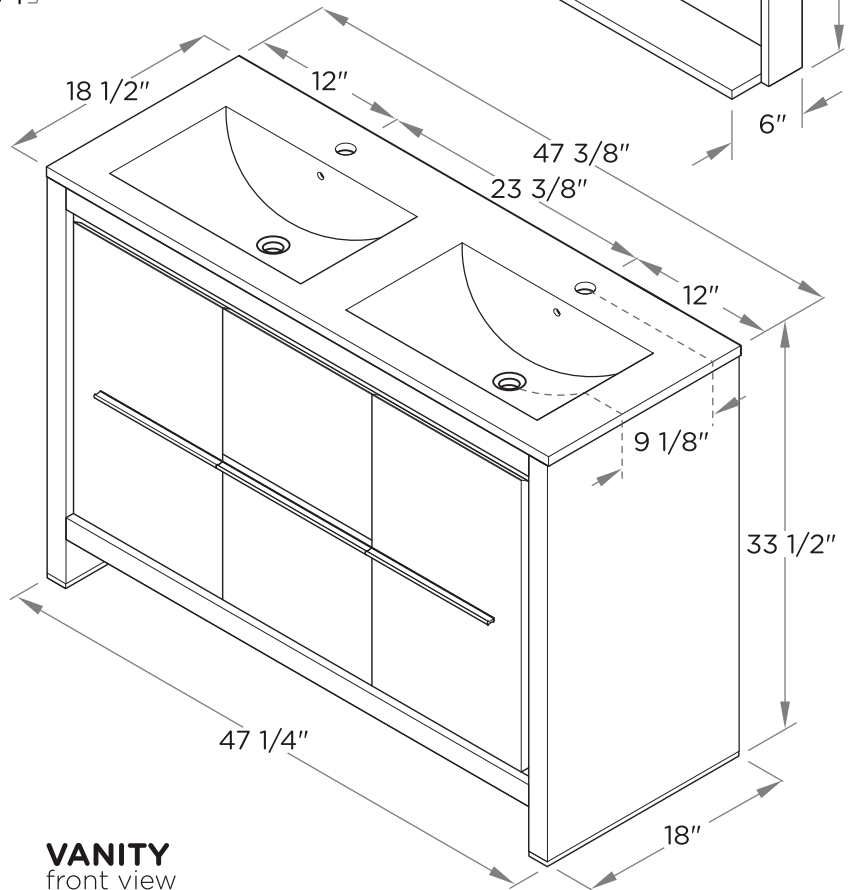
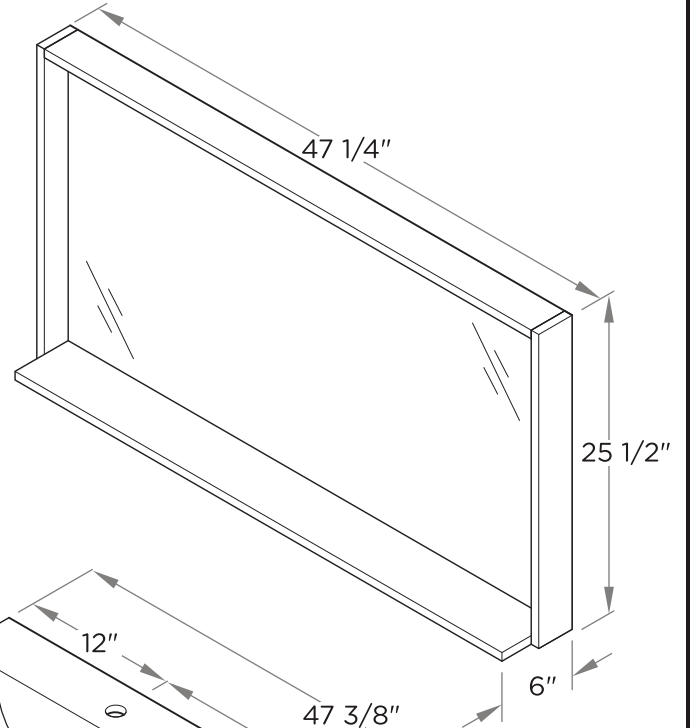
# FVN8148-D ALLIER INSTALLATION GUIDE



## DIMENSIONS



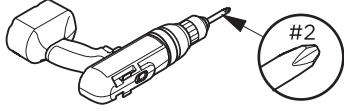
**CABINET**  
rear view



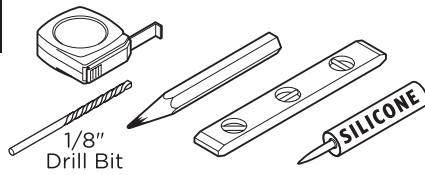
**VANITY**  
front view

 ALL DIMENSIONS & SPECIFICATIONS ARE APPROXIMATE AND SUBJECT TO CHANGE WITHOUT NOTICE.

**TOOLS FOR ASSEMBLY**



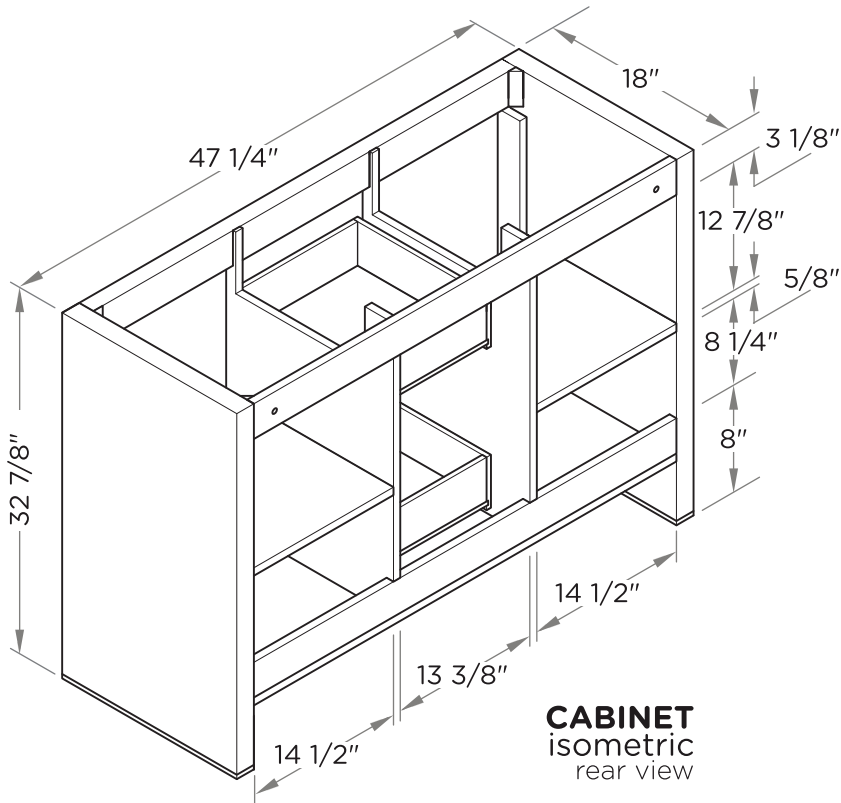
#2



1/8" Drill Bit

SILICONE

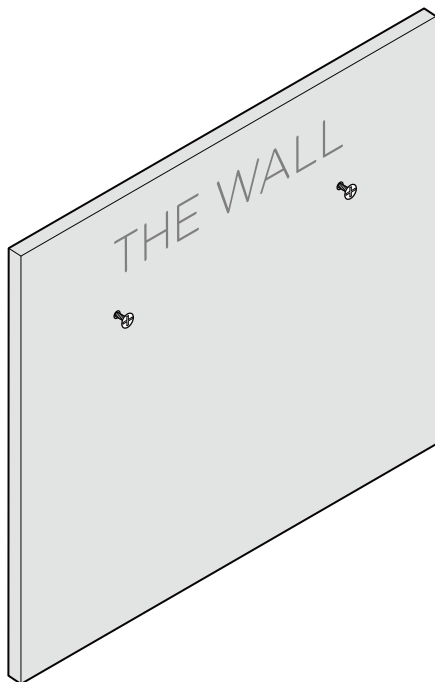
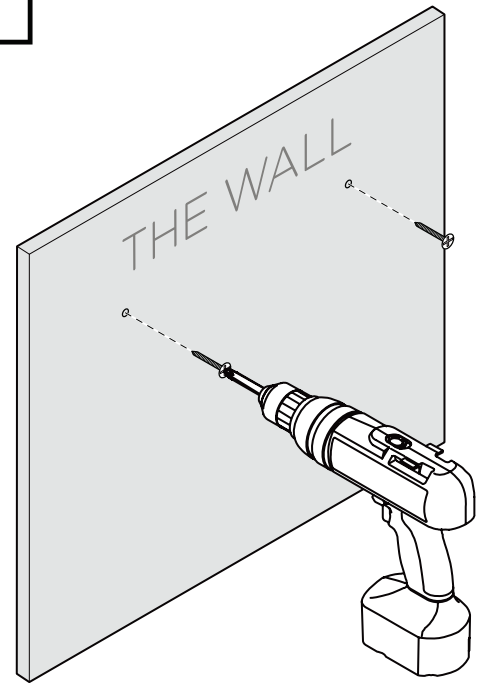
**DIMENSIONS**



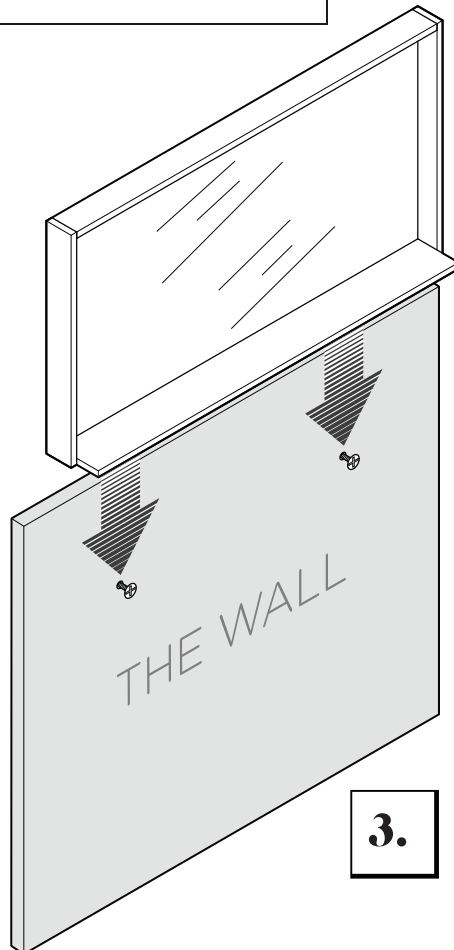
**CABINET**  
isometric  
rear view

**MIRROR INSTALLATION**

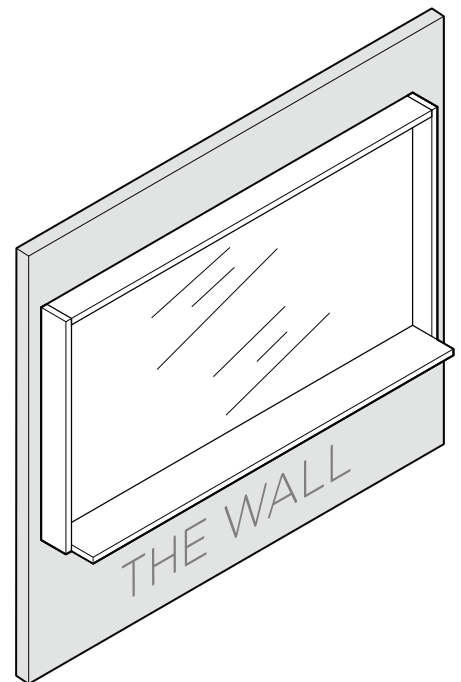
**1.**



**2.**



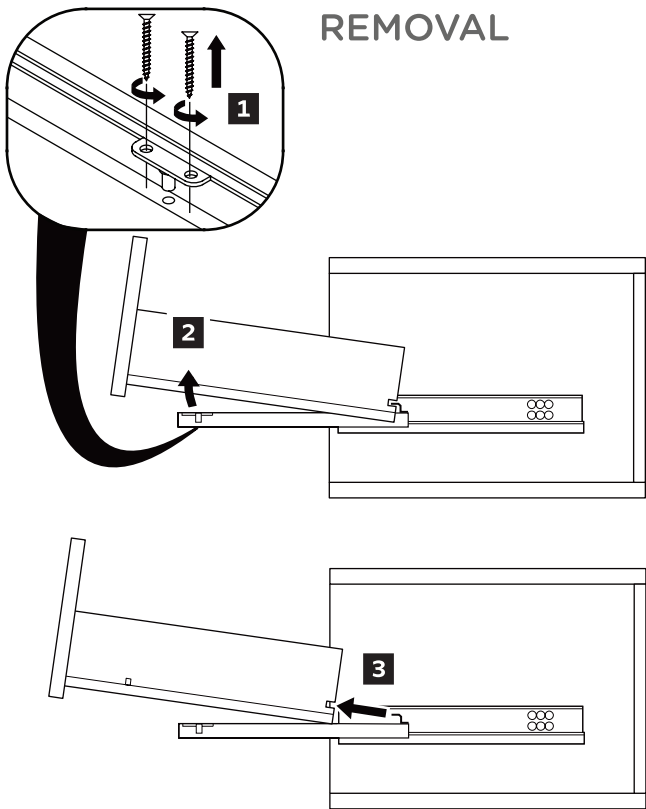
**3.**



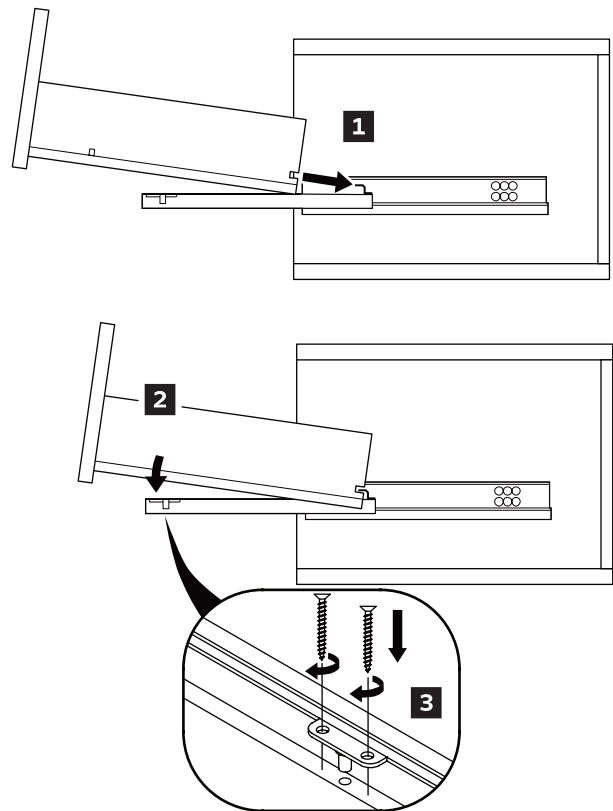
**4.**

# DRAWER REMOVAL & INSTALLATION

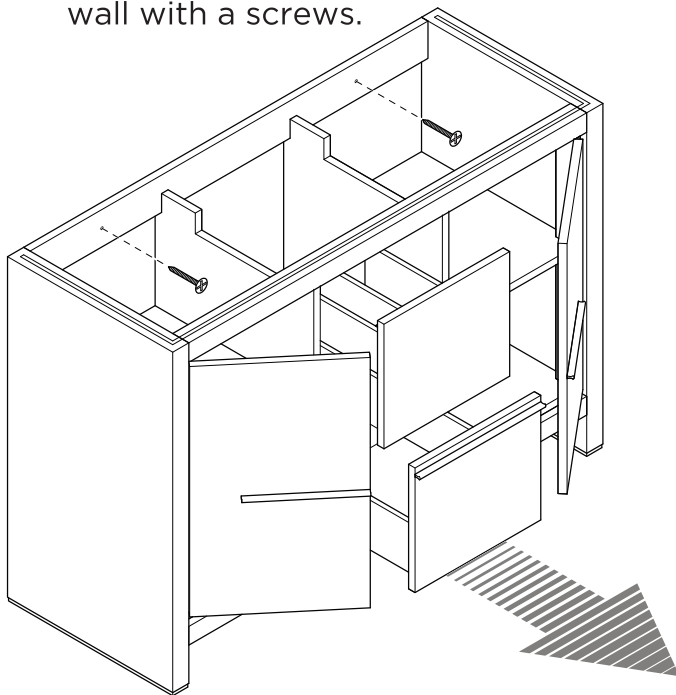
## REMOVAL



## INSTALLATION

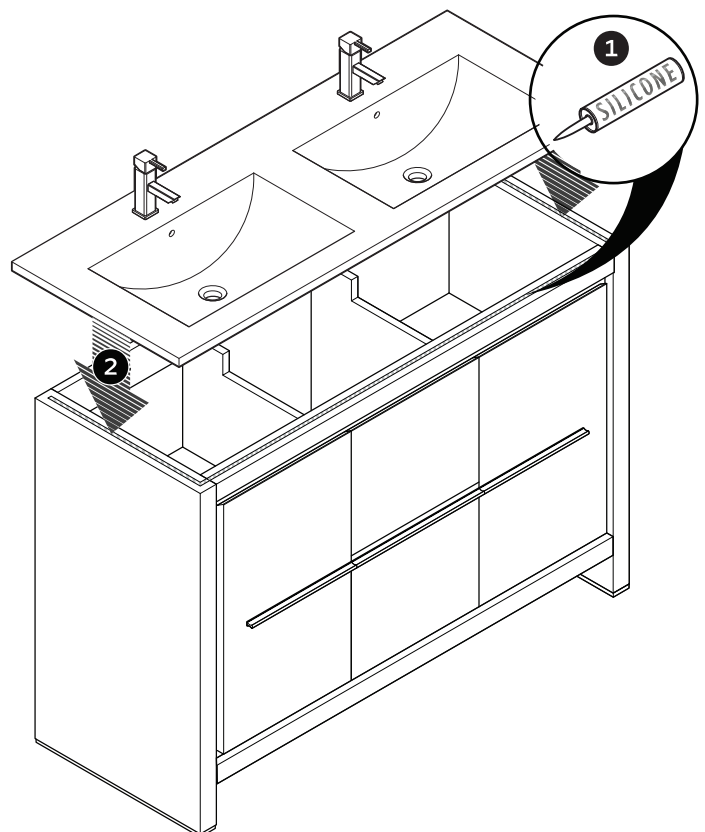


1. Remove the drawers and open the doors. Connect the cabinet to the wall with a screws.



CONSULT AN EXPERT FOR THE PROPER SCREWS/BOLTS TO USE WHEN ATTACHING TO VARIOUS WALL CONSTRUCTIONS. SCREWS PROVIDED DO NOT ATTACH TO ALL WALL CONSTRUCTION TYPES.

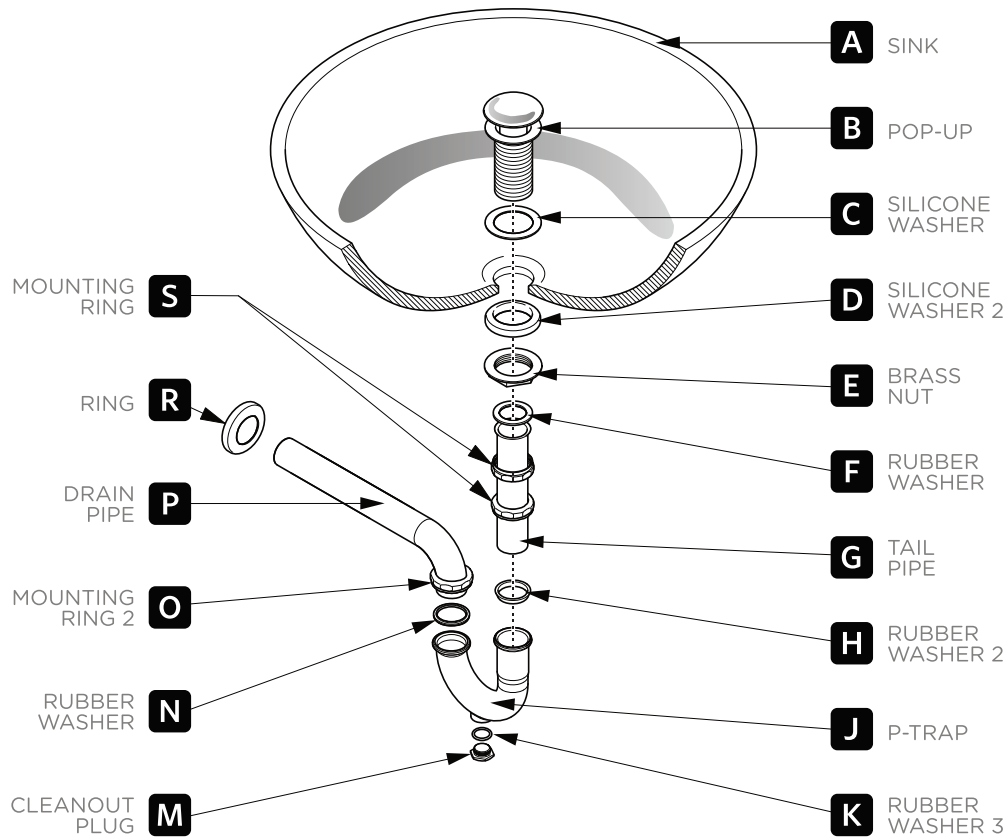
2. Apply a layer of silicone and place counter-top on the cabinet.



# P-TRAP & POP-UP

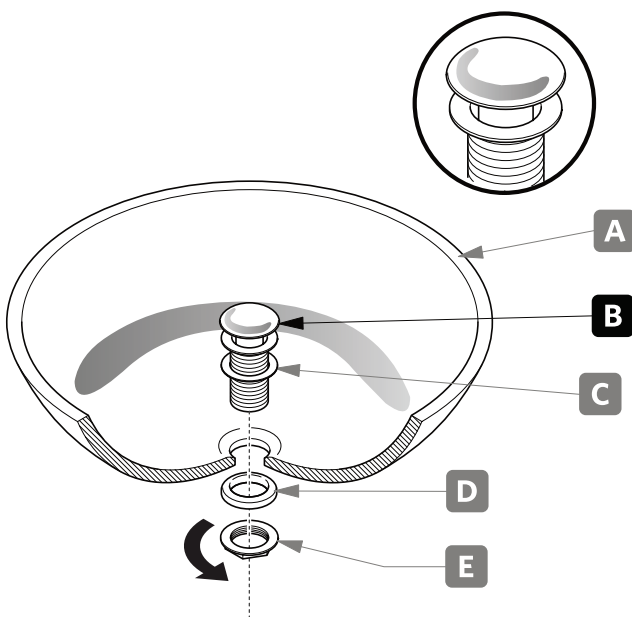
## INSTALLATION INSTRUCTIONS

YOUR ITEM MAY APPEAR SLIGHTLY DIFFERENT FROM THE ILLUSTRATION.



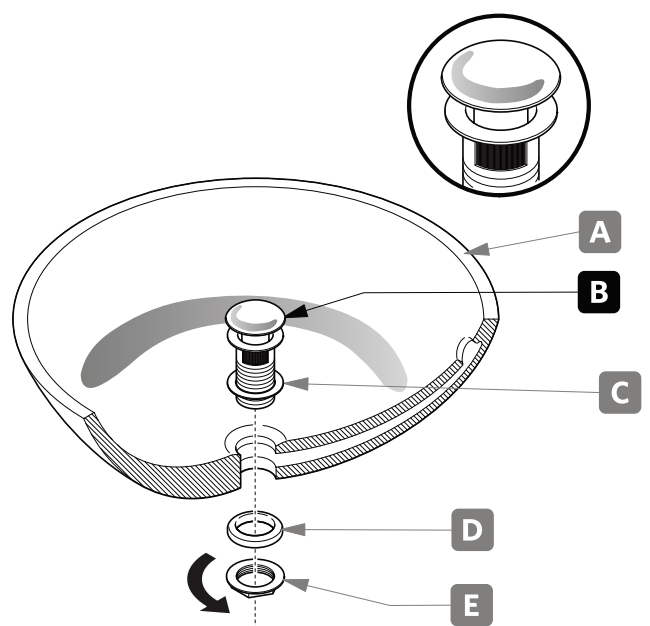
## POP-UP INSTALLATION

**FOR SINKS WITHOUT OVERFLOW**



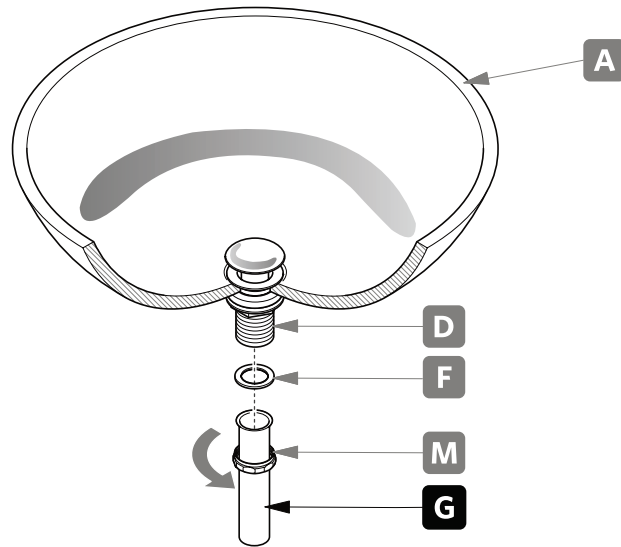
OR

**FOR SINKS WITH OVERFLOW**



# P-TRAP INSTALLATION

**1.** Install tail pipe (G).



**2.** Install P-trap (J).

