



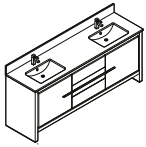
# FVN8172

# ALLIER

## **INSTALLATION GUIDE**

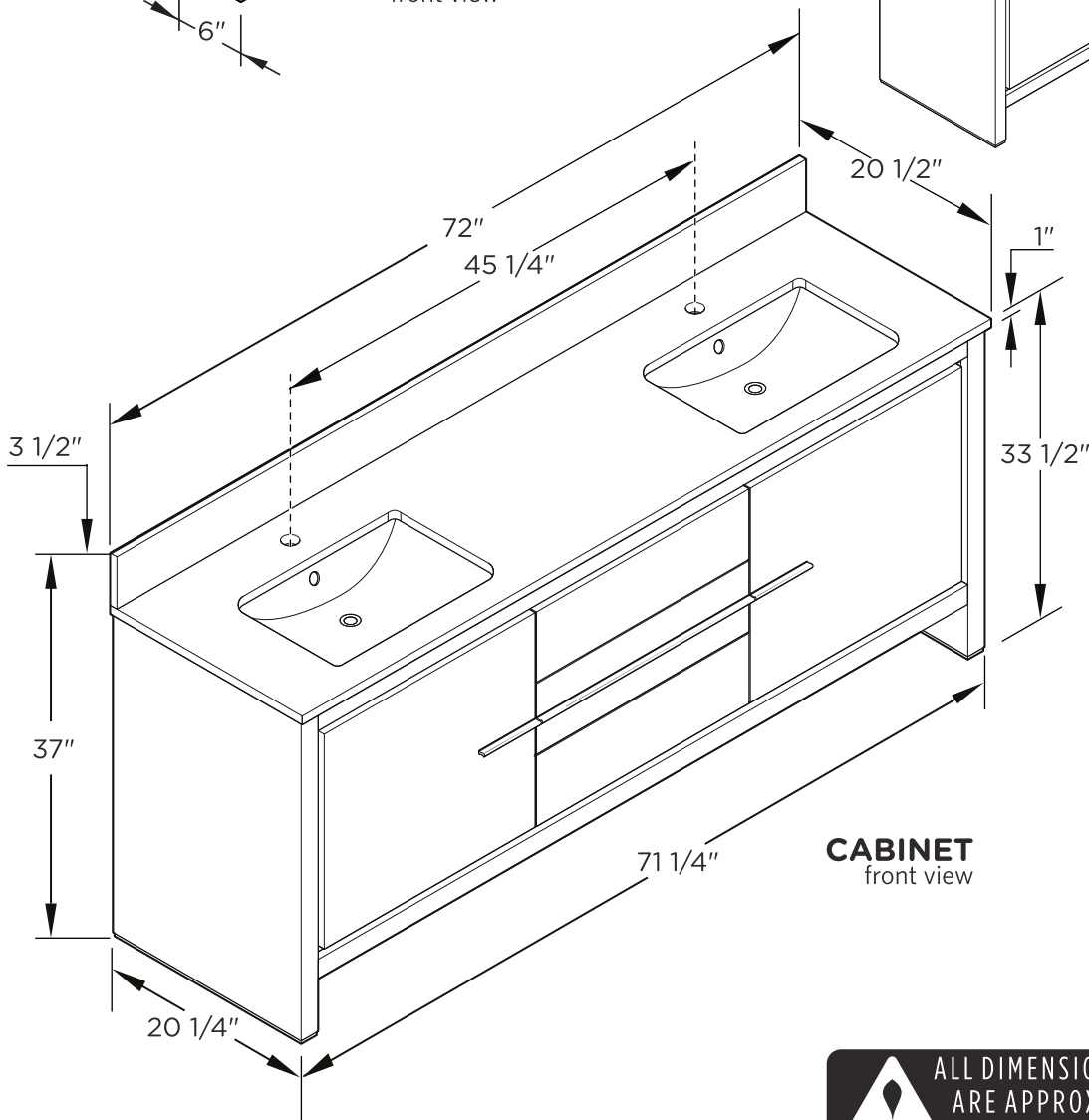
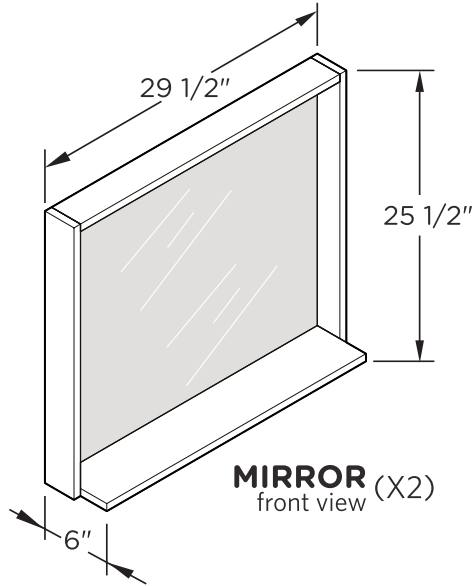
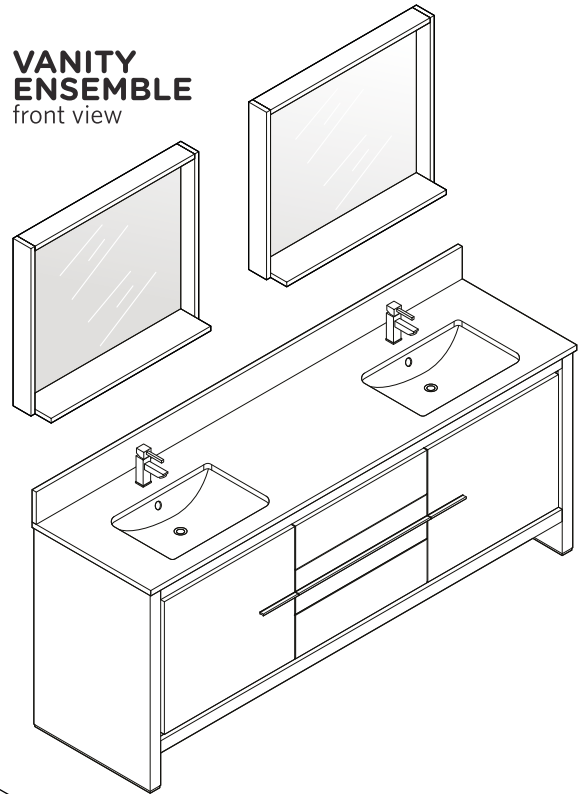
### CONTENTS:

Cabinet.....(FCB8172).....	PAGE 3 (STEP 1)
Countertop.....(FCT8172).....	PAGE 4 (STEP 3)
Mirror.....(FMR8172).....	PAGE 2



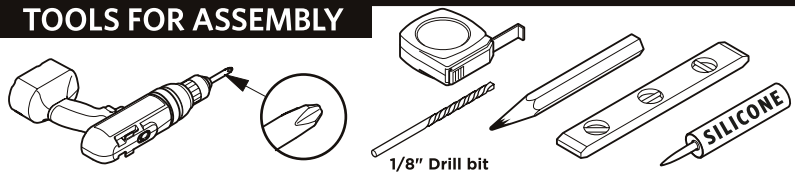
**SPECIFICATION SHEET**

**VANITY ENSEMBLE**  
 front view

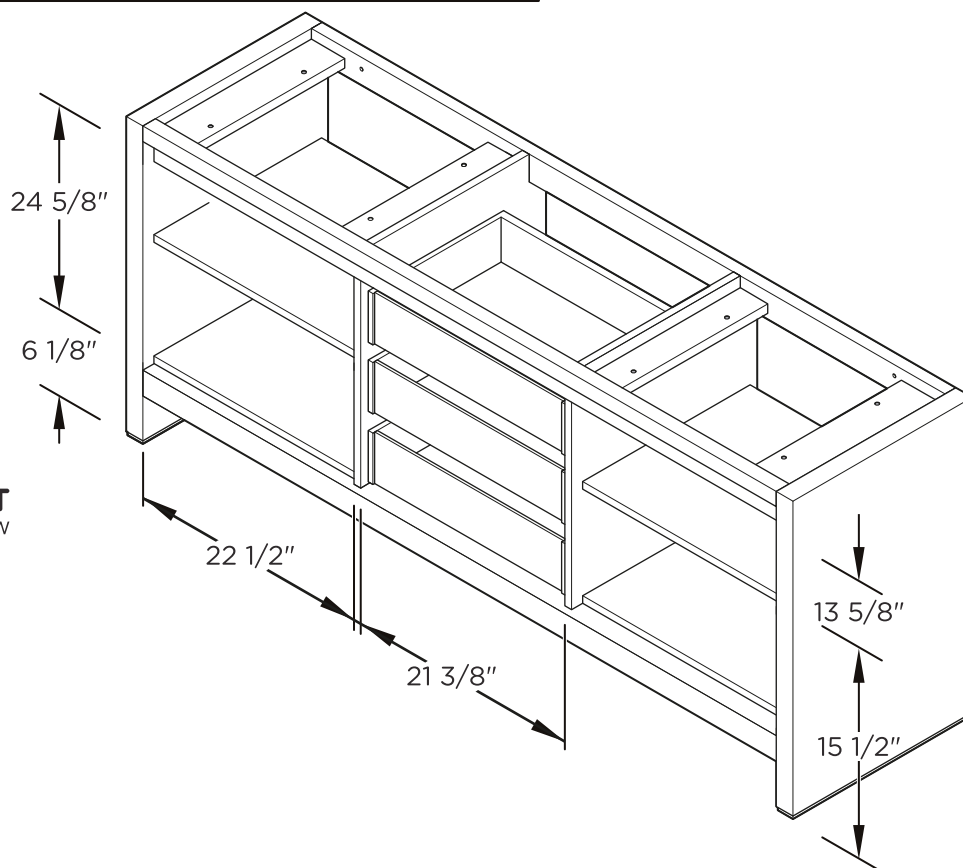


**! ALL DIMENSIONS & SPECIFICATIONS ARE APPROXIMATE AND SUBJECT TO CHANGE WITHOUT NOTICE.**

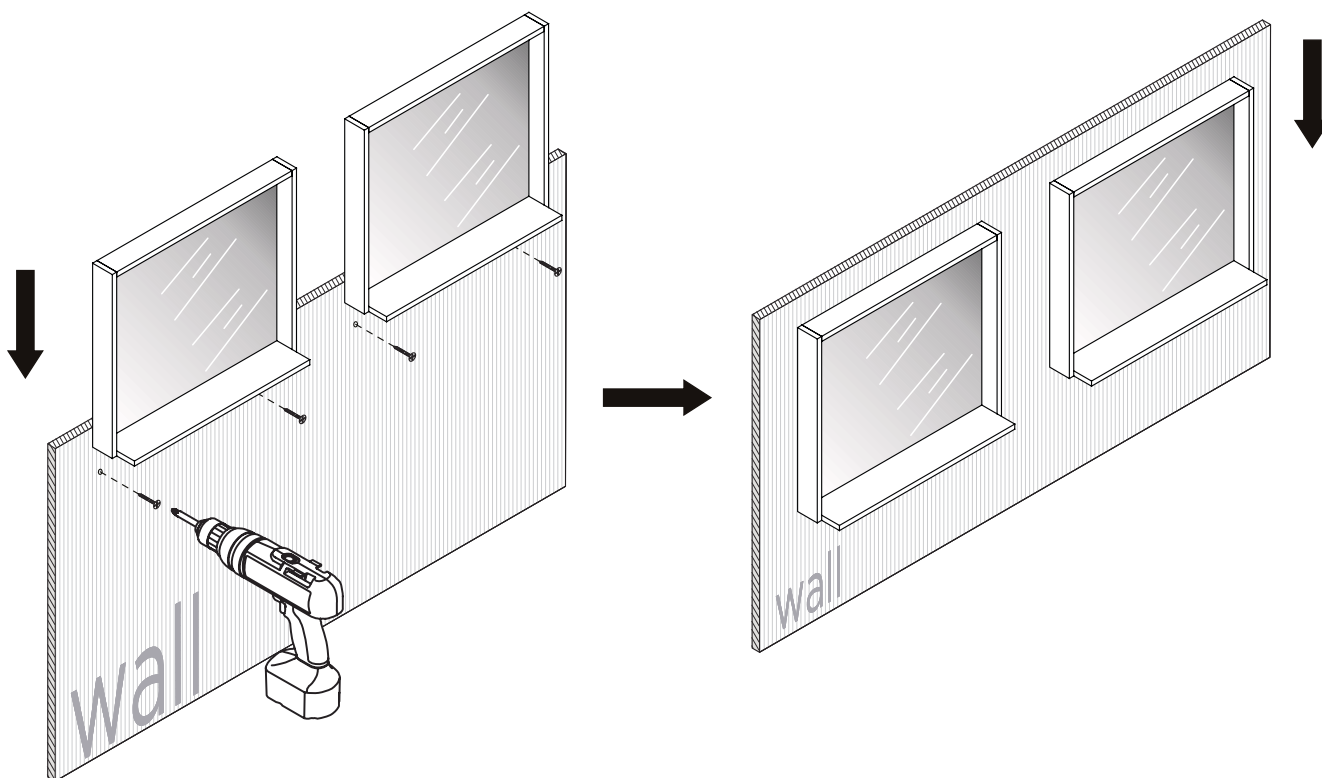
## TOOLS FOR ASSEMBLY



**CABINET**  
back view

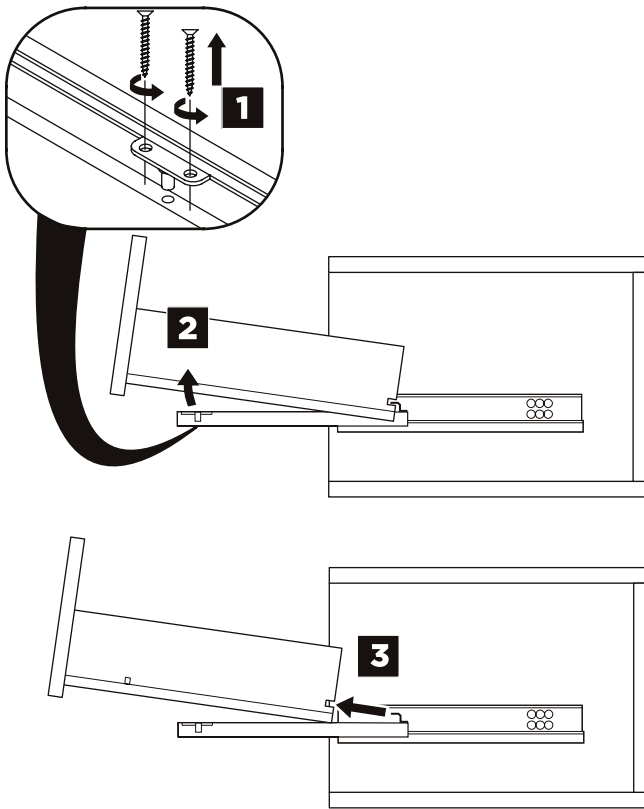


## MIRROR INSTALLATION

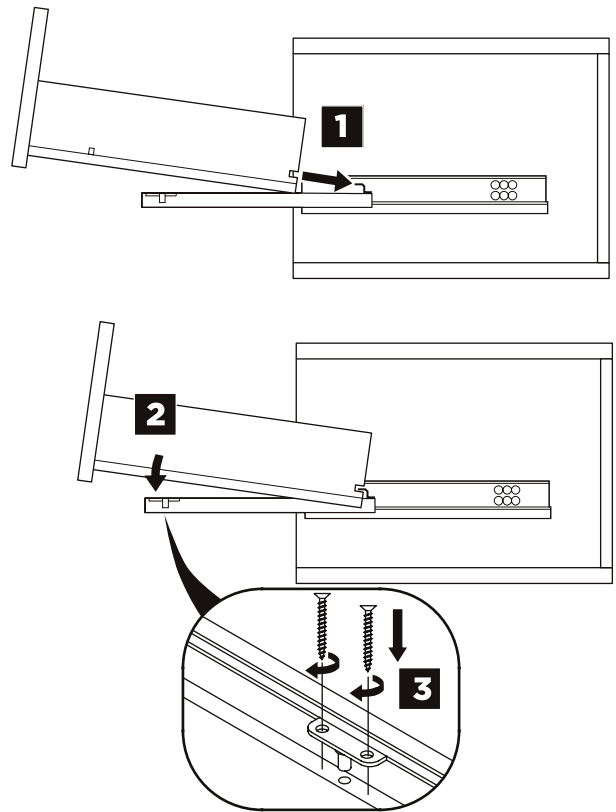


# DRAWER REMOVAL & INSTALLATION

## REMOVAL

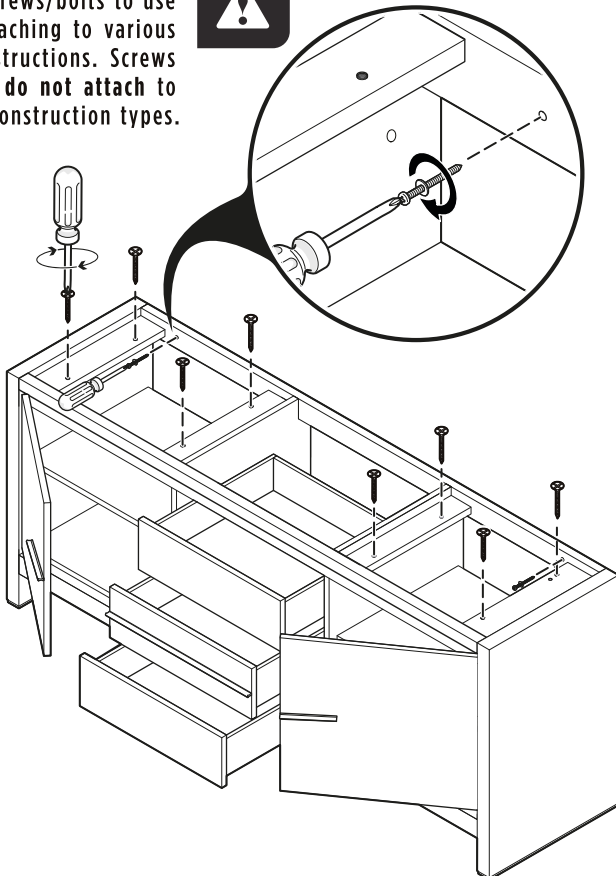


## INSTALLATION

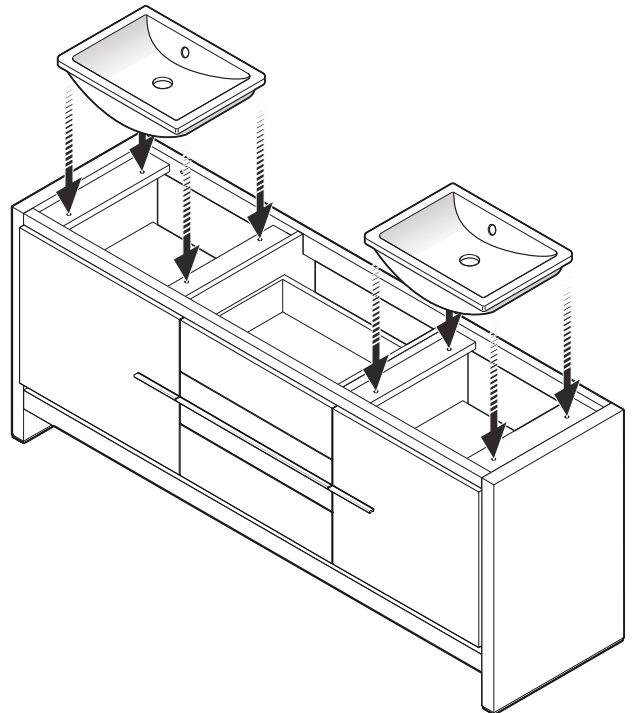


### 1. Attach Screws

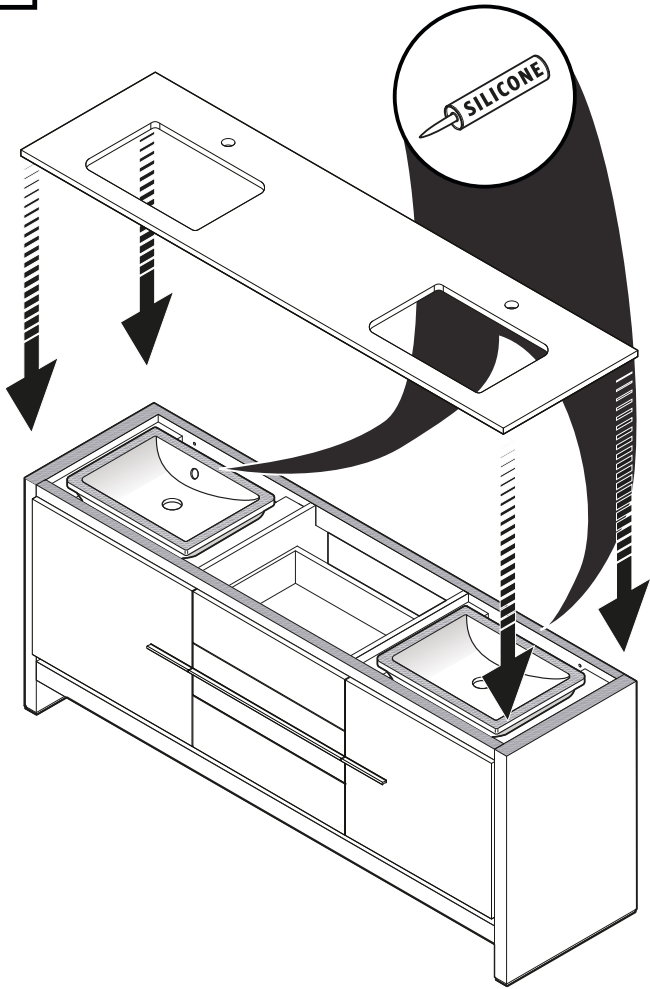
Consult an expert for the proper screws/bolts to use when attaching to various wall constructions. Screws provided do not attach to all wall construction types.



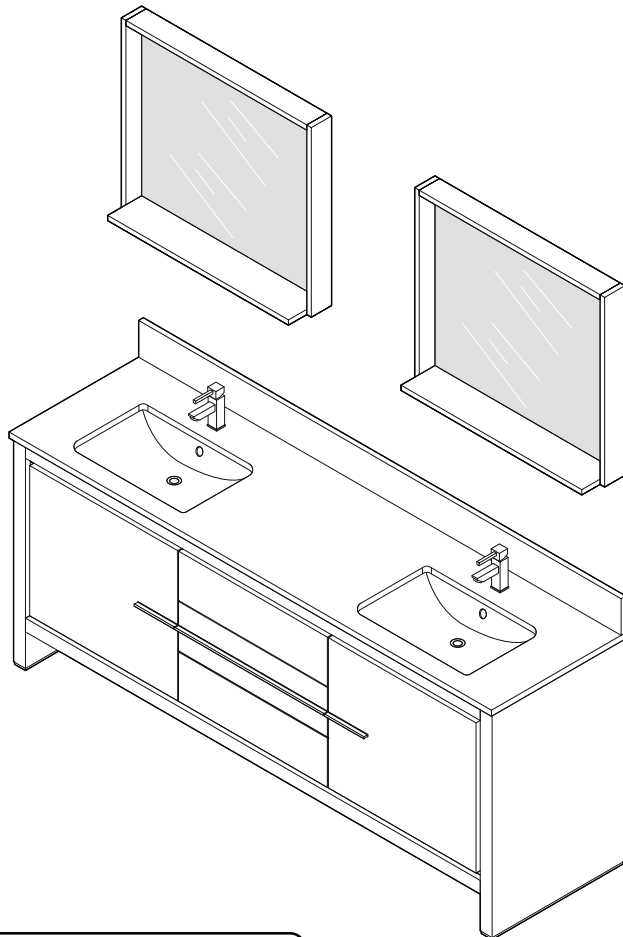
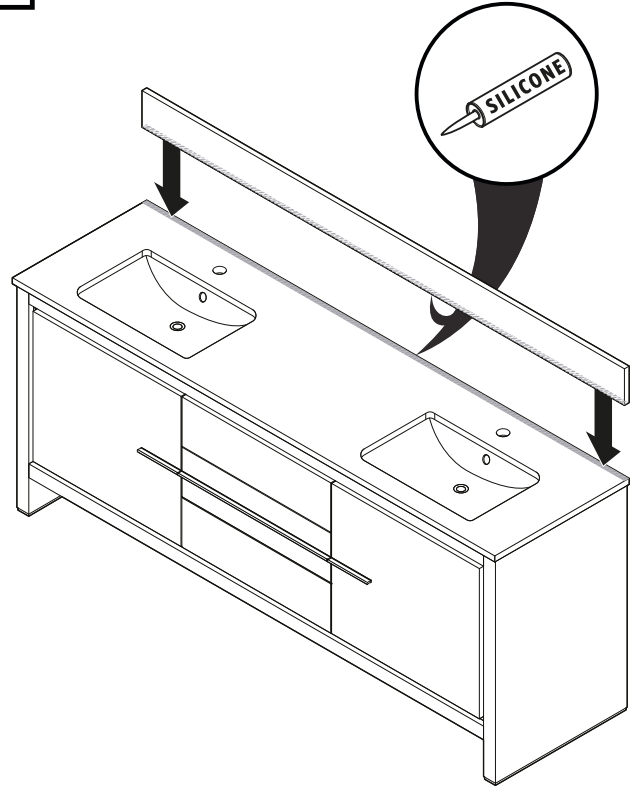
### 2. Install Sinks



**3.** Install Countertop



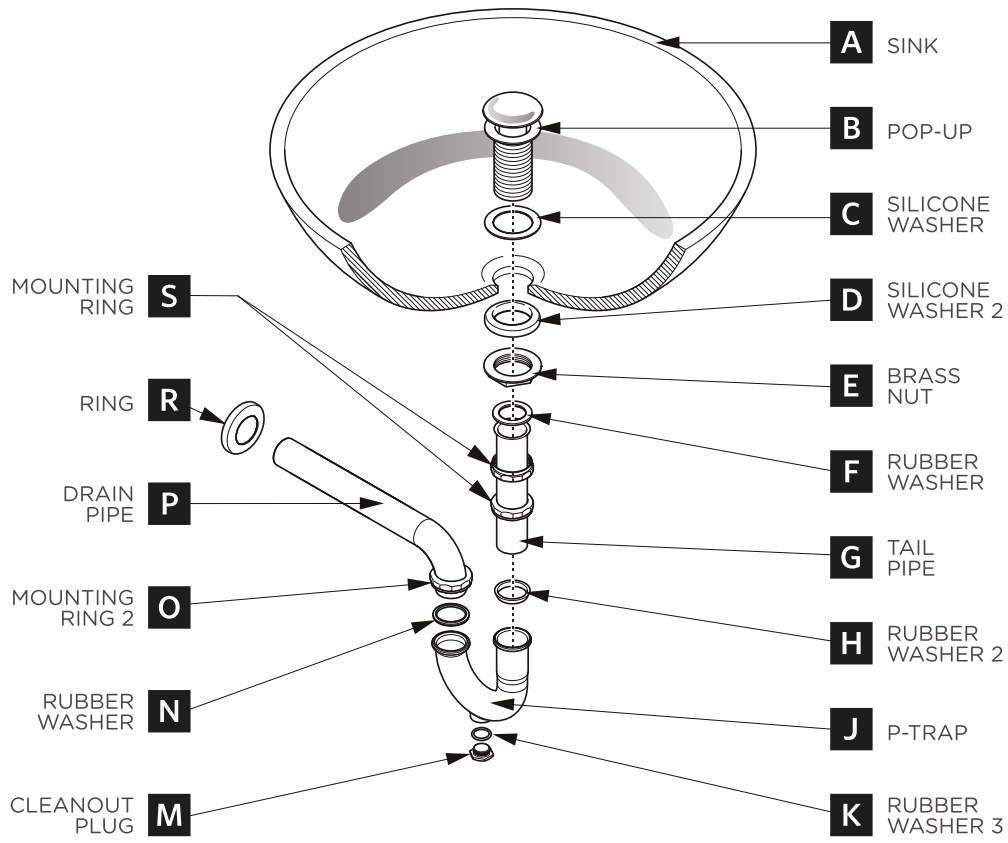
**4.** Install Backsplash



# P-TRAP & POP-UP

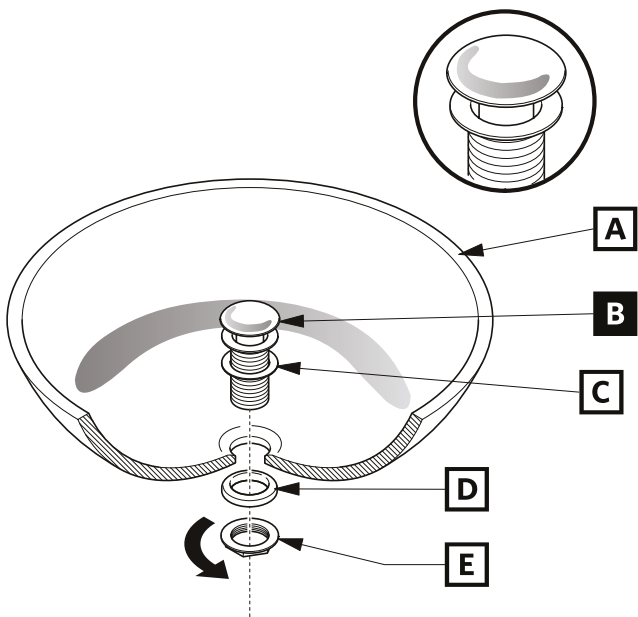
## INSTALLATION INSTRUCTIONS

Your item may appear slightly different from the illustration.



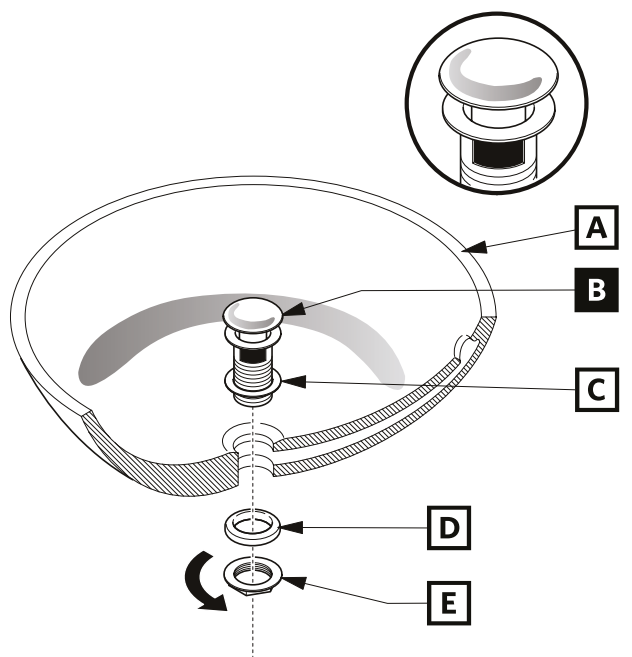
### POP-UP INSTALLATION

#### FOR SINKS WITHOUT OVERFLOW



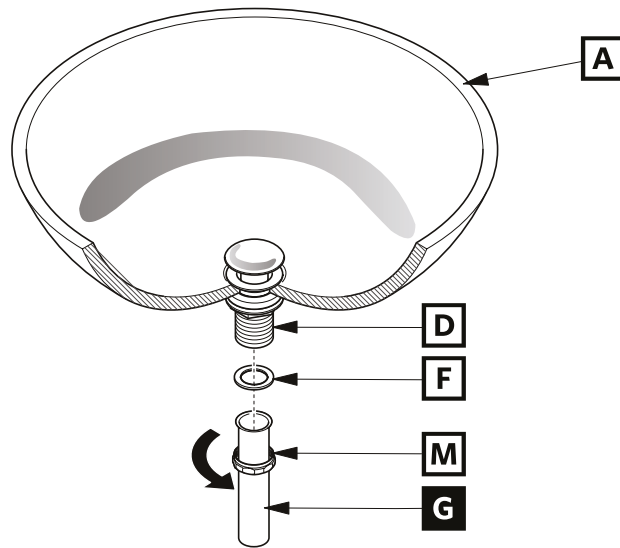
OR

#### FOR SINKS WITH OVERFLOW



# P-TRAP INSTALLATION

**1.** Install tail pipe (G)



**2.** Install P-trap (J)

