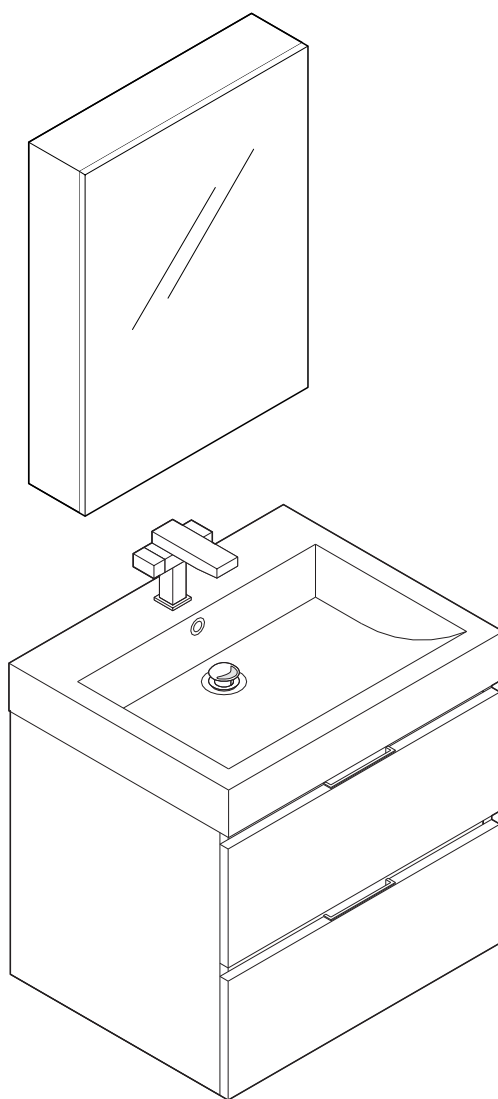
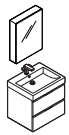
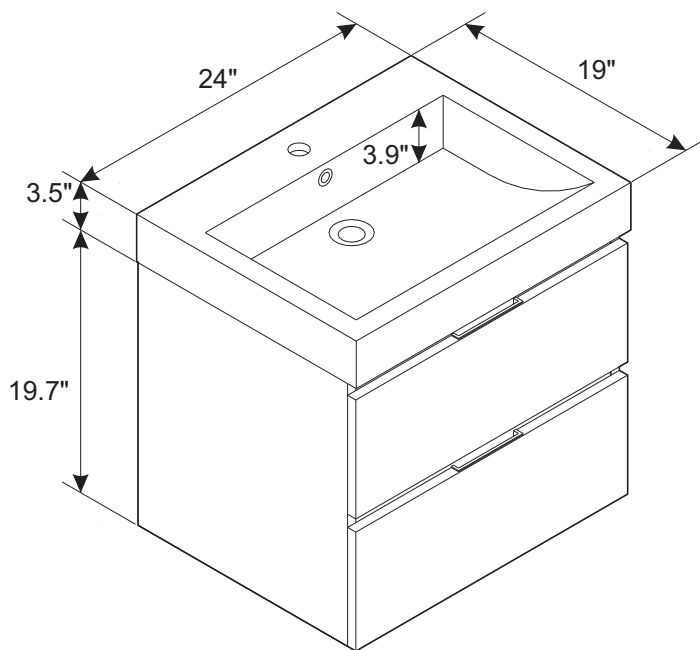
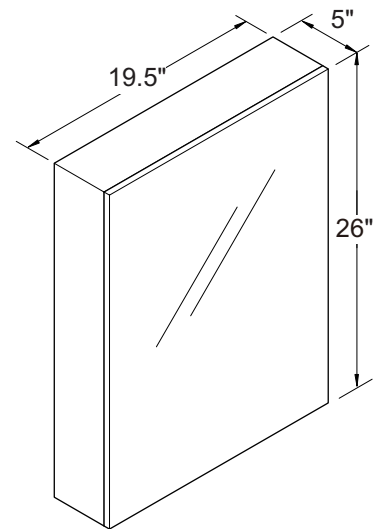
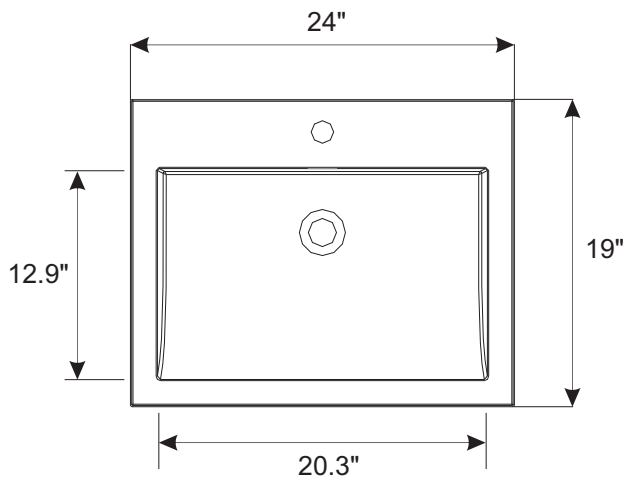


**FVN8324**  
**VALENCIA**  
**INSTALLATION GUIDE**

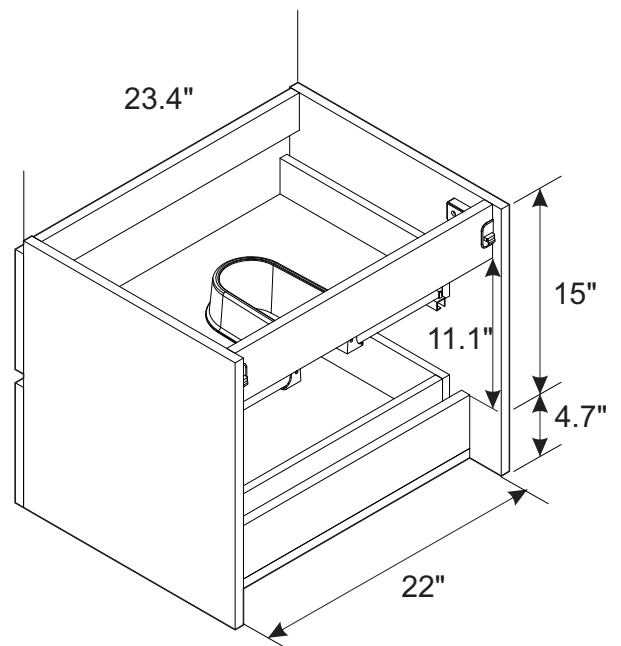




Medicine Cabinet



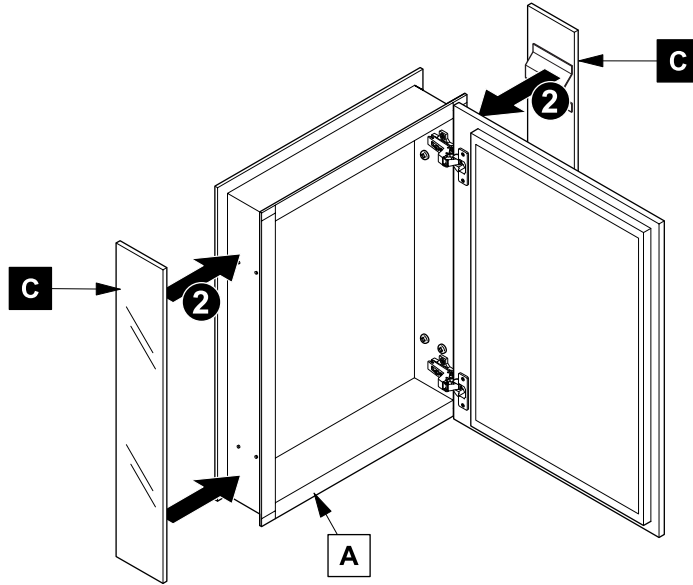
Vanity Front



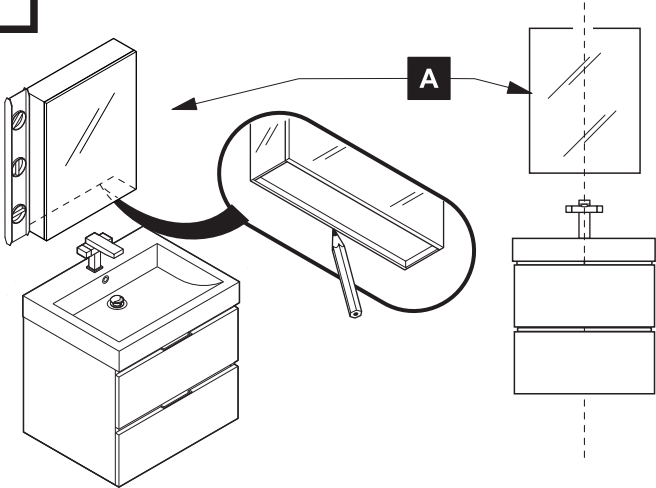
Vanity Back

# MEDICINE CABINET INSTALLATION

## 1 Install side mirrors (C)

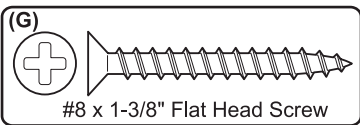
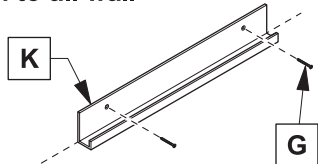


## 2 Mark cabinet (A) location

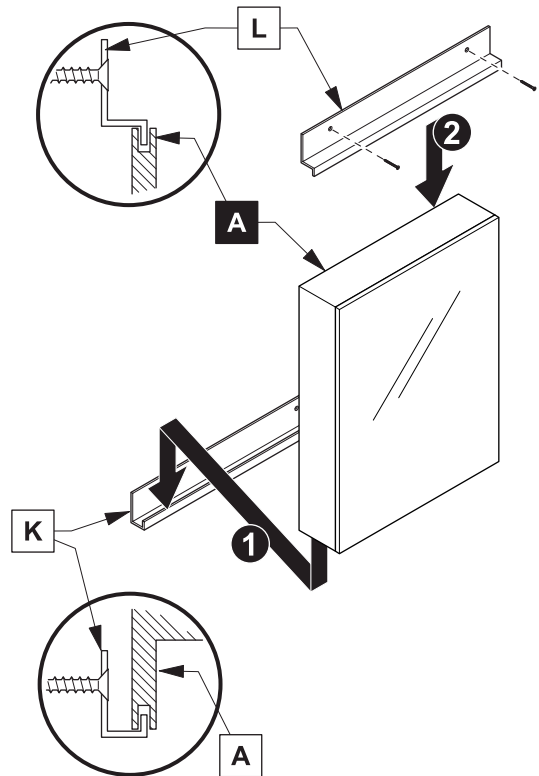
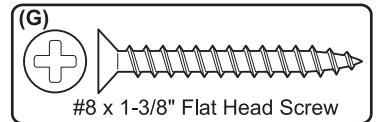


## 3 Install bottom bracket (K)

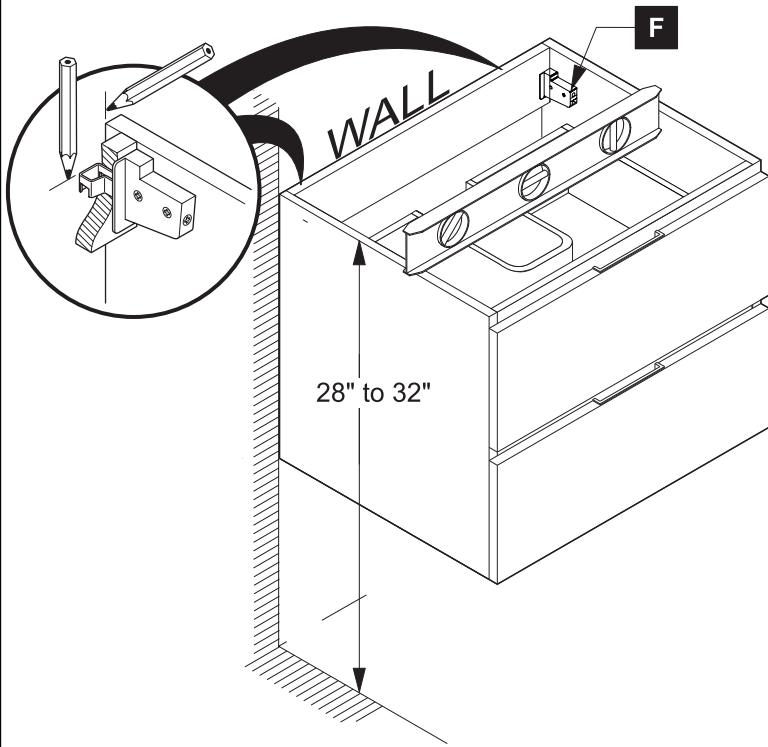
**IMPORTANT:** Consult an expert for the proper screws/bolts to use when attaching to various wall constructions. Screws provided do not attach to all wall construction types.



## 4 Install cabinet (A) and top bracket (L)

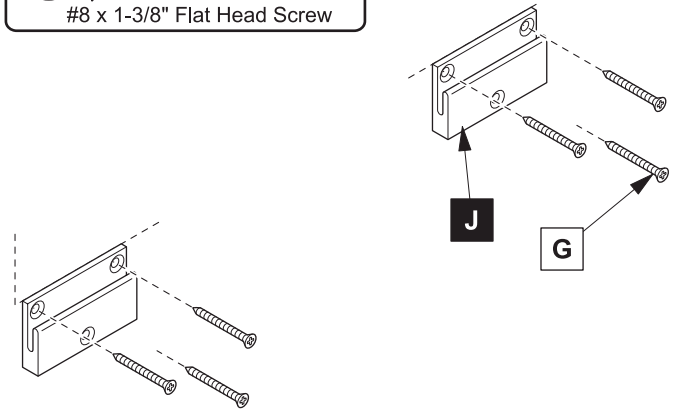
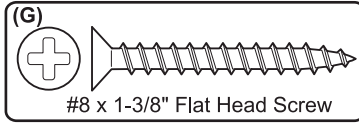


# 1 Mark cabinet (F) location on the wall

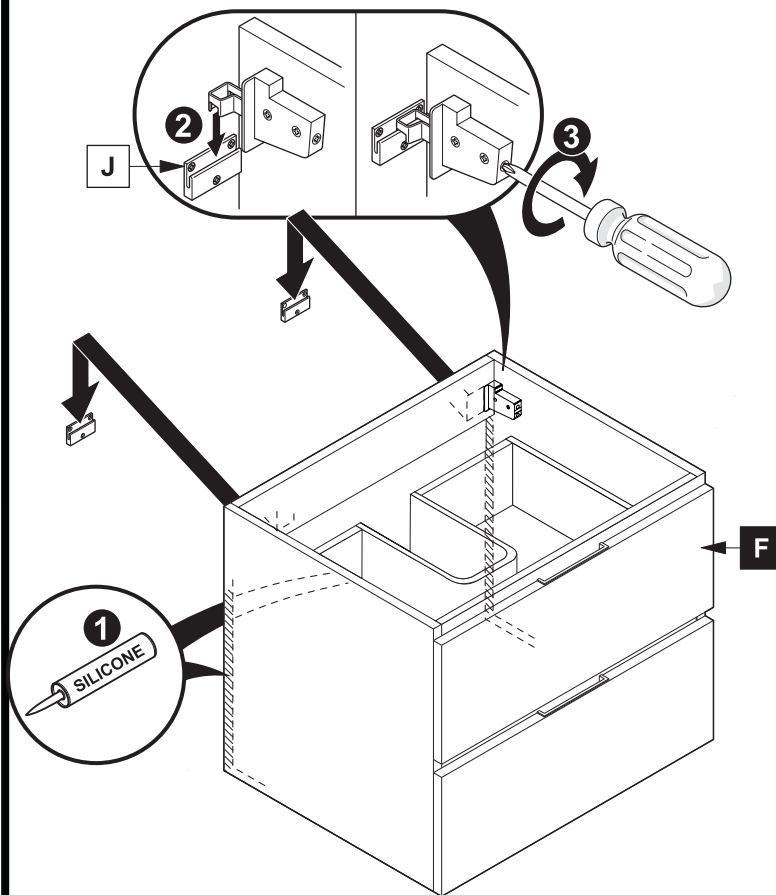


# 2 Install wall brackets (J)

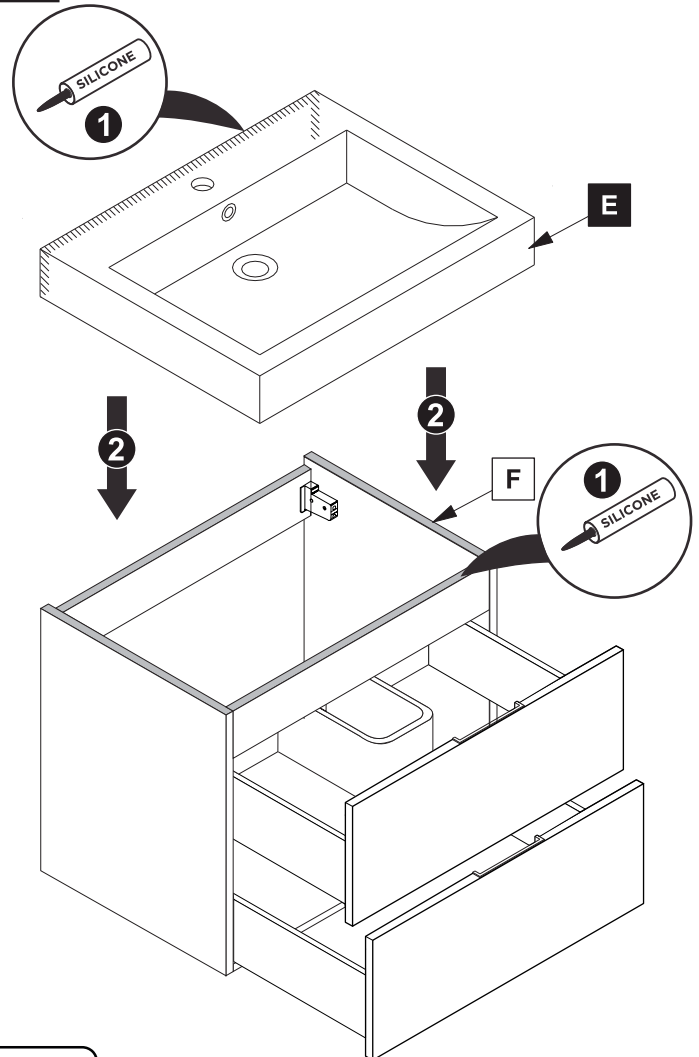
**IMPORTANT:** Consult an expert for the proper screws / bolts to use when attaching to various wall constructions. Screws provided *do not* attach to all wall construction types.



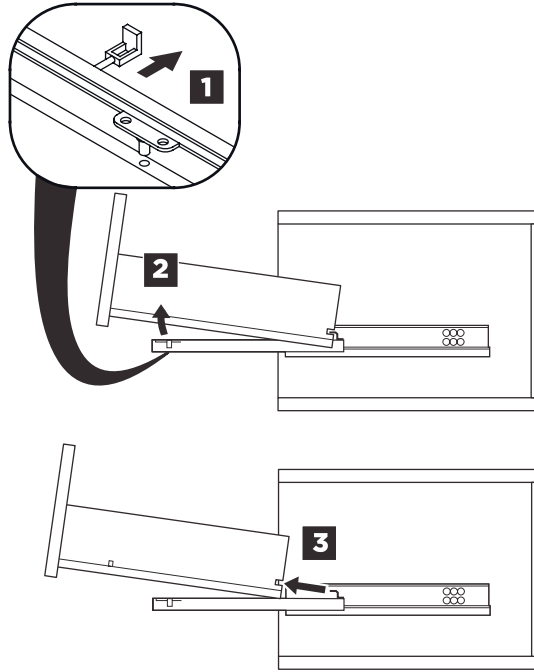
# 3



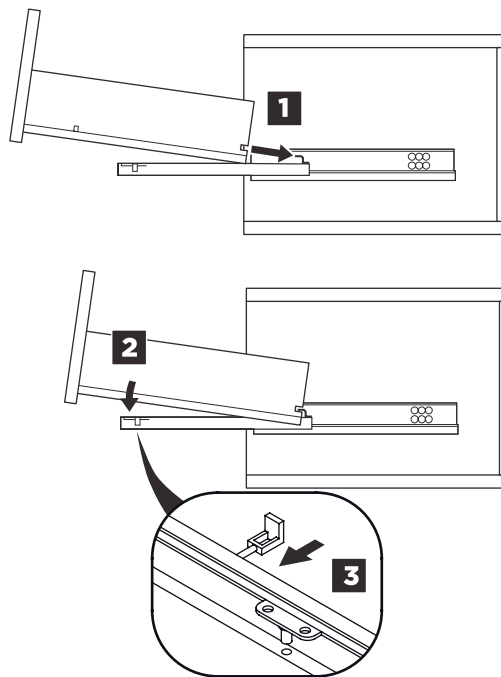
# 4 Apply silicone and install sink (E)



## REMOVAL



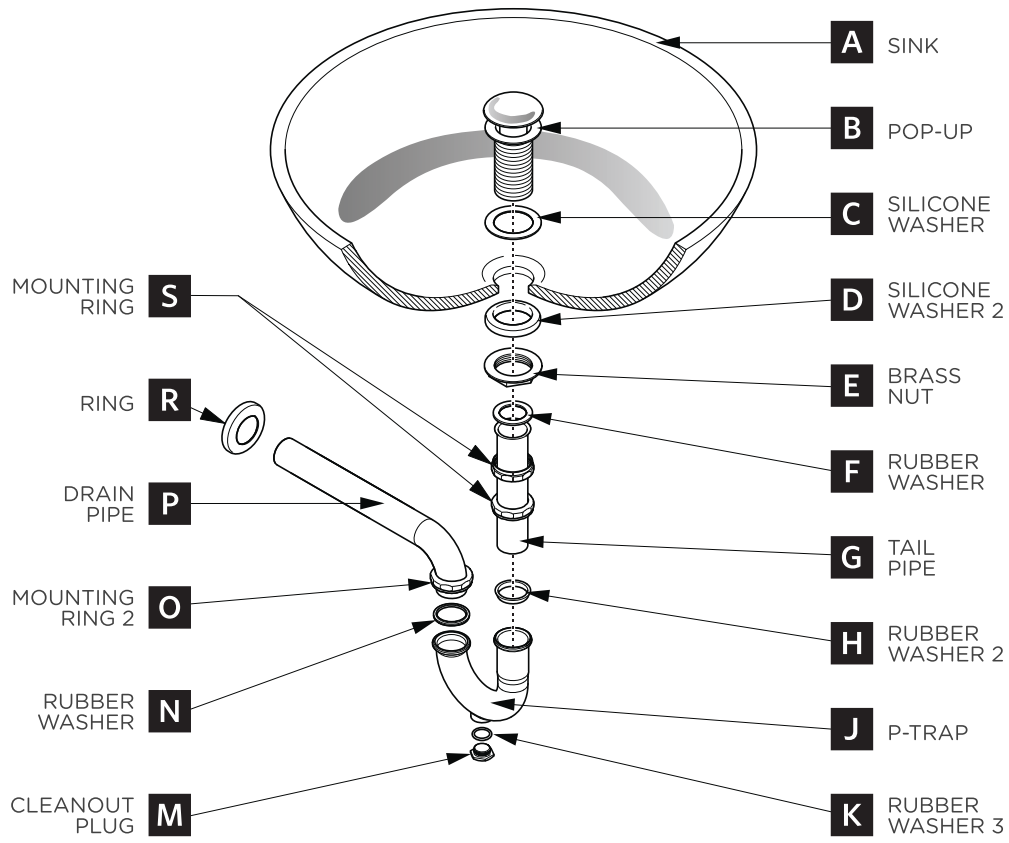
## INSTALLATION



# P-TRAP & POP-UP

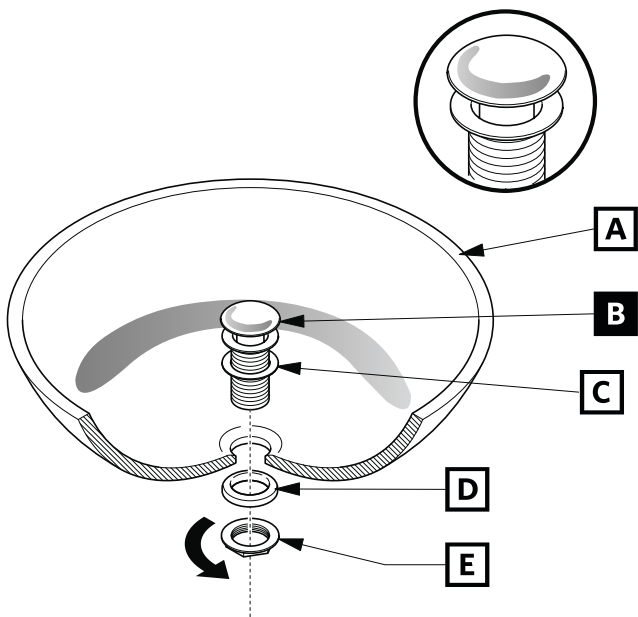
## INSTALLATION INSTRUCTIONS

Your item may appear slightly different from the illustration.



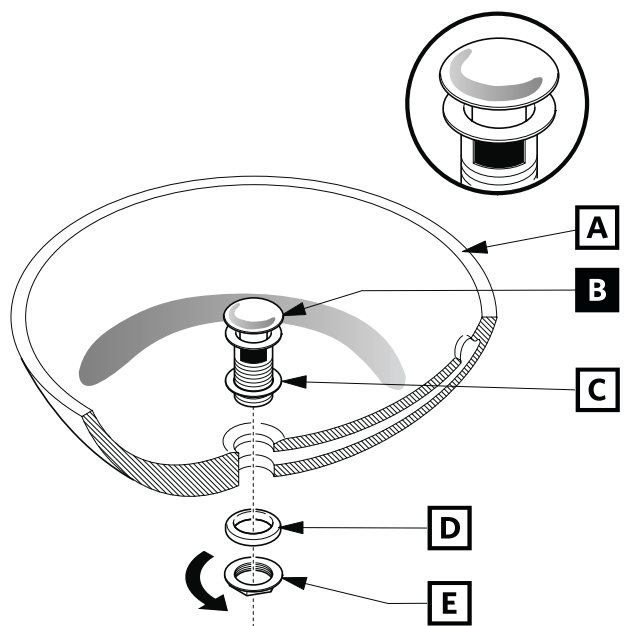
### POP-UP INSTALLATION

#### FOR SINKS WITHOUT OVERFLOW



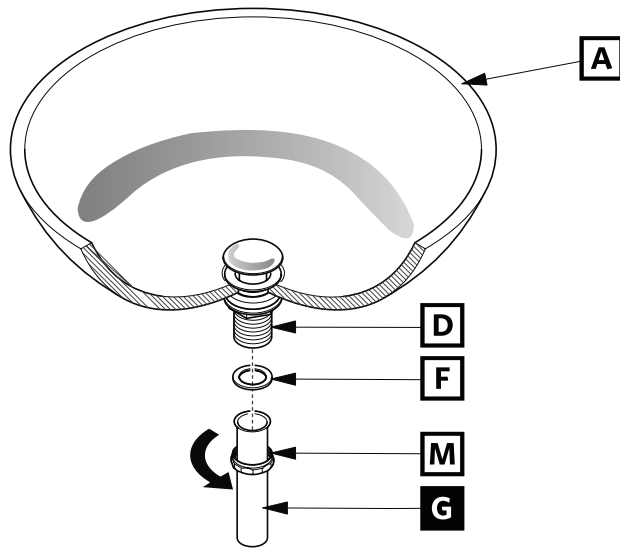
OR

#### FOR SINKS WITH OVERFLOW



# P-TRAP INSTALLATION

**1.** Install tail pipe (G)



**2.** Install P-trap (J)

