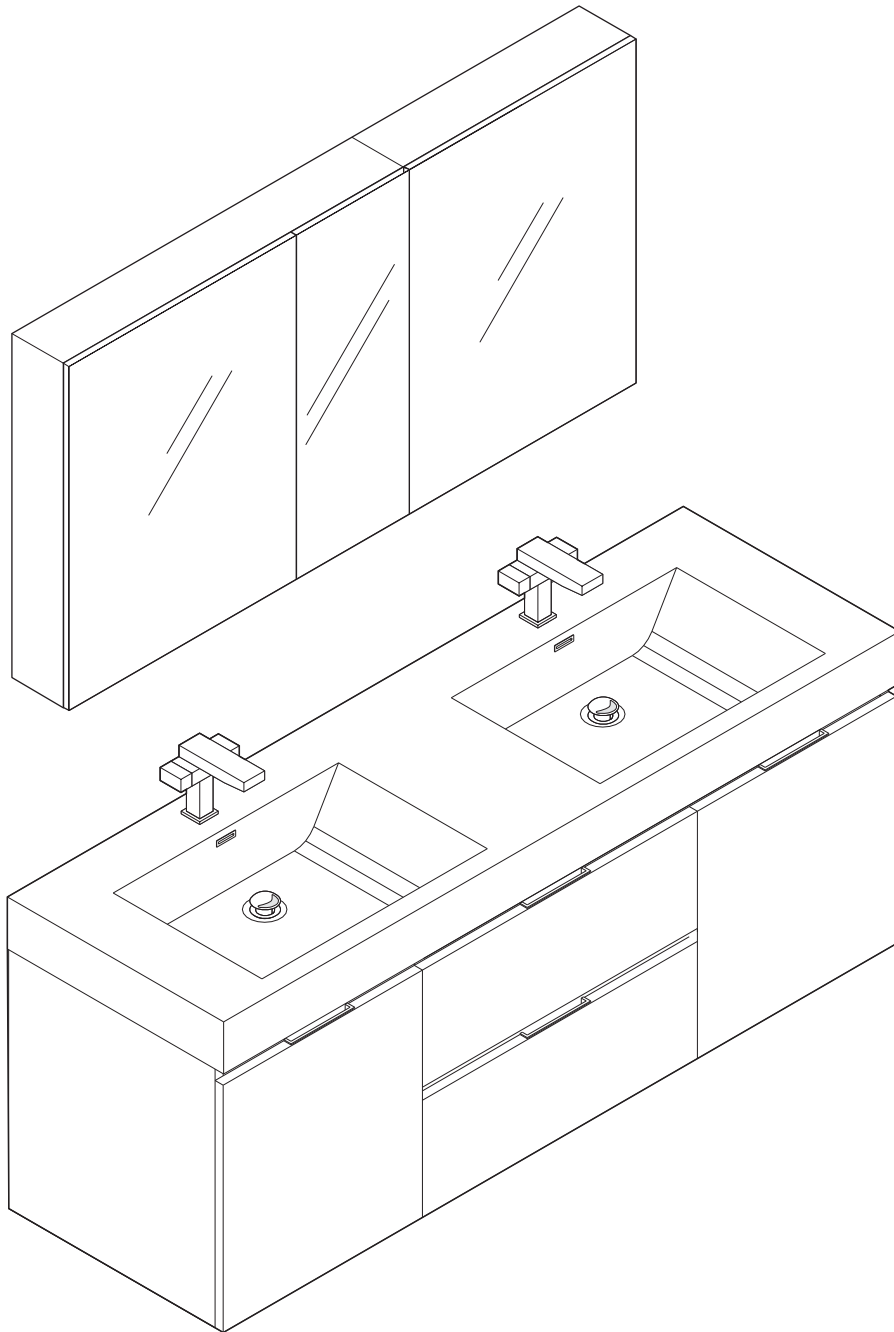
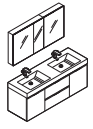


FVN8360-D
VALENCIA
INSTALLATION GUIDE

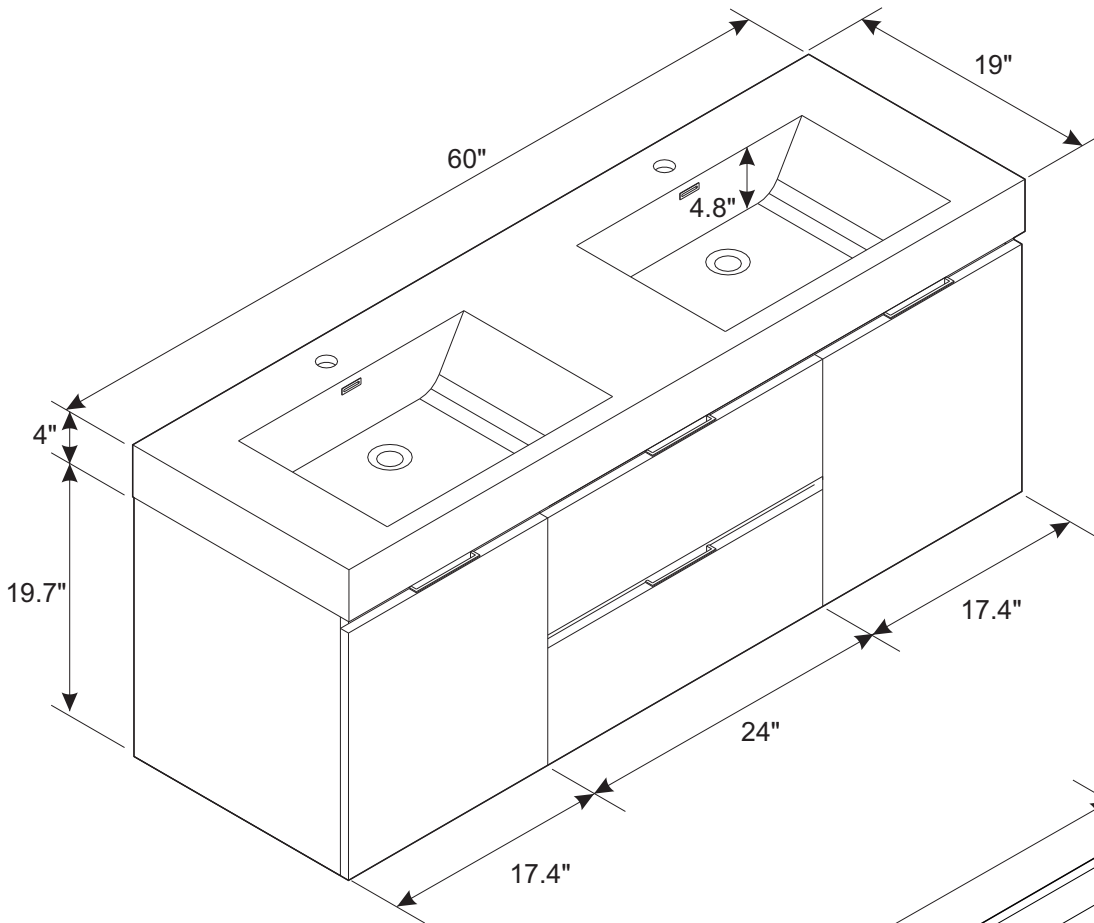


FRESCA®

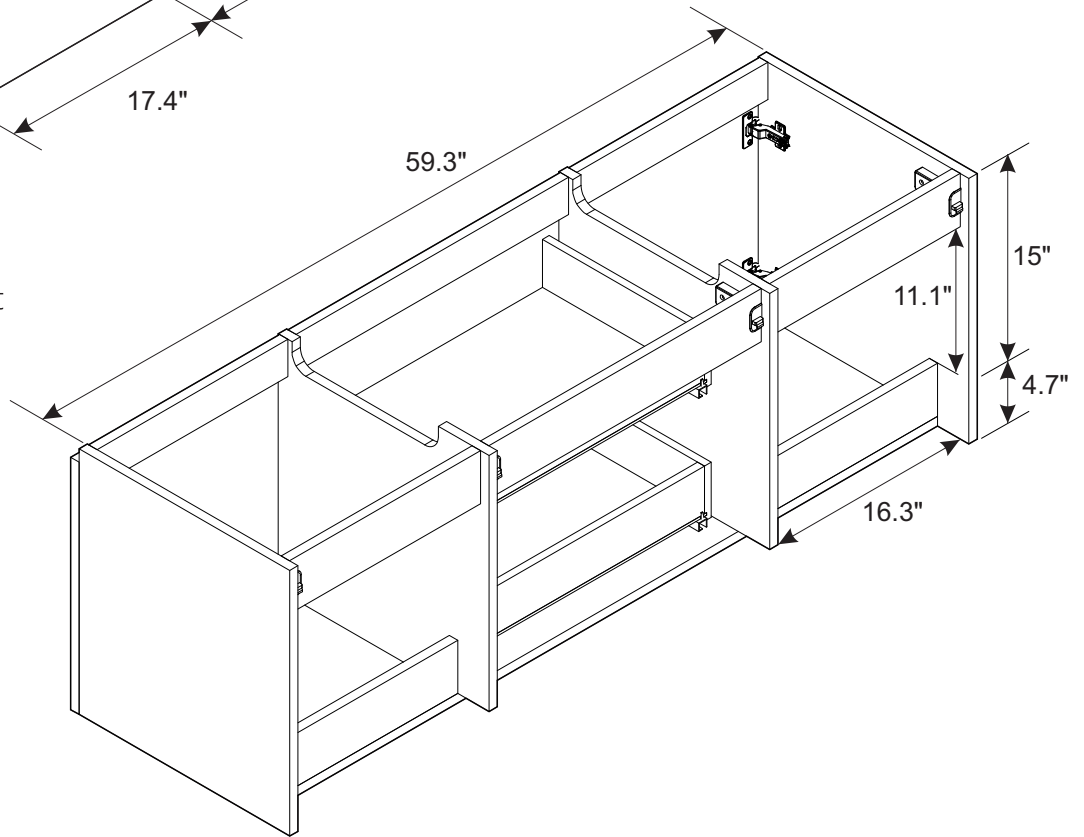




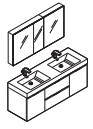
FVN8360-D
VALENCIA
INSTALLATION GUIDE



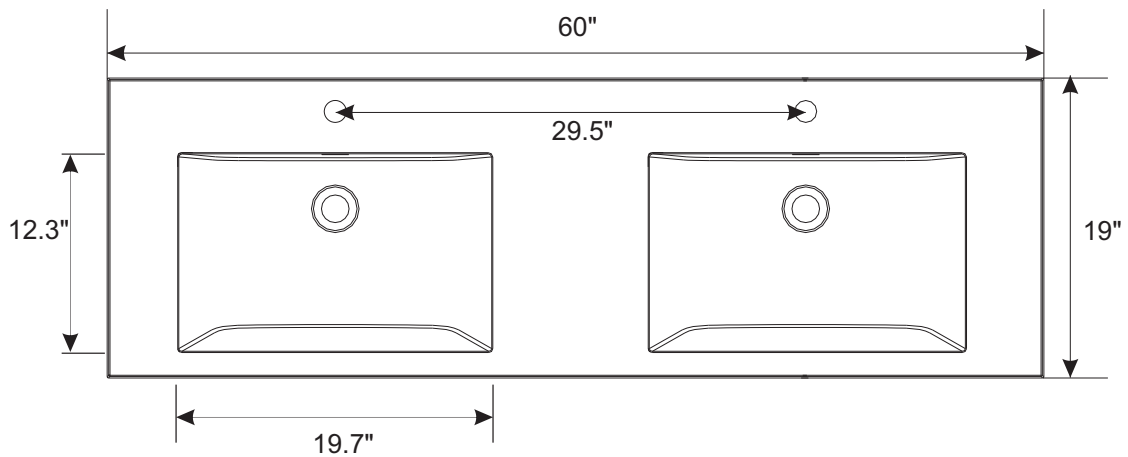
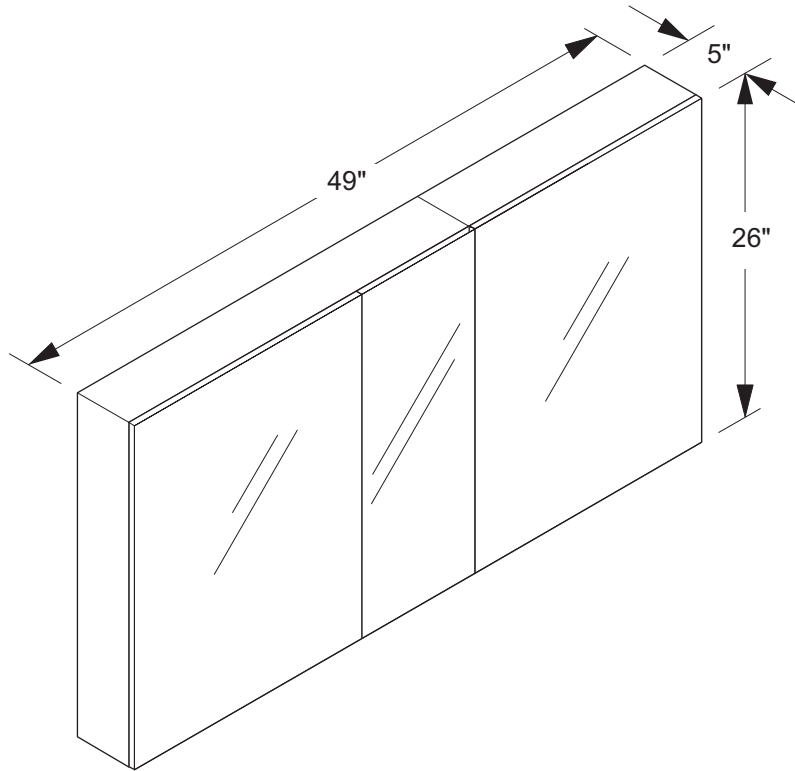
Vanity Front



Vanity Back



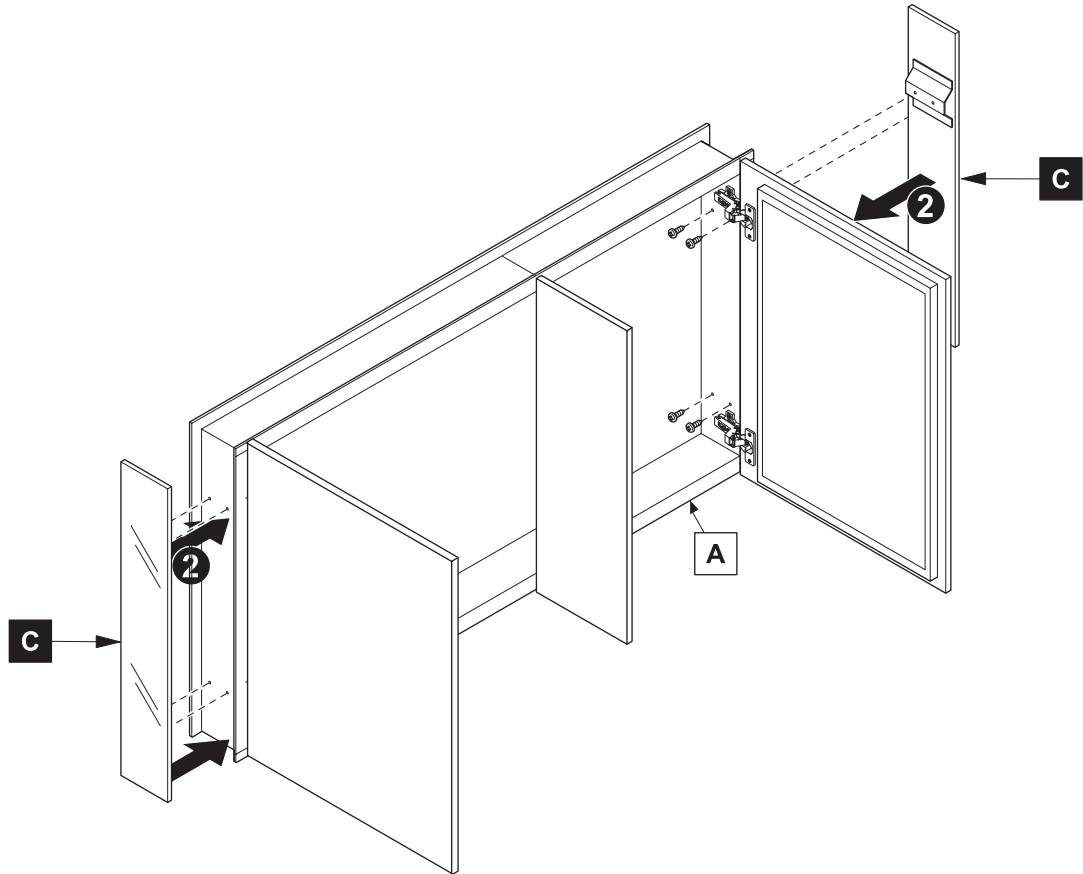
Medicine Cabinet



MEDICINE CABINET INSTALLATION

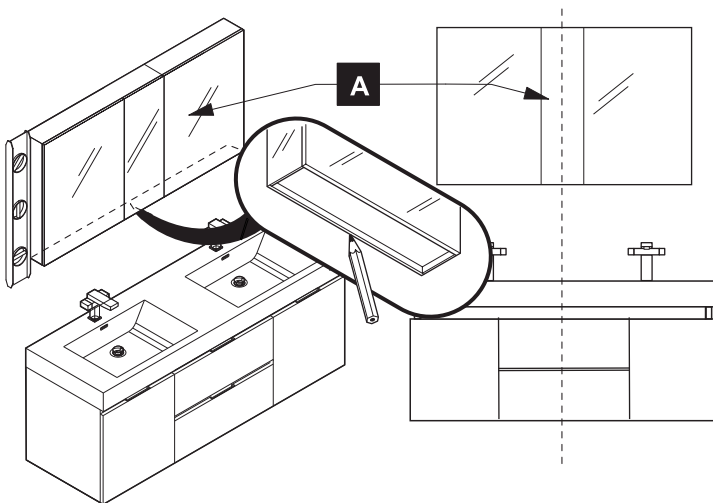
1

Install side mirrors (C)



2

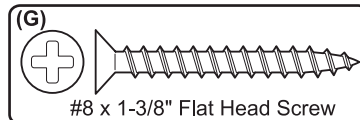
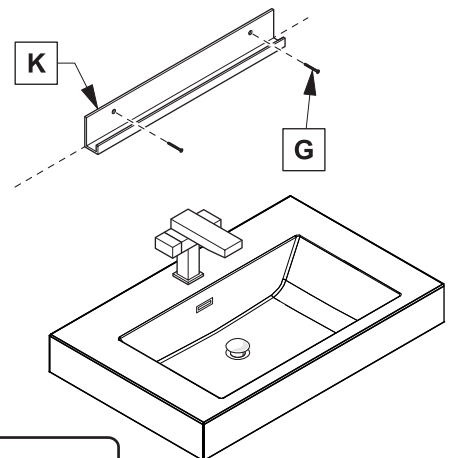
Mark cabinet (A) location



3

Install bottom bracket (K)

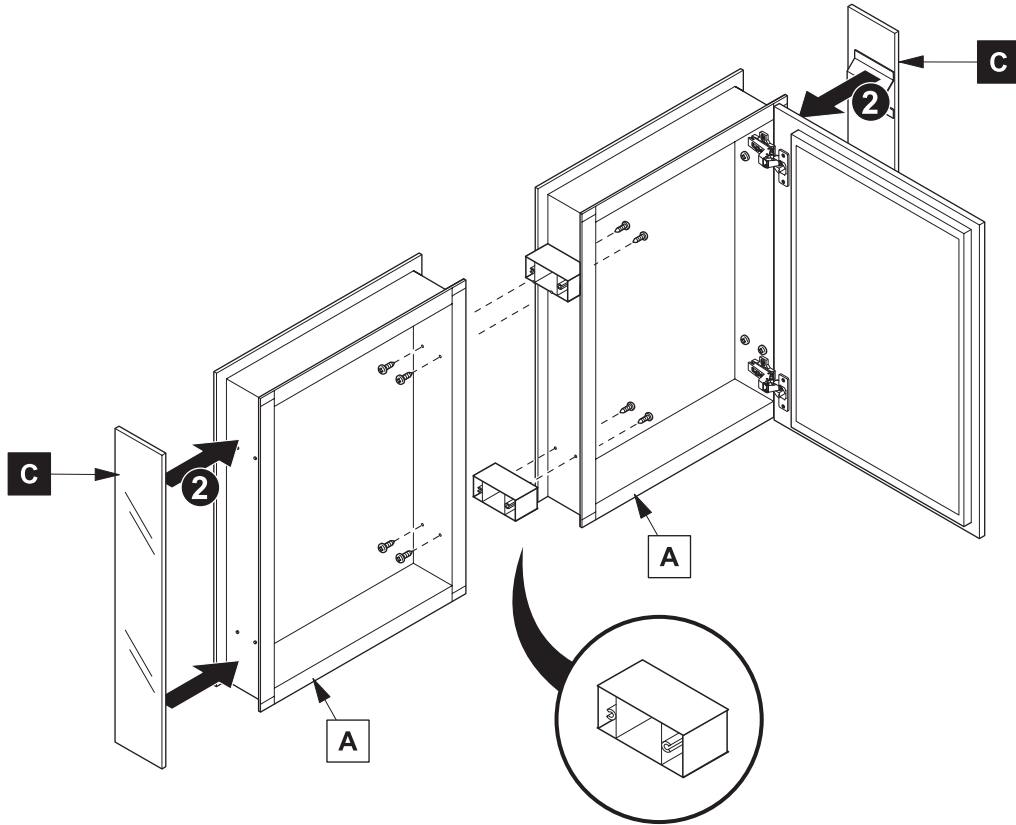
IMPORTANT: Consult an expert for the proper screws/bolts to use when attaching to various wall constructions. Screws provided do not attach to all wall construction types.



MEDICINE CABINET INSTALLATION

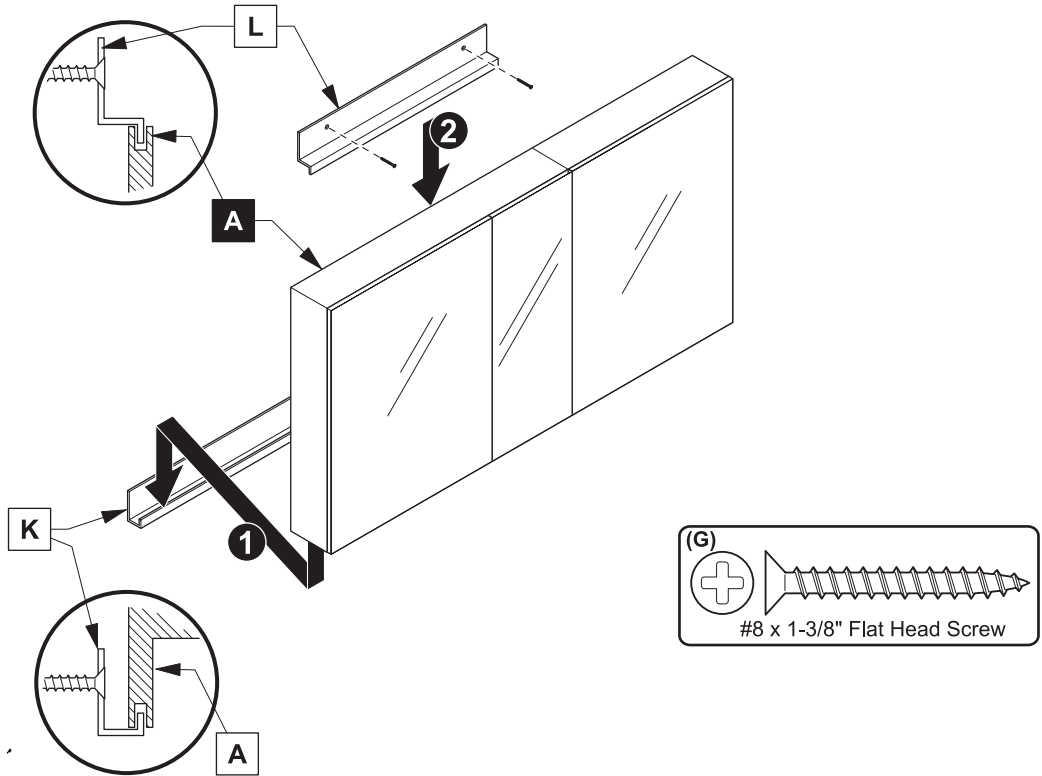
4

Joining of medicine cabinets.

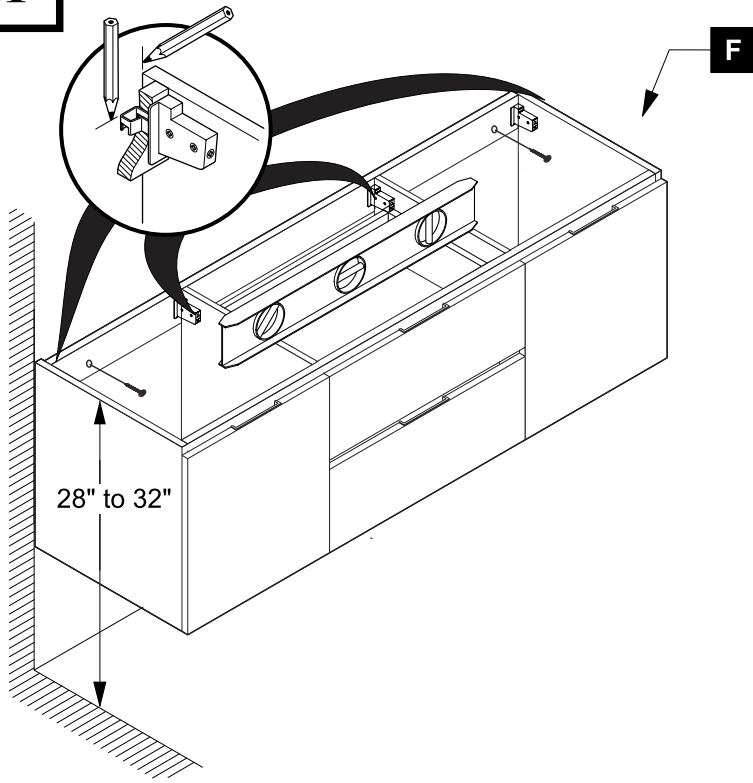


5

Install cabinet (A) and top bracket (L)

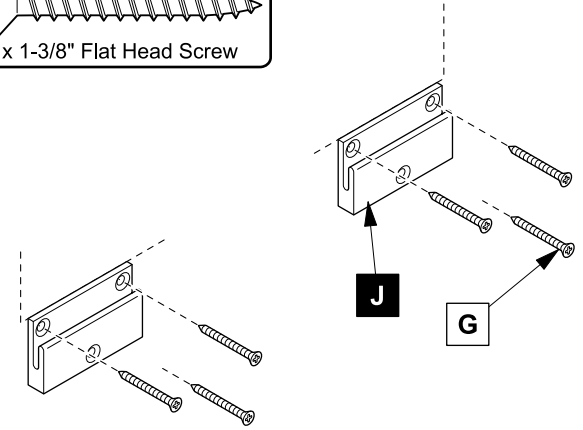
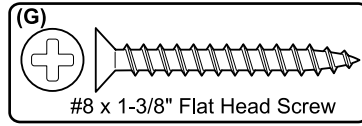


1 Mark cabinet (F) location on the wall

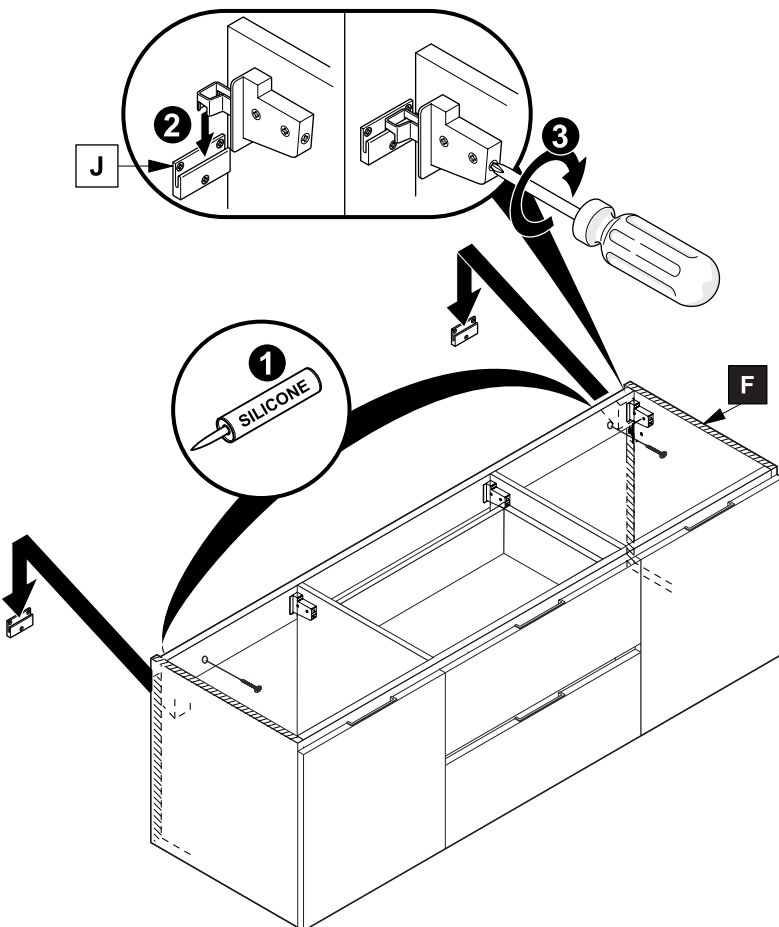


2 Install wall brackets (J)

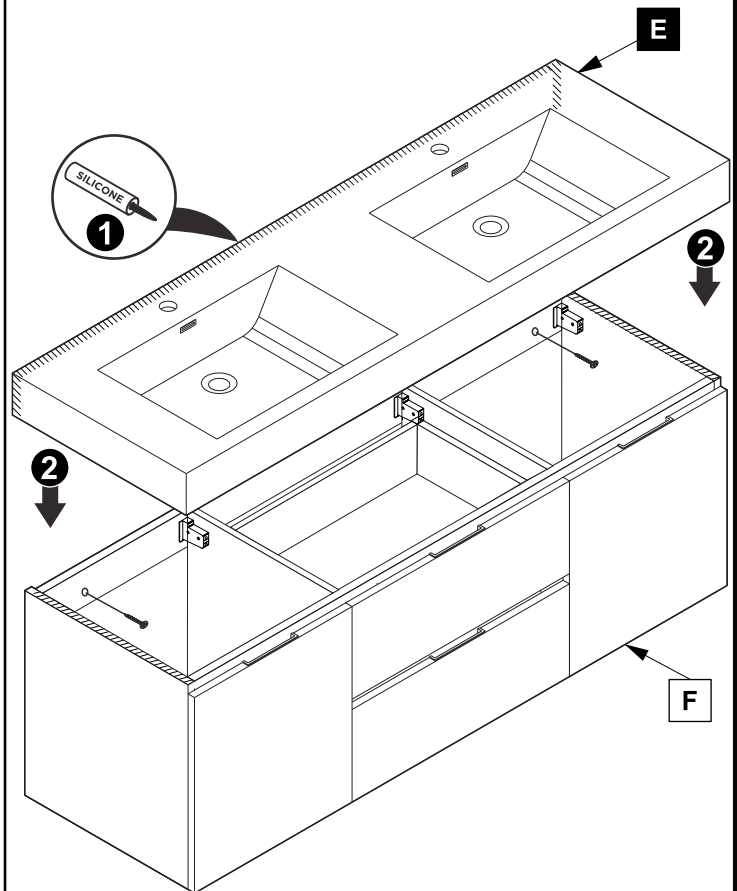
IMPORTANT: Consult an expert for the proper screws/bolts to use when attaching to various wall constructions. Screws provided do not attach to all wall construction types.



3 NOTE: If necessary remove drawers to access connection mechanism.

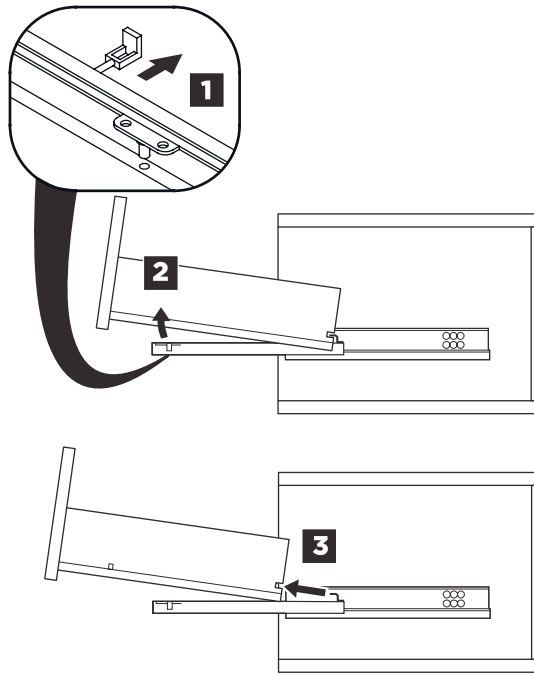


4 Apply silicone and install sink (E)

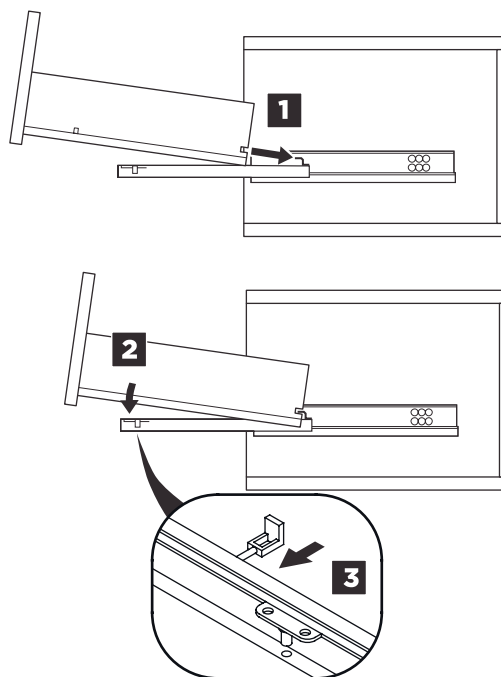


DRAWER REMOVAL & INSTALLATION

REMOVAL



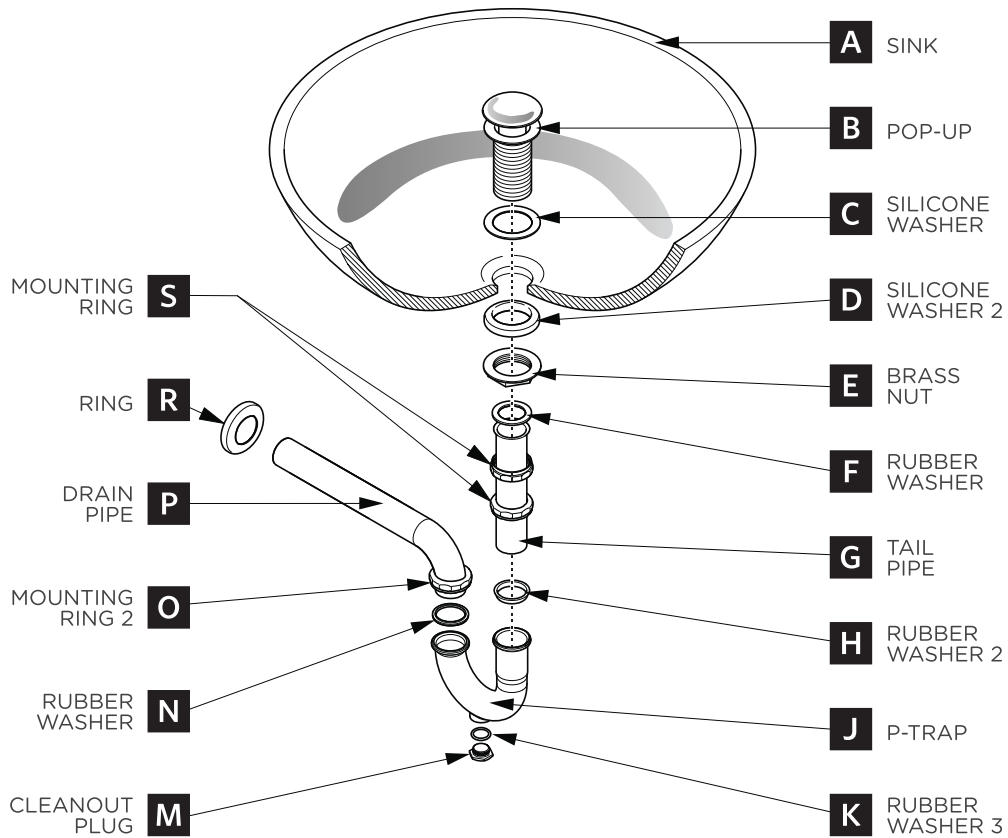
INSTALLATION



P-TRAP & POP-UP

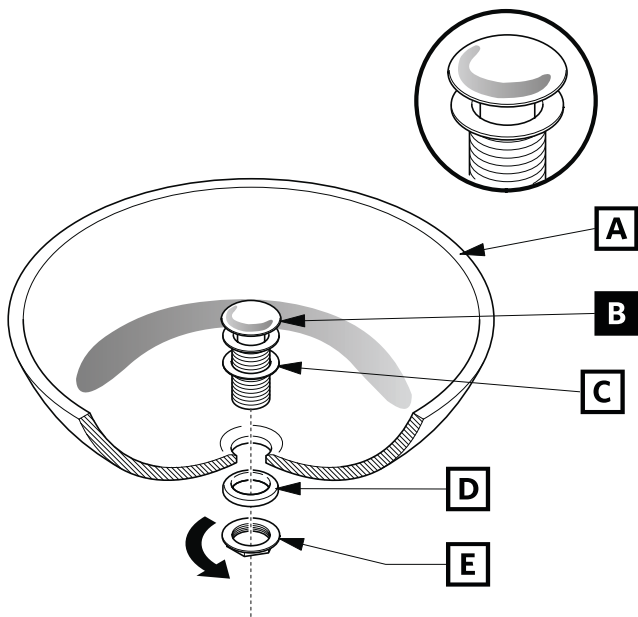
INSTALLATION INSTRUCTIONS

Your item may appear slightly different from the illustration.



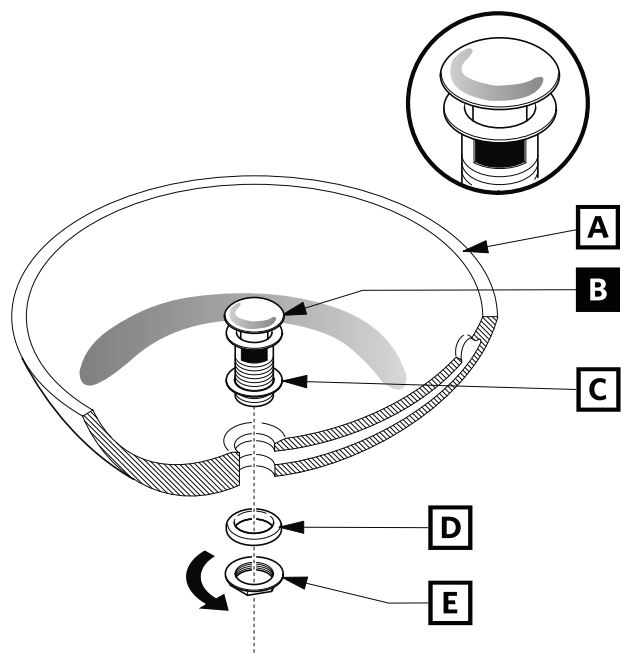
POP-UP INSTALLATION

FOR SINKS WITHOUT OVERFLOW



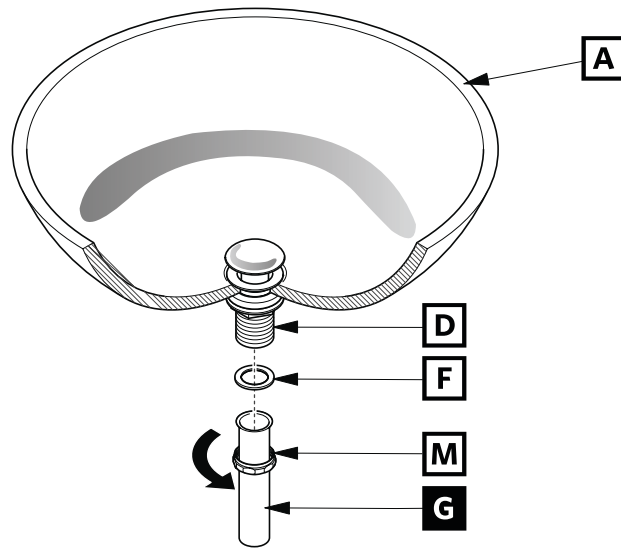
OR

FOR SINKS WITH OVERFLOW



P-TRAP INSTALLATION

1. Install tail pipe (G)



2. Install P-trap (J)

