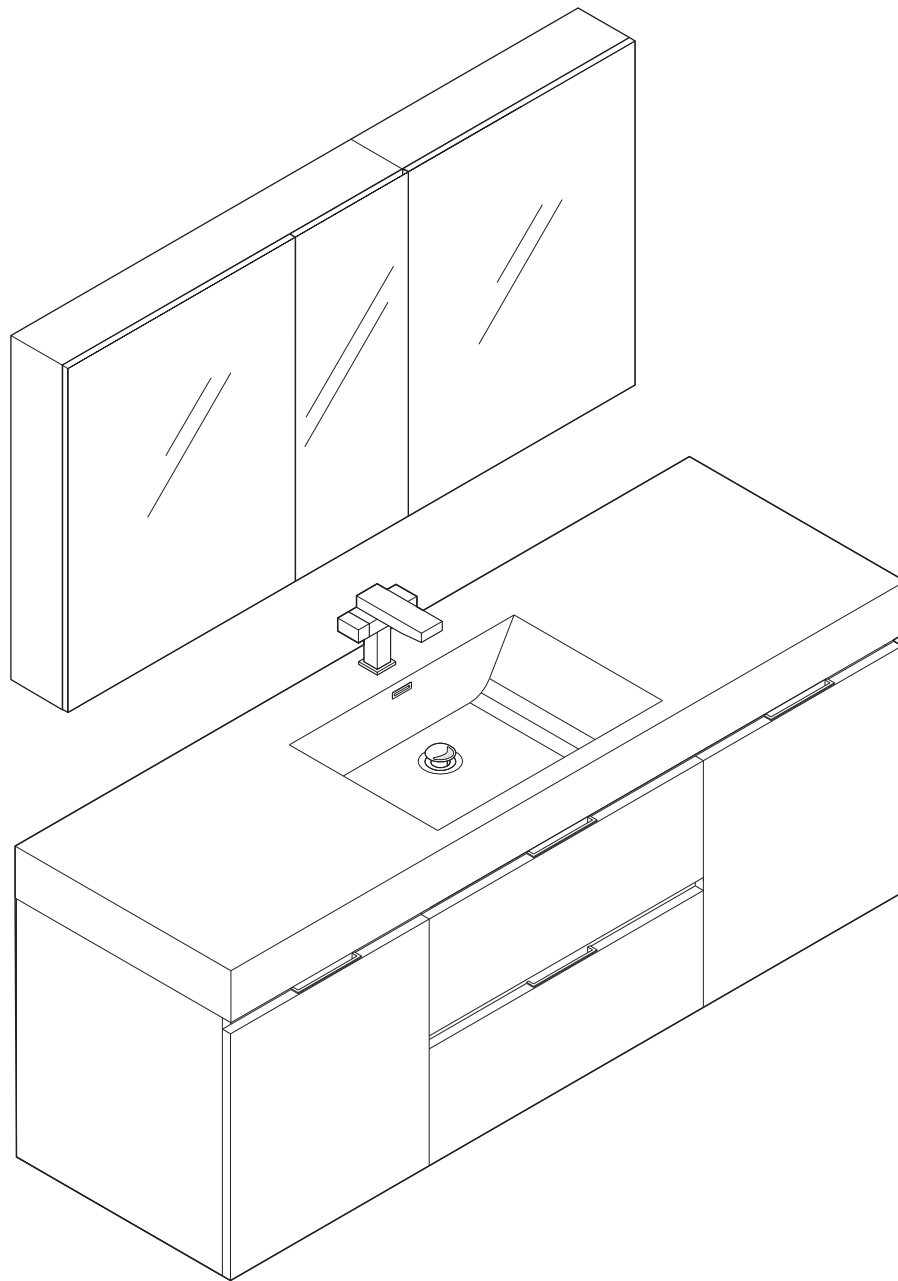
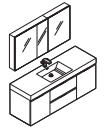


**FVN8360**  
**VALENCIA**  
**INSTALLATION GUIDE**





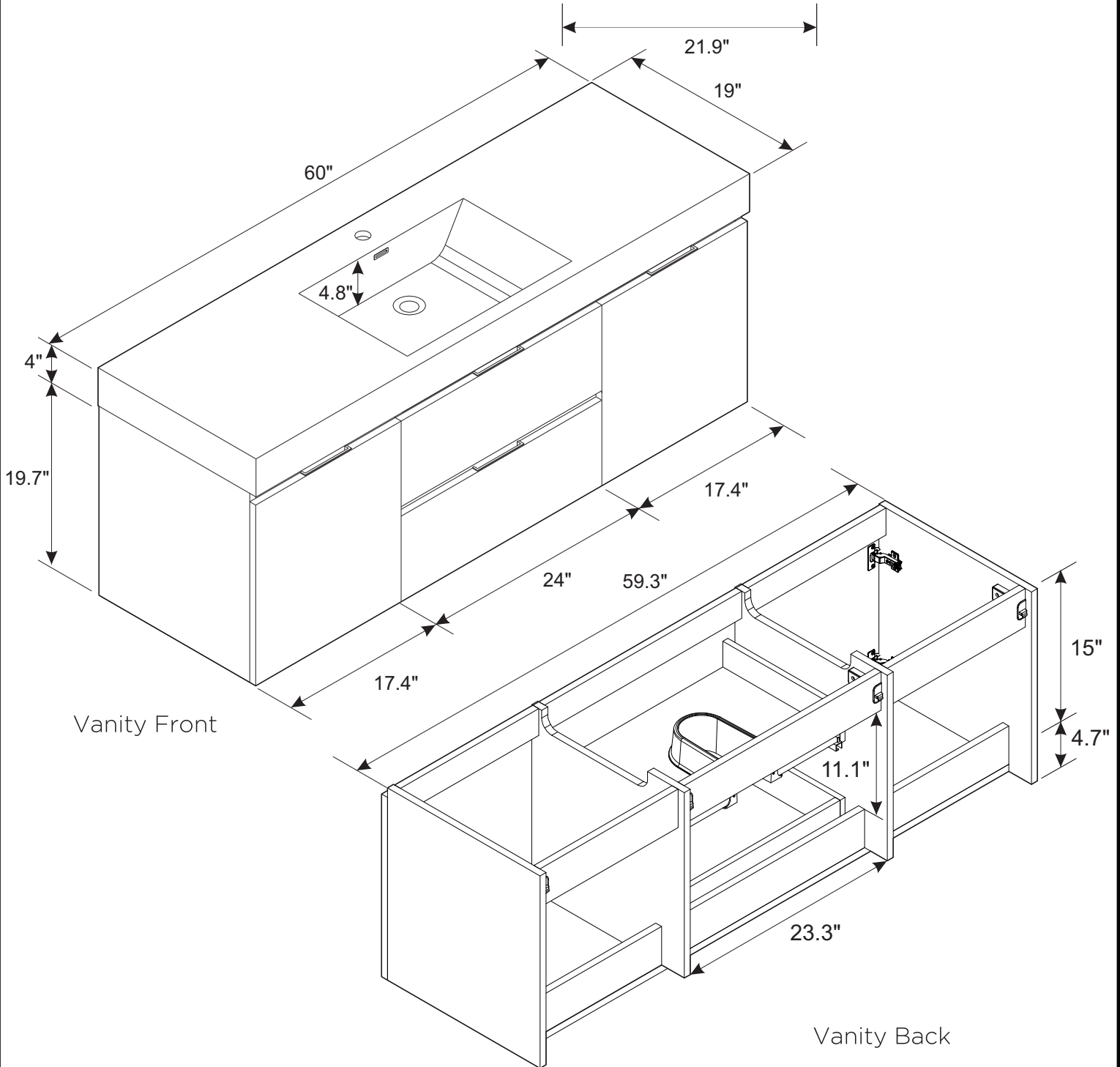
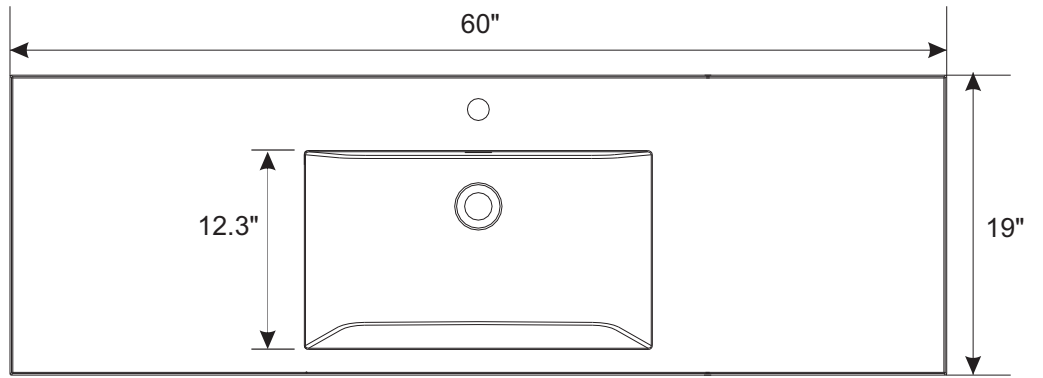
**FCB8360**

XXXXXXXX

**INSTALLATION GUIDE**

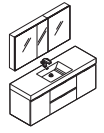


**FRESCA®**



**FVN8360 | VALENCIA | INSTALLATION GUIDE**

PAGE 2



**FCB8360**

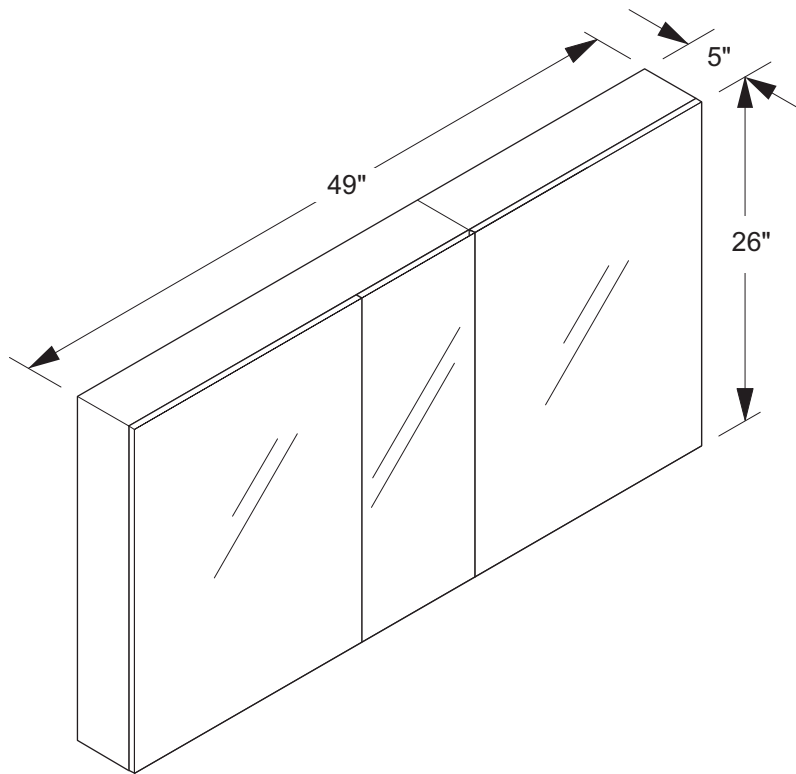
XXXXXXXX

**INSTALLATION GUIDE**



**FRESCA®**

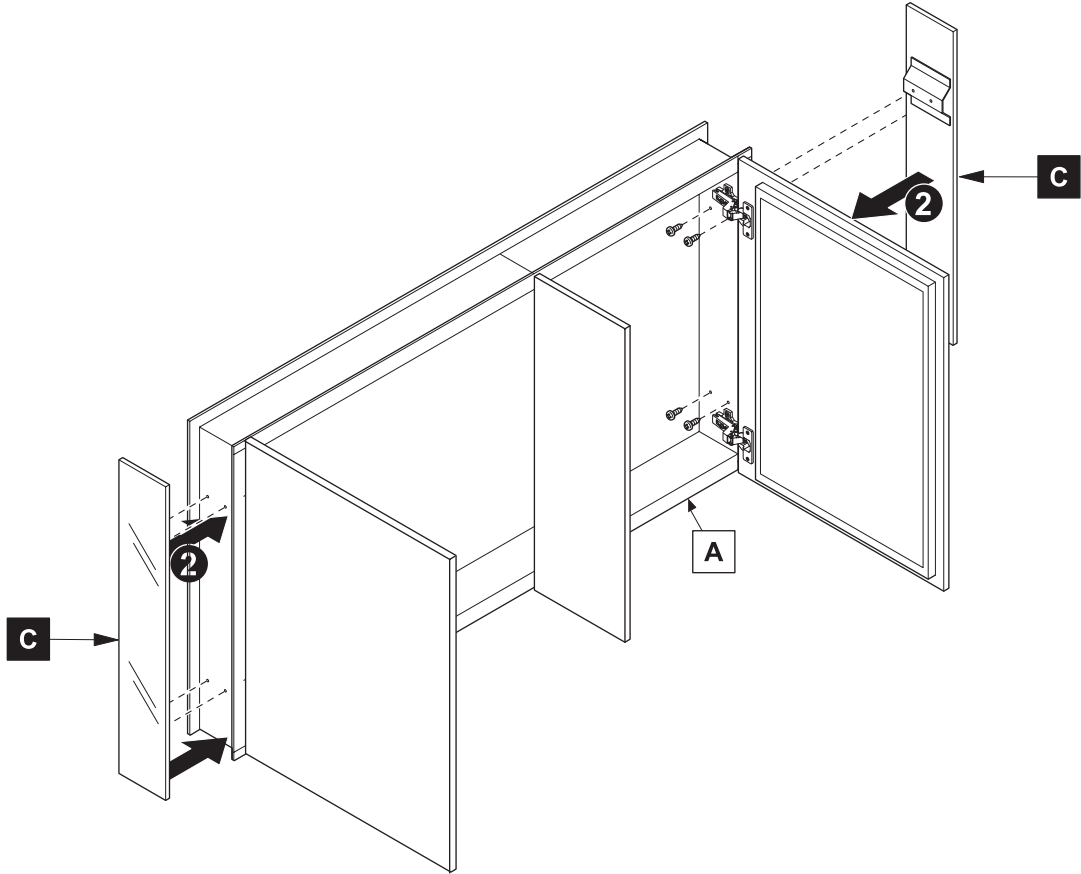
Medicine Cabinet



# MEDICINE CABINET INSTALLATION

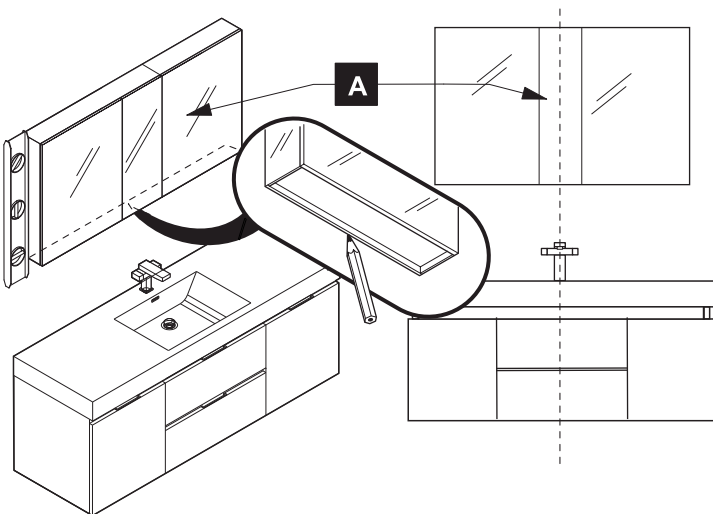
1

Install side mirrors (C)



2

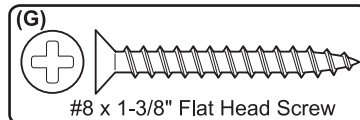
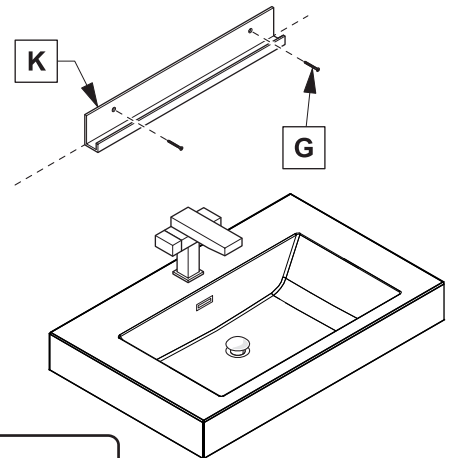
Mark cabinet (A) location



3

Install bottom bracket (K)

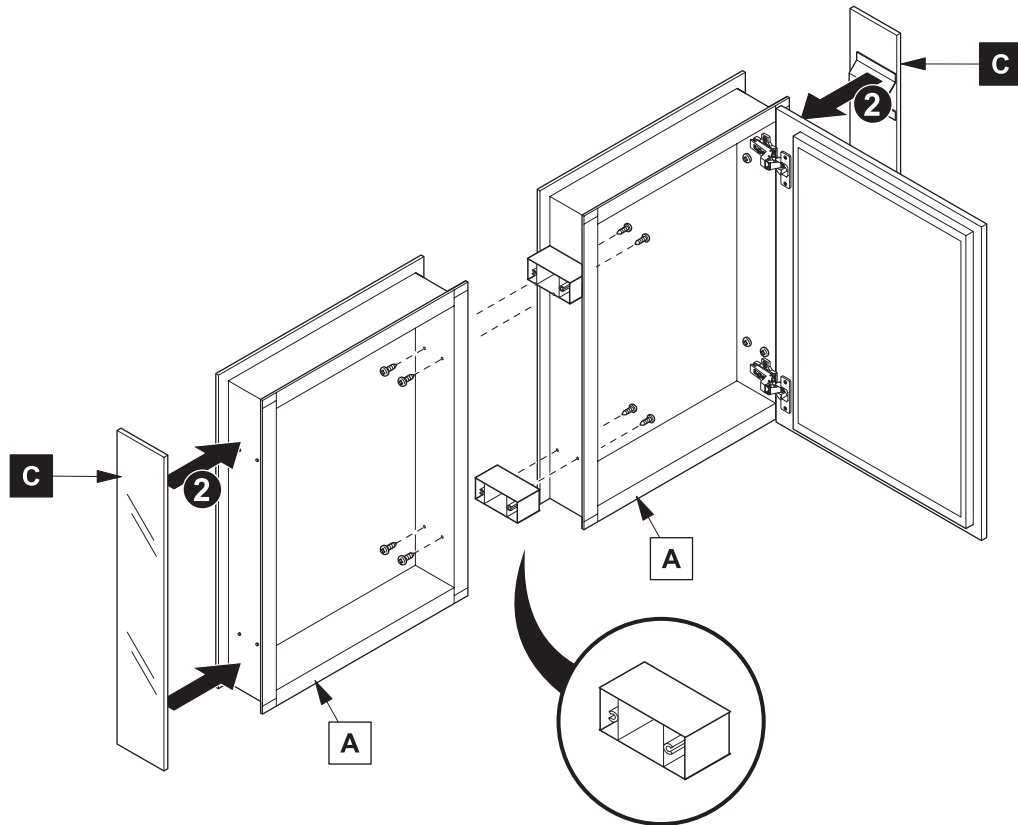
**IMPORTANT:** Consult an expert for the proper screws/bolts to use when attaching to various wall constructions. Screws provided do not attach to all wall construction types.



# MEDICINE CABINET INSTALLATION

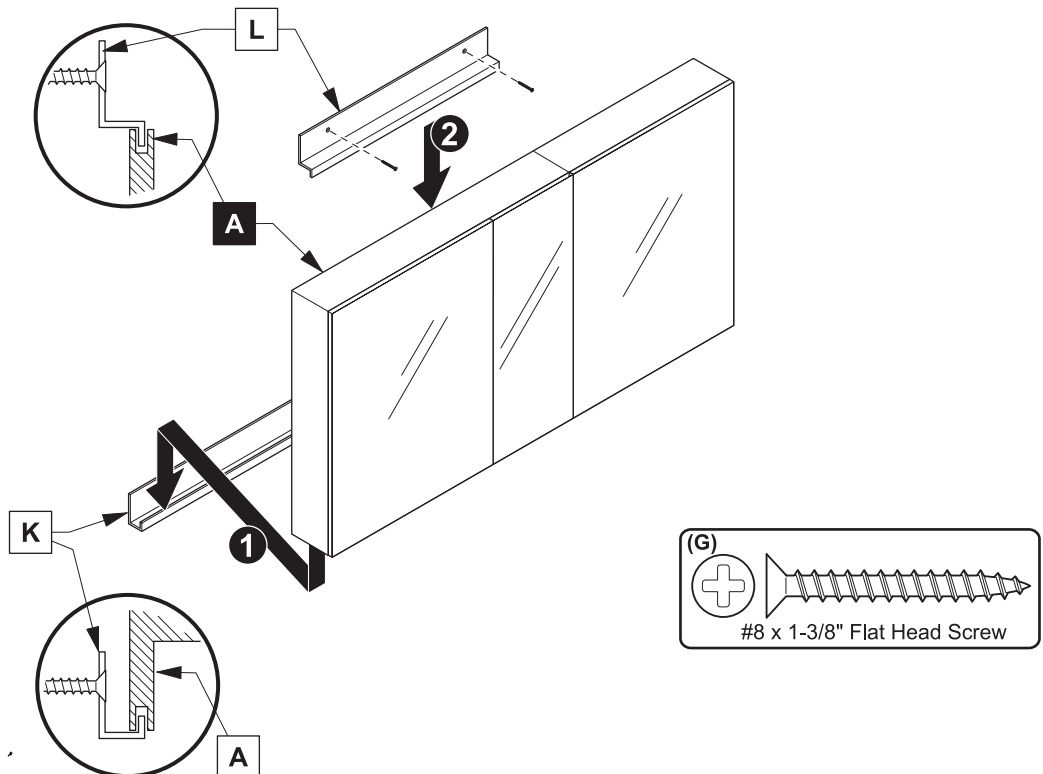
4

Joining of medicine cabinets.

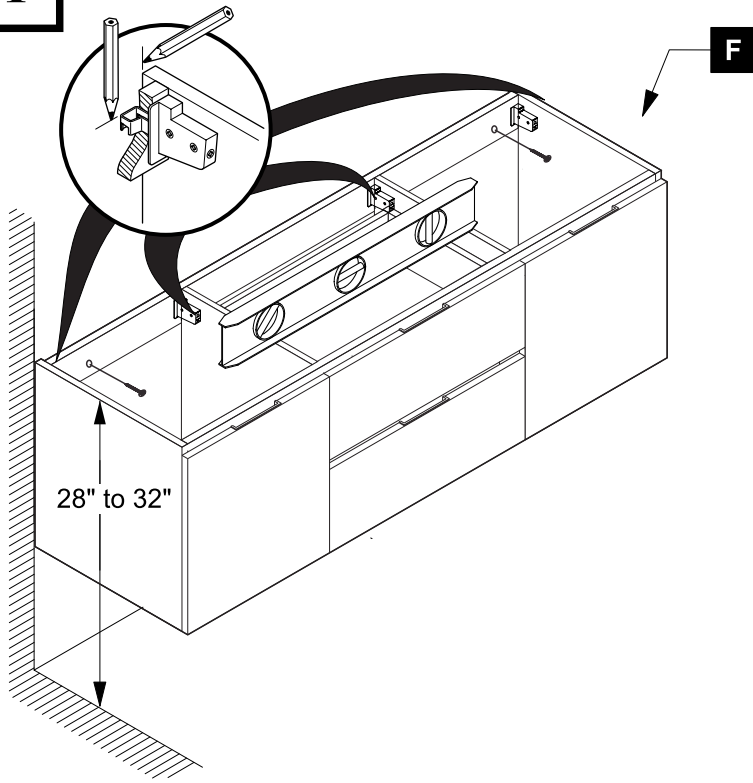


5

Install cabinet (A) and top bracket (L)

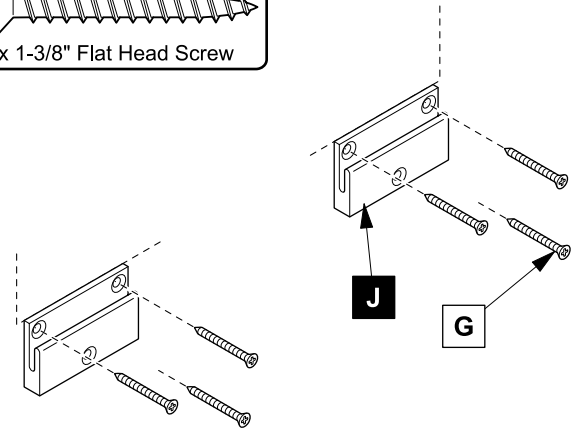
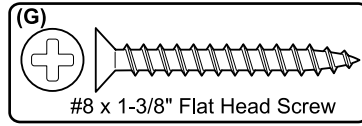


# 1 Mark cabinet (F) location on the wall

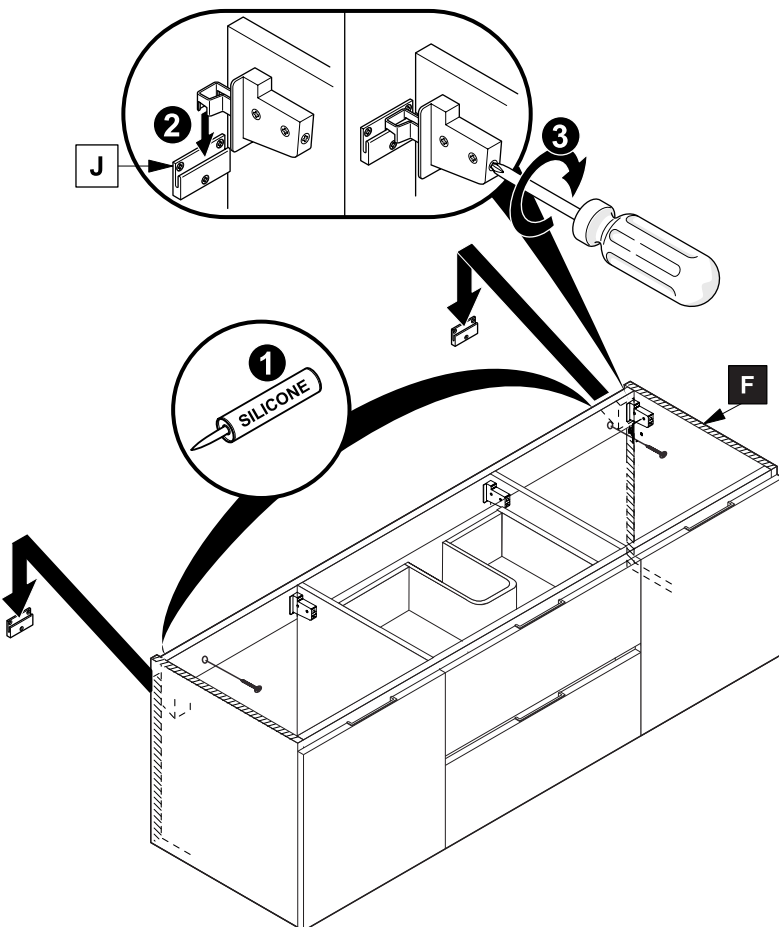


# 2 Install wall brackets (J)

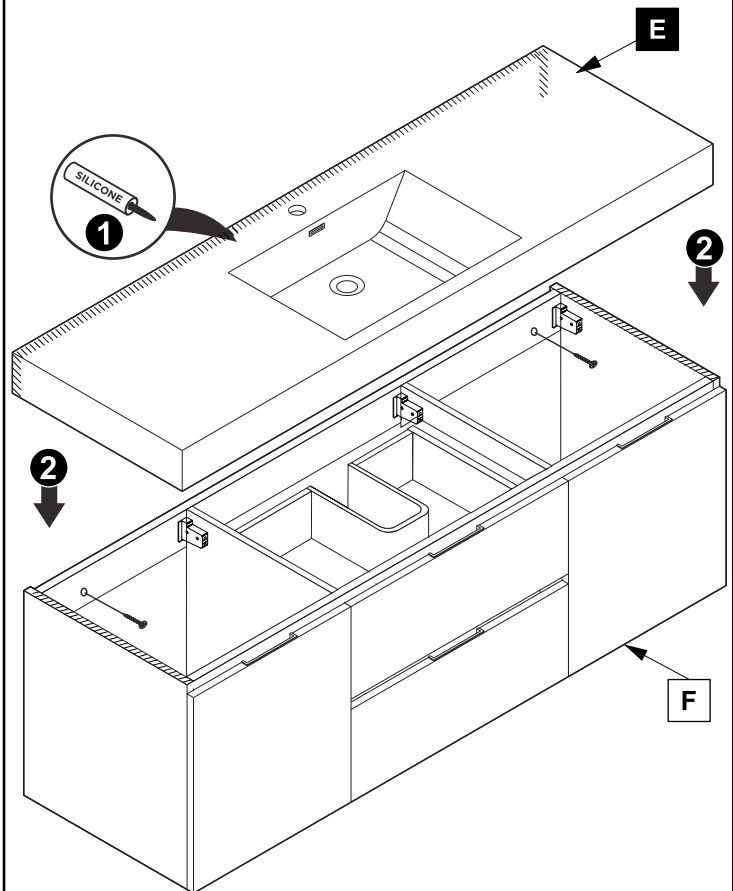
**IMPORTANT:** Consult an expert for the proper screws/bolts to use when attaching to various wall constructions. Screws provided do not attach to all wall construction types.



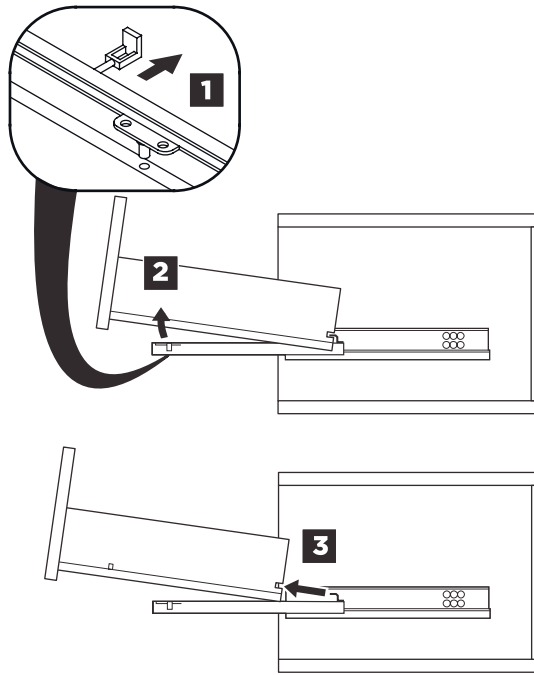
# 3 NOTE: If necessary remove drawers to access connection mechanism.



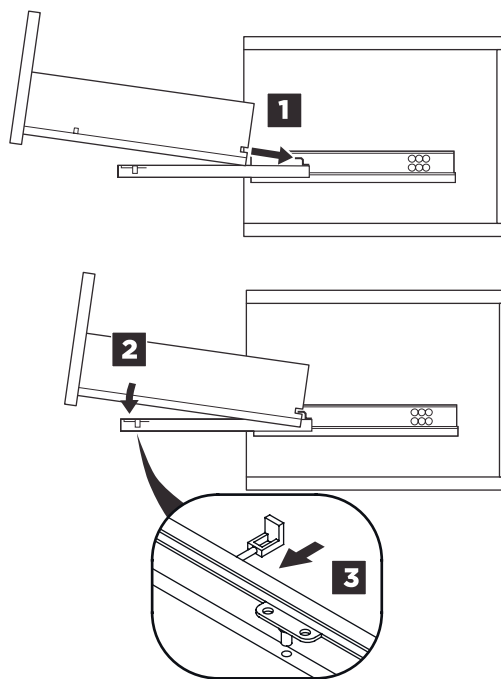
# 4 Apply silicone and install sink (E)



REMOVAL



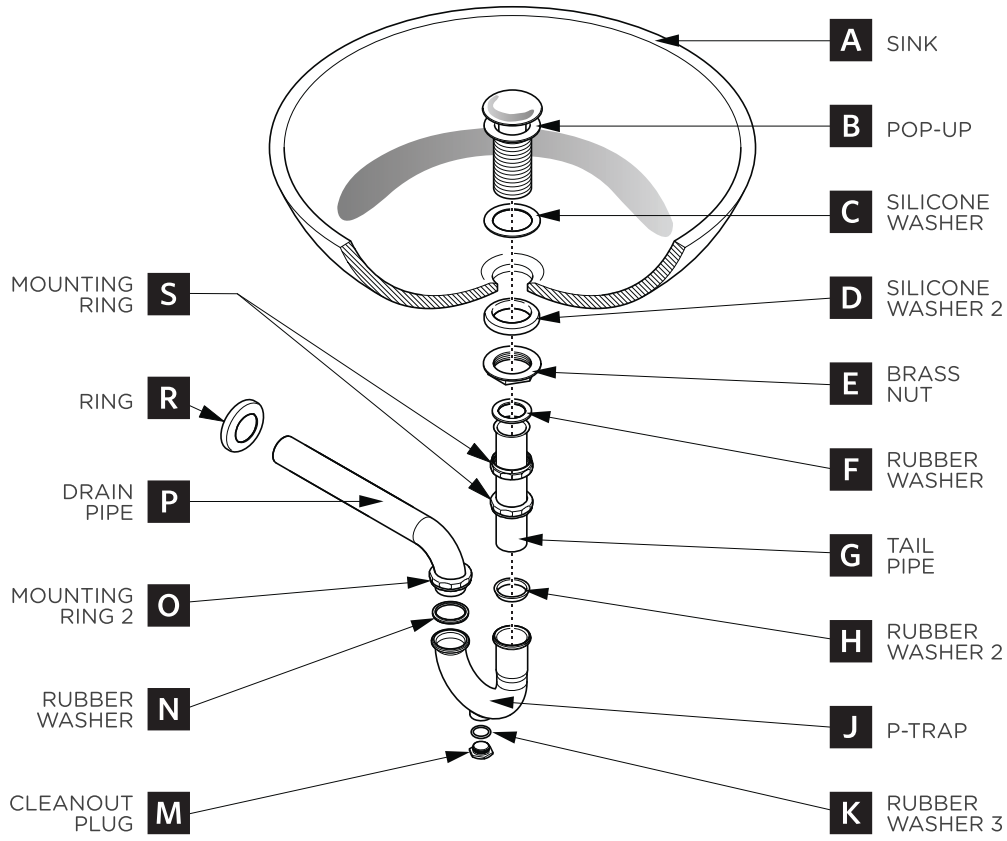
INSTALLATION



# P-TRAP & POP-UP

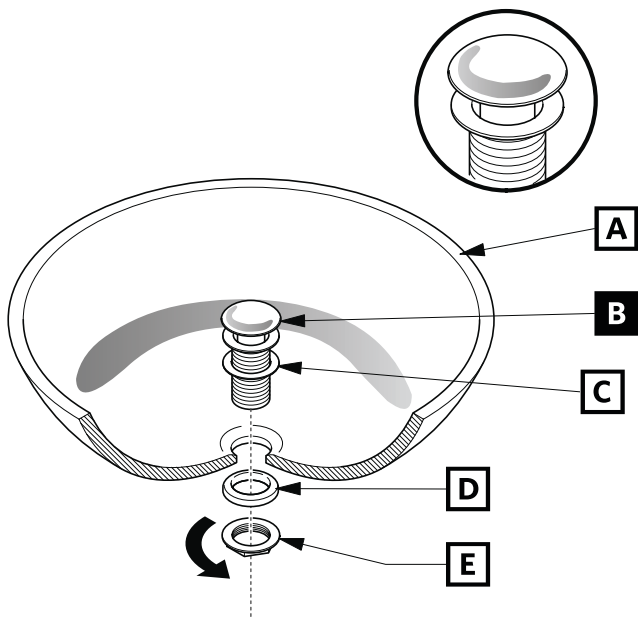
## INSTALLATION INSTRUCTIONS

Your item may appear slightly different from the illustration.



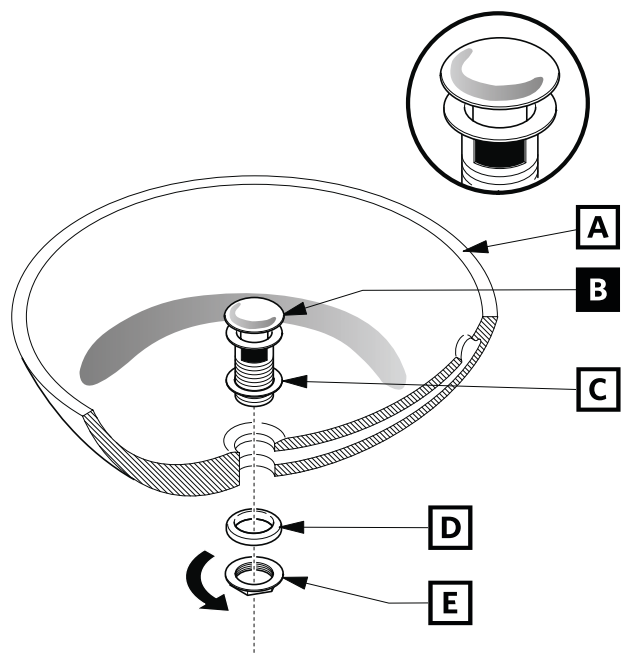
## POP-UP INSTALLATION

### FOR SINKS WITHOUT OVERFLOW



OR

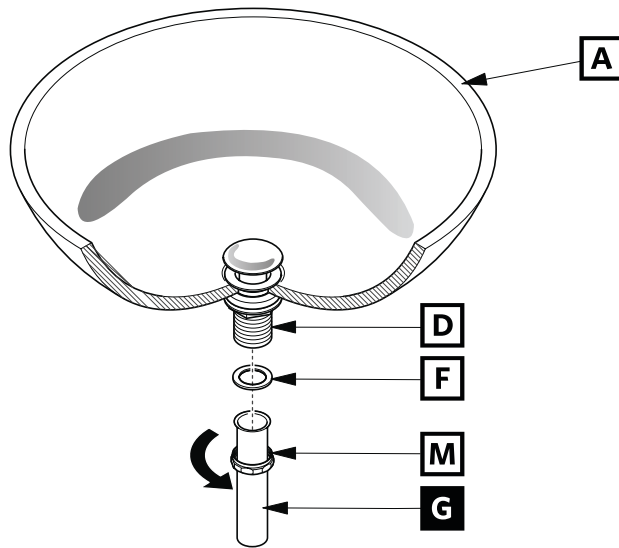
### FOR SINKS WITH OVERFLOW





# P-TRAP INSTALLATION

**1.** Install tail pipe (G)



**2.** Install P-trap (J)

