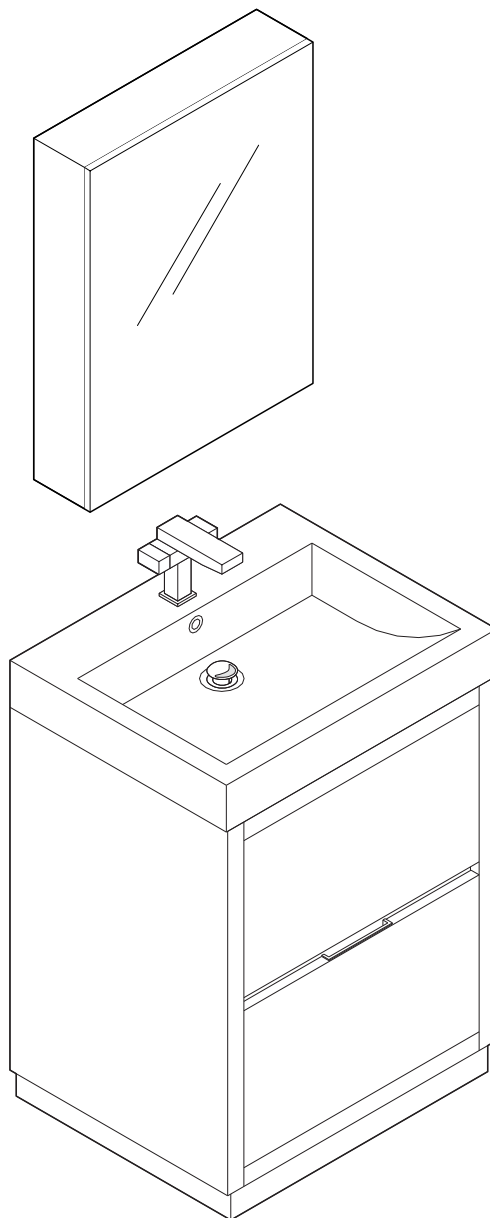
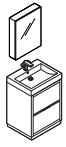
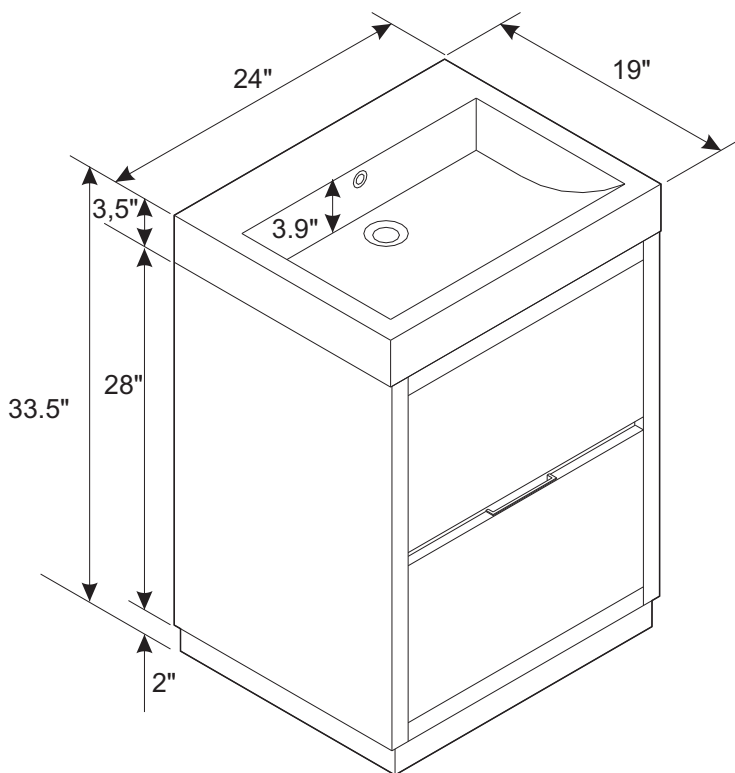
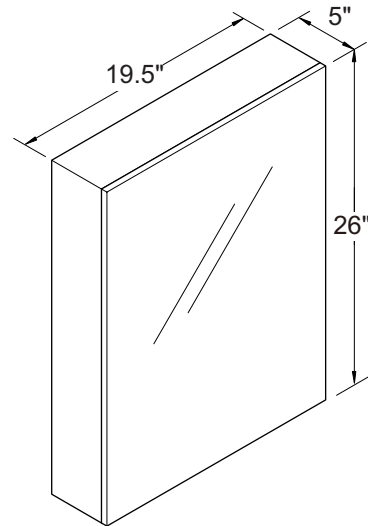
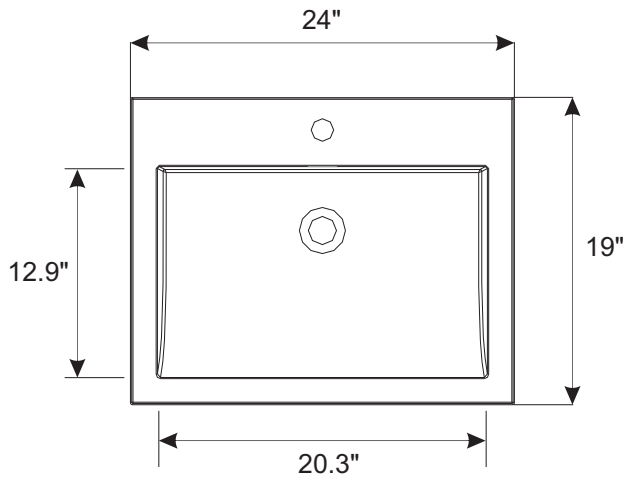


**FVN8424**  
**VALENCIA**  
**INSTALLATION GUIDE**

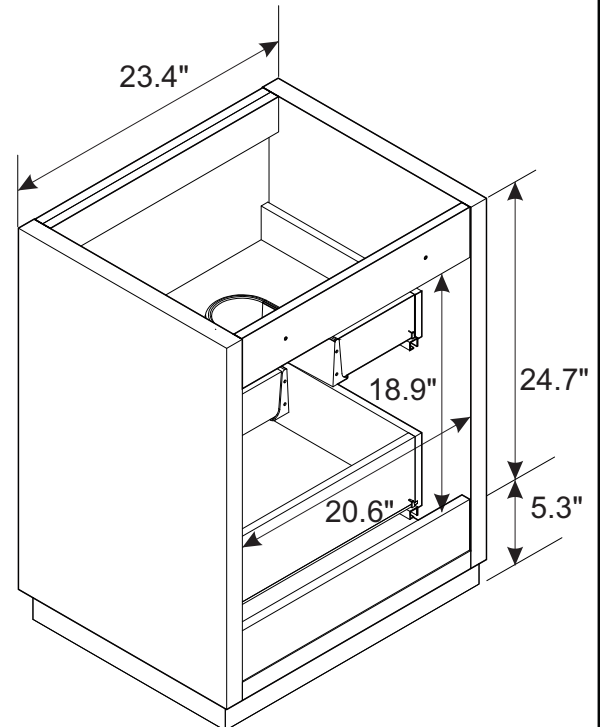




Medicine Cabinet



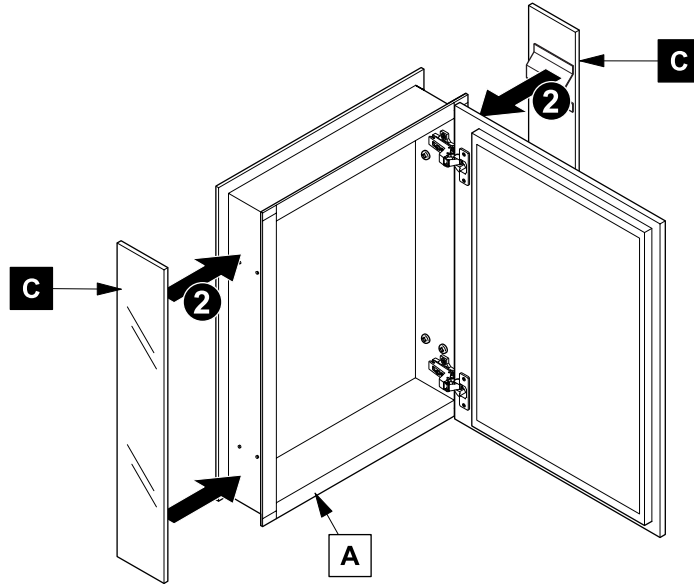
Vanity Front



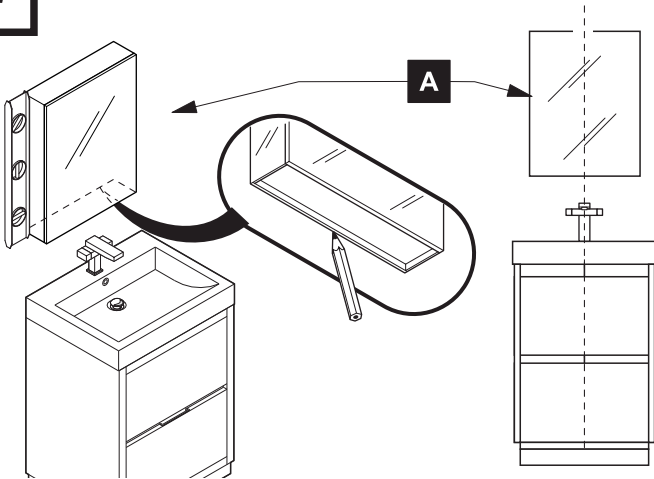
Vanity Back

# MEDICINE CABINET INSTALLATION

## 1 Install side mirrors (C)

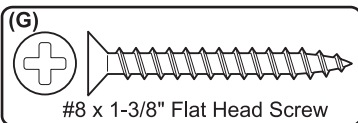
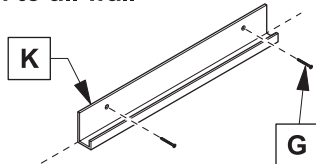


## 2 Mark cabinet (A) location

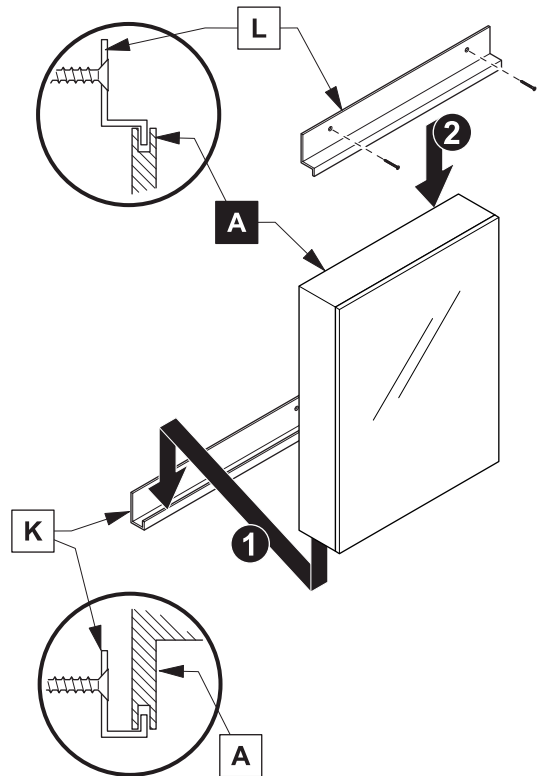
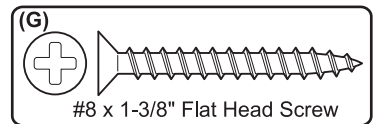


## 3 Install bottom bracket (K)

**IMPORTANT:** Consult an expert for the proper screws/bolts to use when attaching to various wall constructions. Screws provided do not attach to all wall construction types.



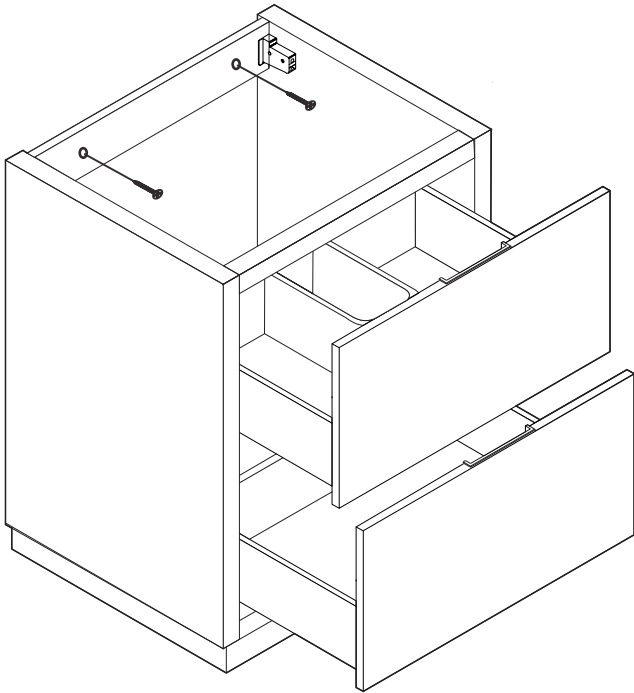
## 4 Install cabinet (A) and top bracket (L)



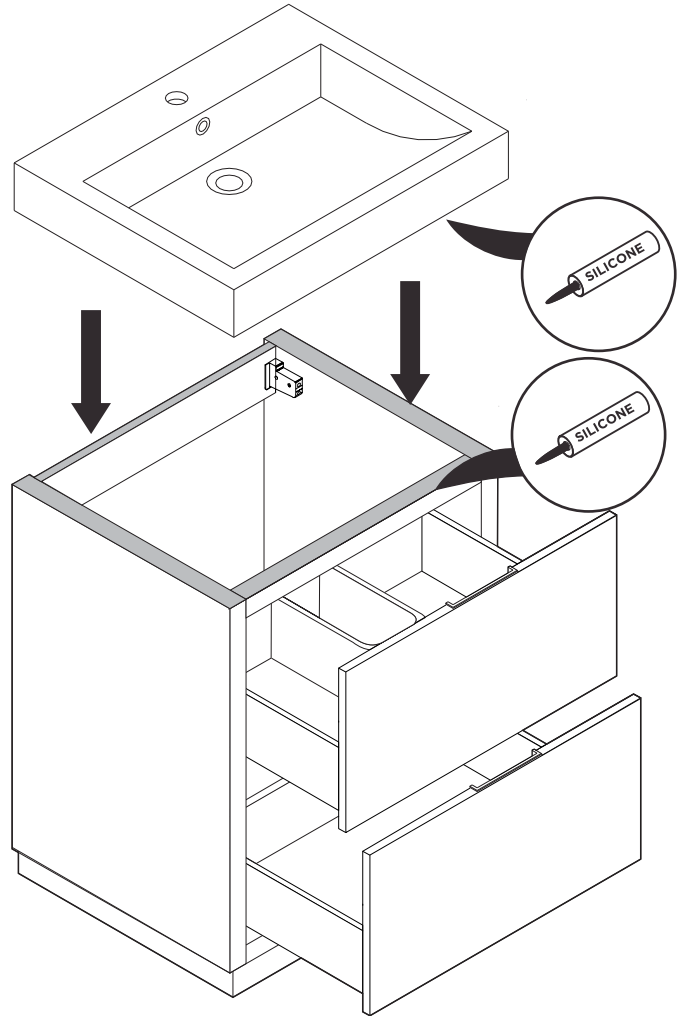
## INSTALLATION GUIDE

- 1 Secure cabinet to the wall.

**IMPORTANT:** Consult an expert for the proper screws/bolts to use when attaching to various wall constructions. Screws provided do not attach to all wall construction types.

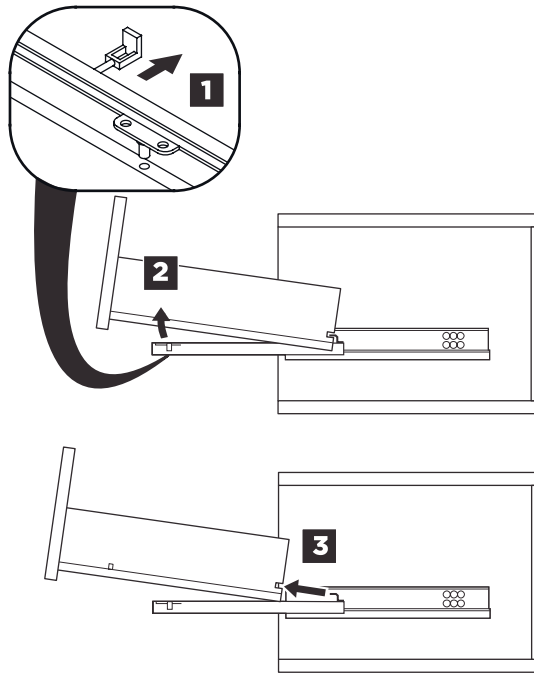


- 2 Apply a bead of silicone on the top of the cabinet and place the sink on to the cabinet.

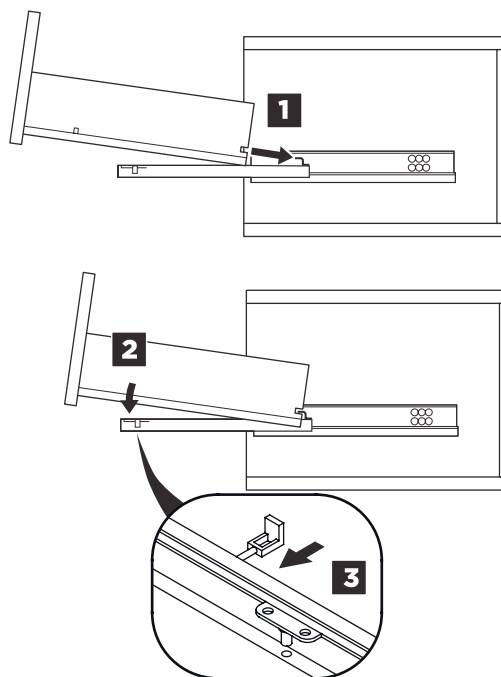


# DRAWER REMOVAL & INSTALLATION

## REMOVAL



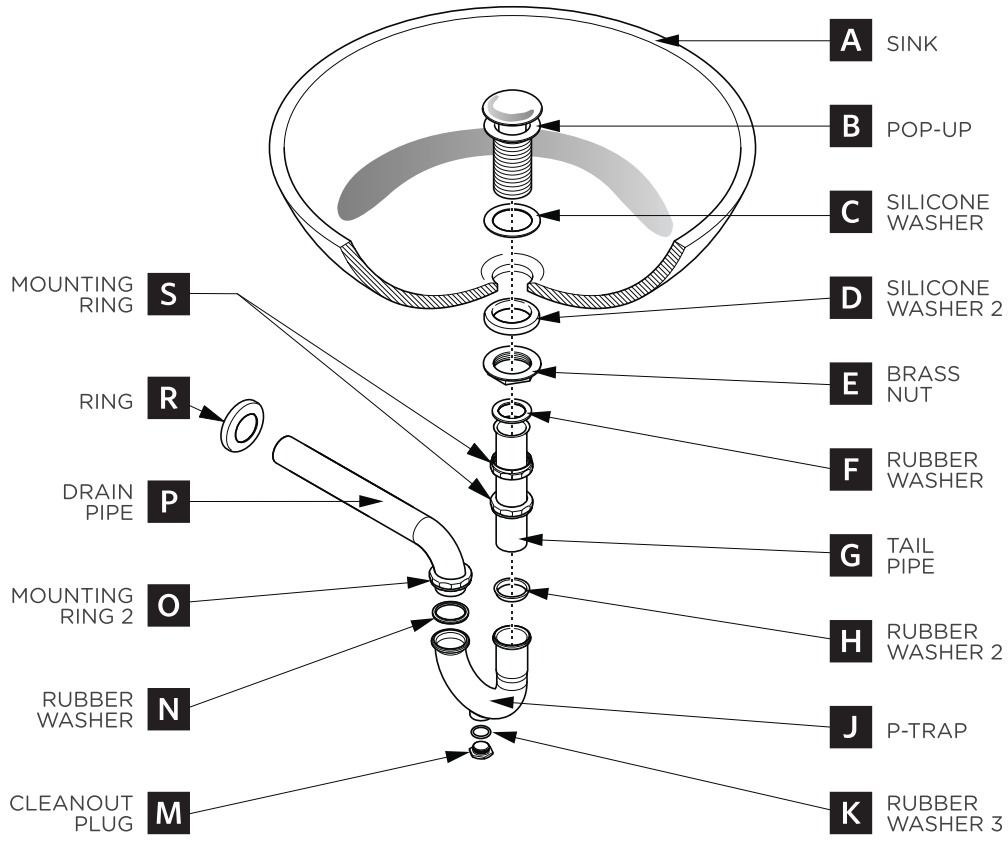
## INSTALLATION



# P-TRAP & POP-UP

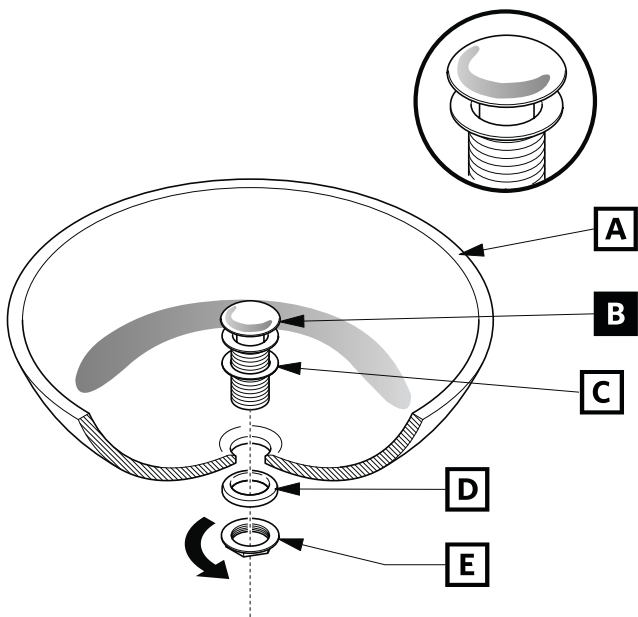
## INSTALLATION INSTRUCTIONS

Your item may appear slightly different from the illustration.



### POP-UP INSTALLATION

#### FOR SINKS WITHOUT OVERFLOW



OR

#### FOR SINKS WITH OVERFLOW

