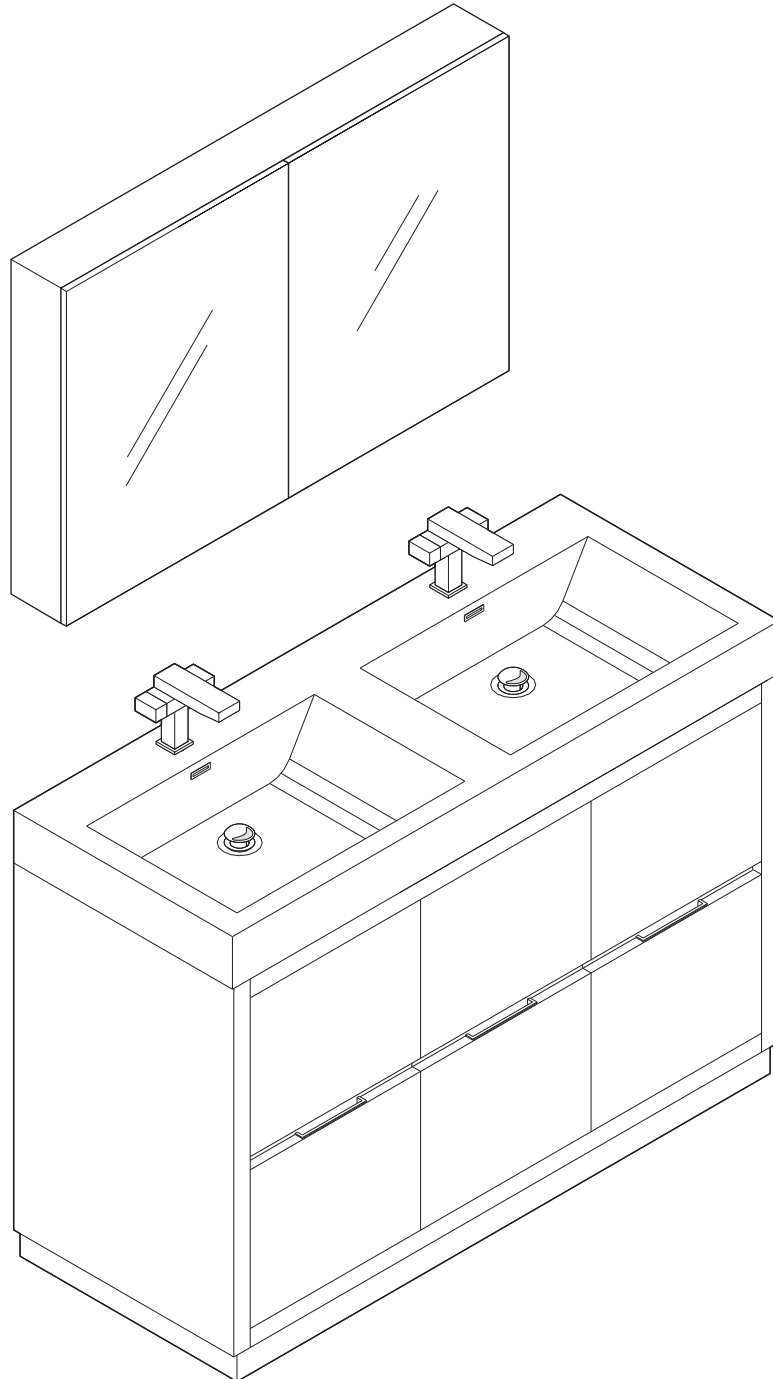
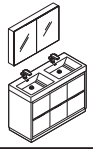


FVN8448-D
VALENCIA
INSTALLATION GUIDE

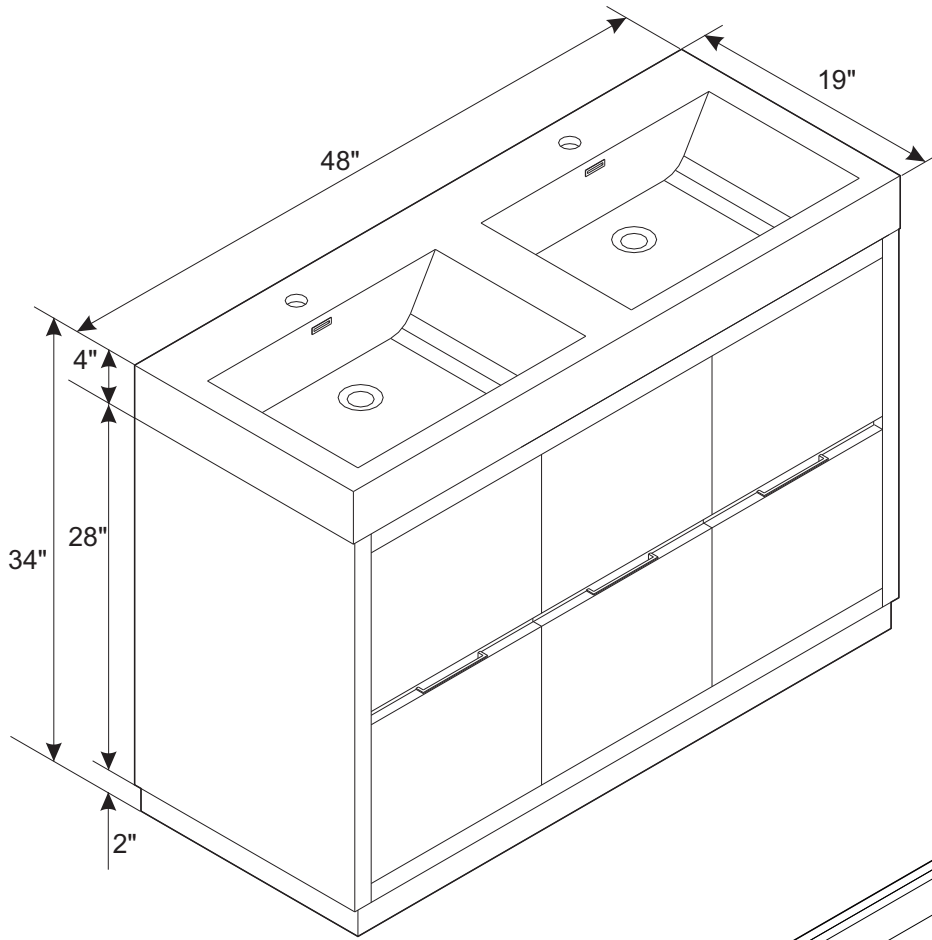


FRESCA®

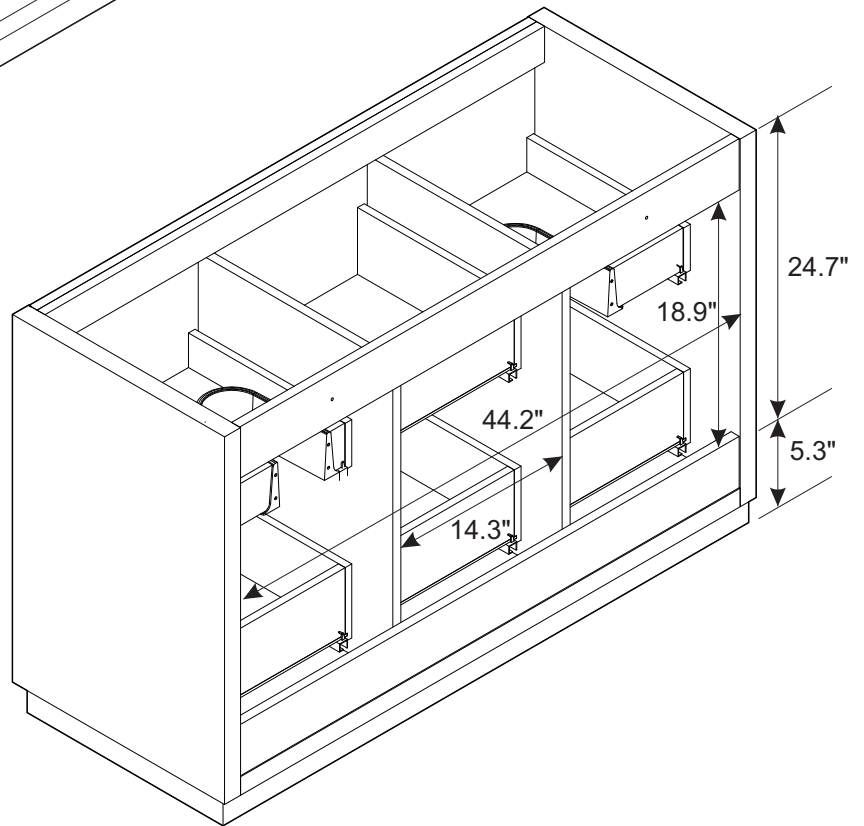




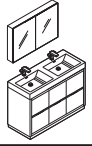
FVN8448-D
VALENCIA
INSTALLATION GUIDE



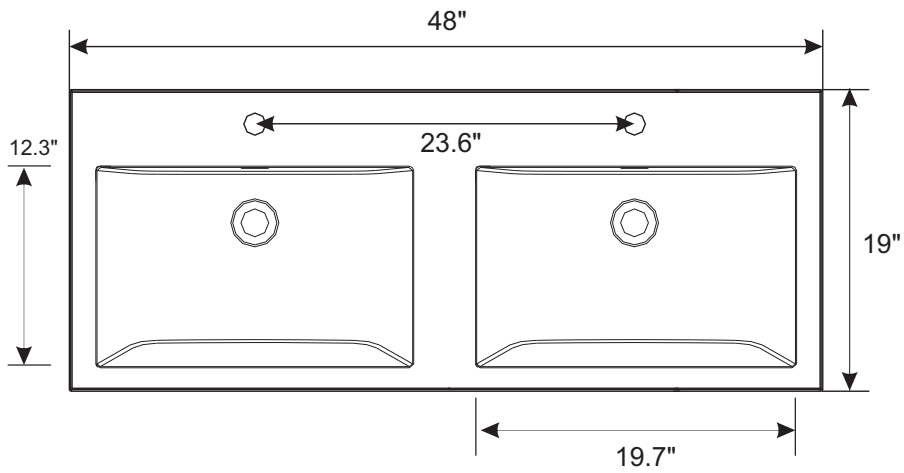
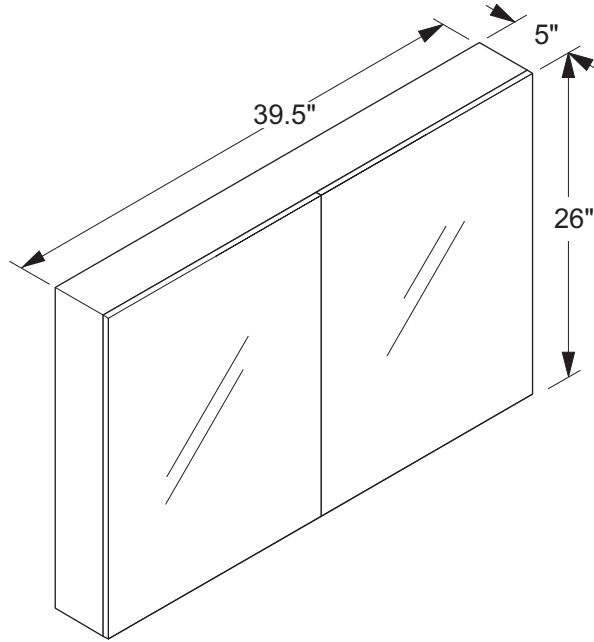
Vanity Front



Vanity Back

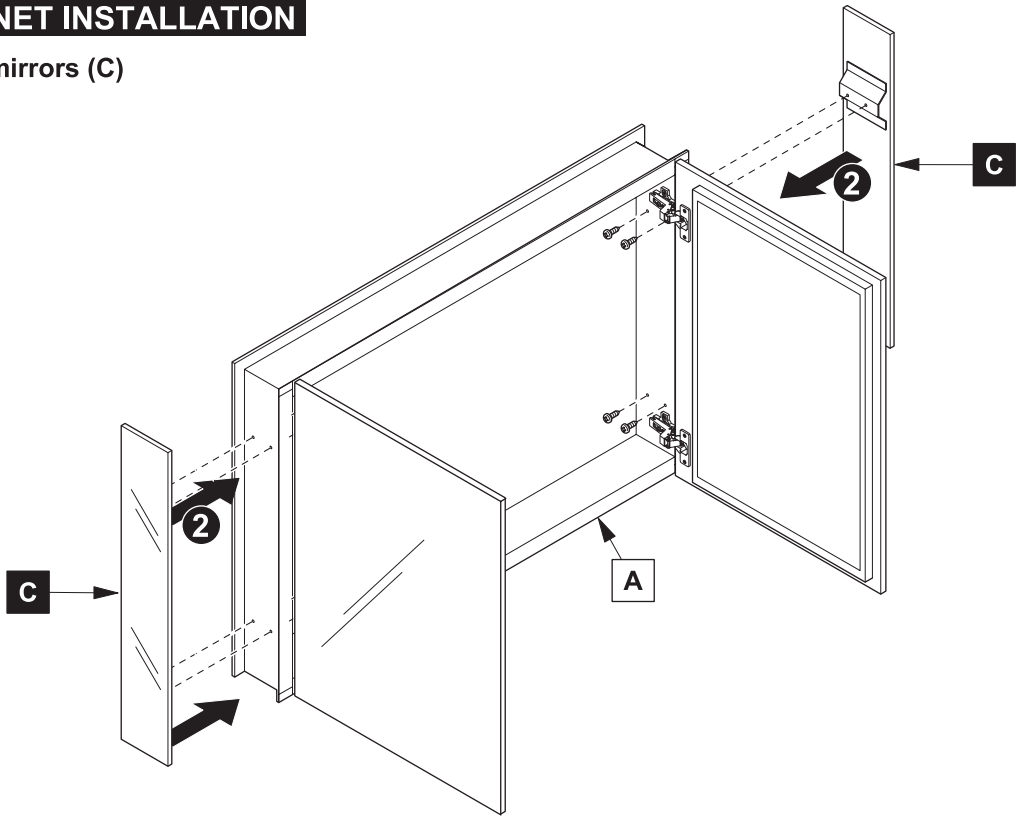


Medicine Cabinet

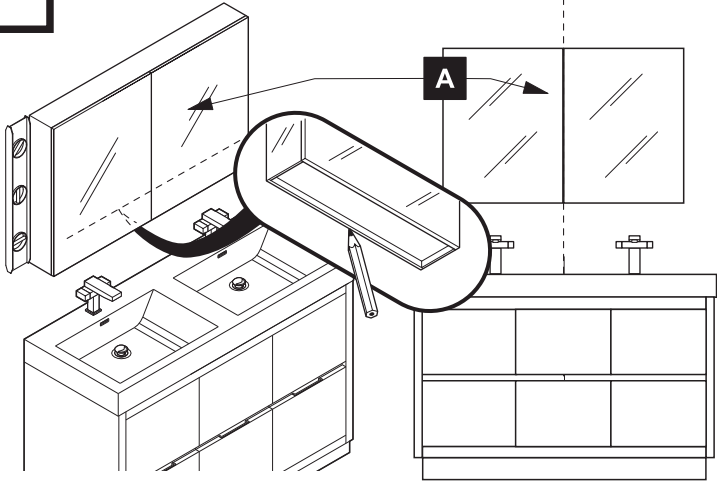


MEDICINE CABINET INSTALLATION

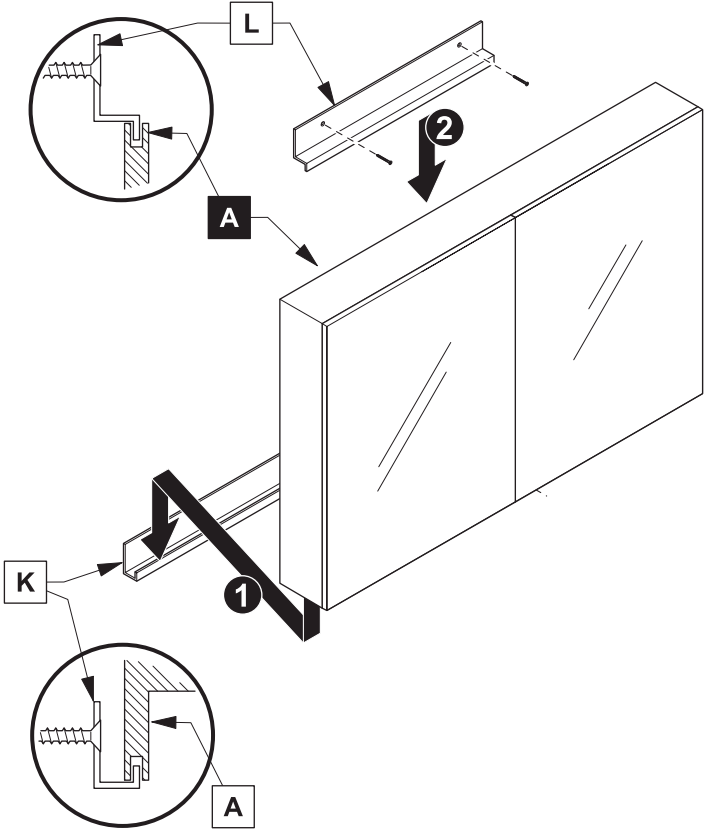
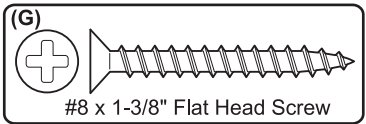
1 Install side mirrors (C)



2 Mark cabinet (A) location

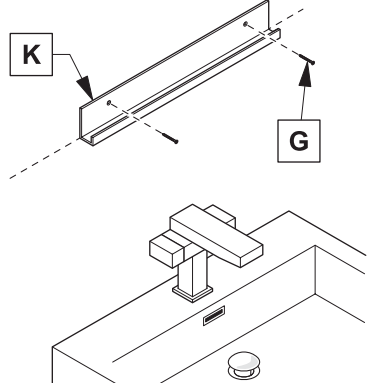
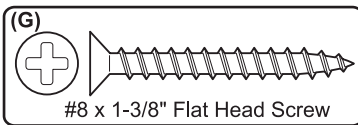


4 Install cabinet (A) and top bracket (L)



3 Install bottom bracket (K)

IMPORTANT: Consult an expert for the proper screws/bolts to use when attaching to various wall constructions. Screws provided do not attach to all wall construction types.

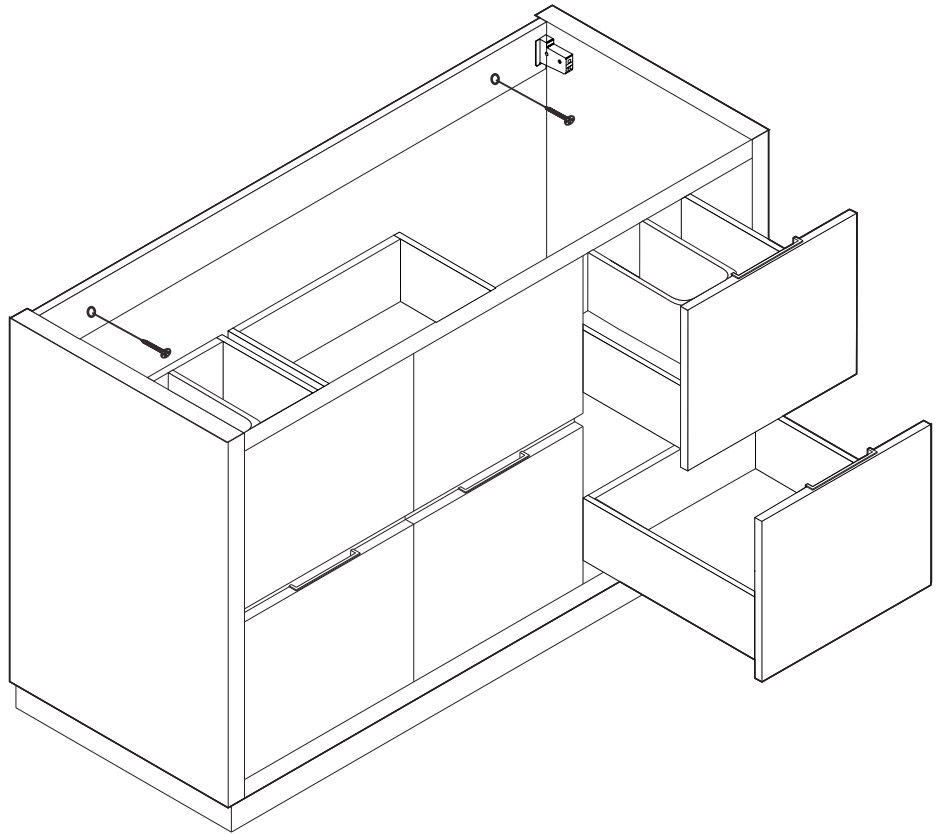


INSTALLATION GUIDE

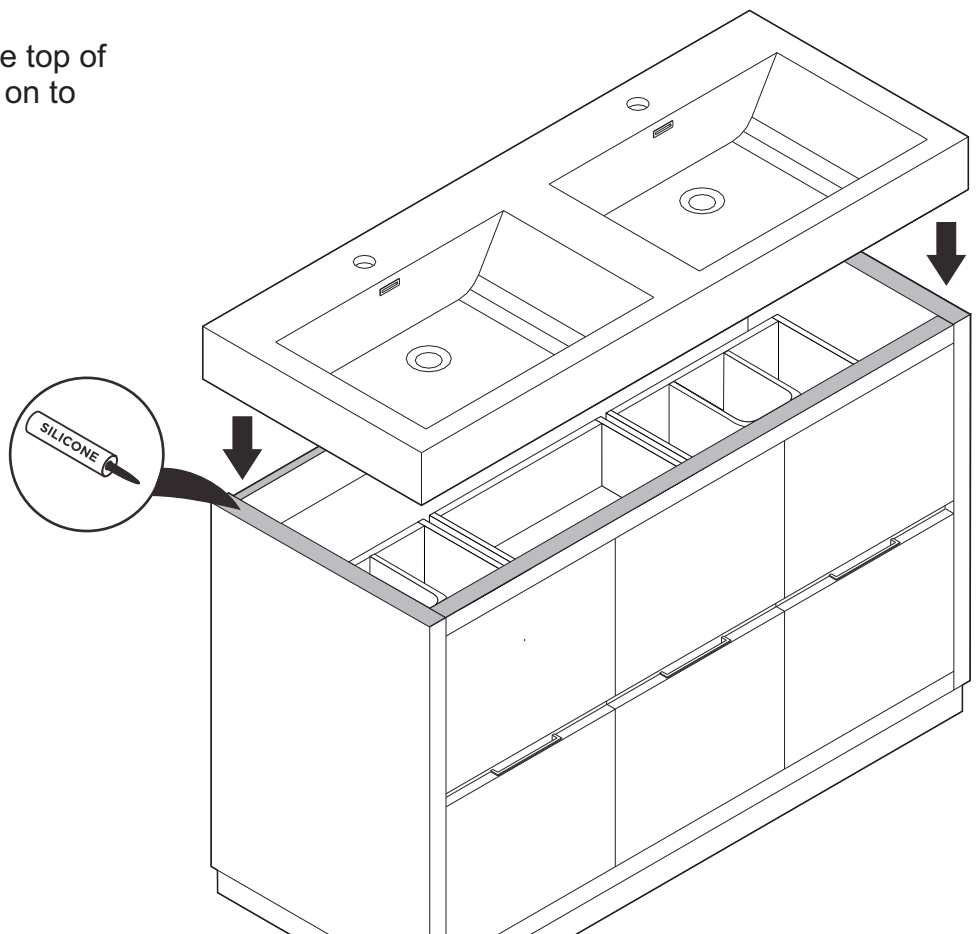
- 1 Secure cabinet to the wall.

IMPORTANT:

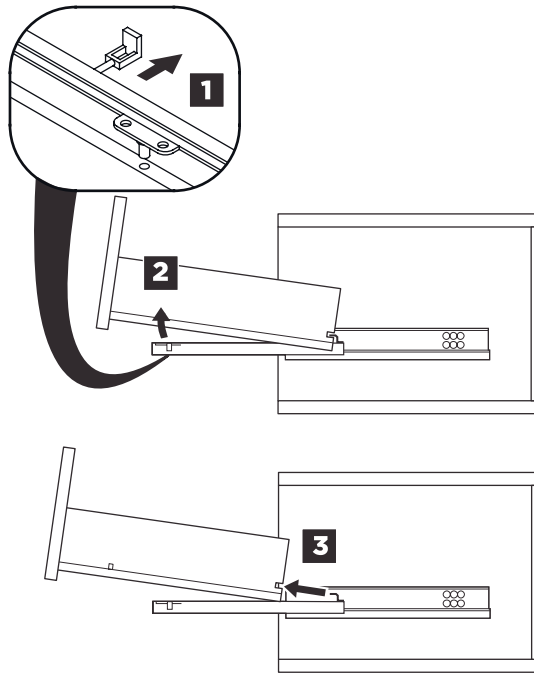
Consult an expert for the proper screws/bolts to use when attaching to various wall constructions. Screws provided **do not** attach to all wall construction types.



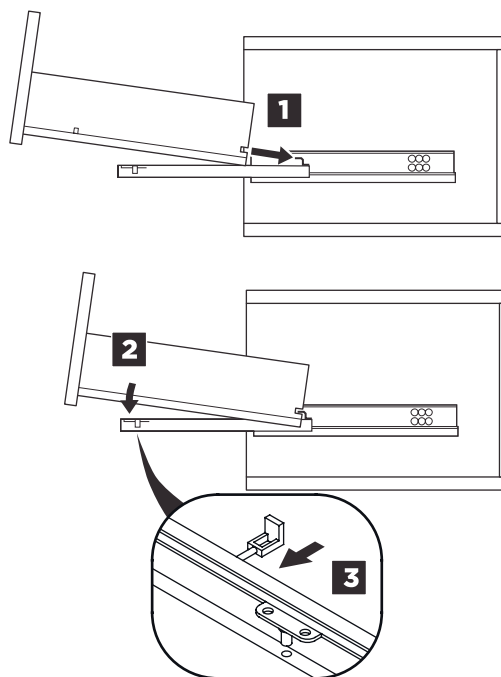
- 2 Apply a bead of silicone on the top of the cabinet and place the sink on to the cabinet.



REMOVAL



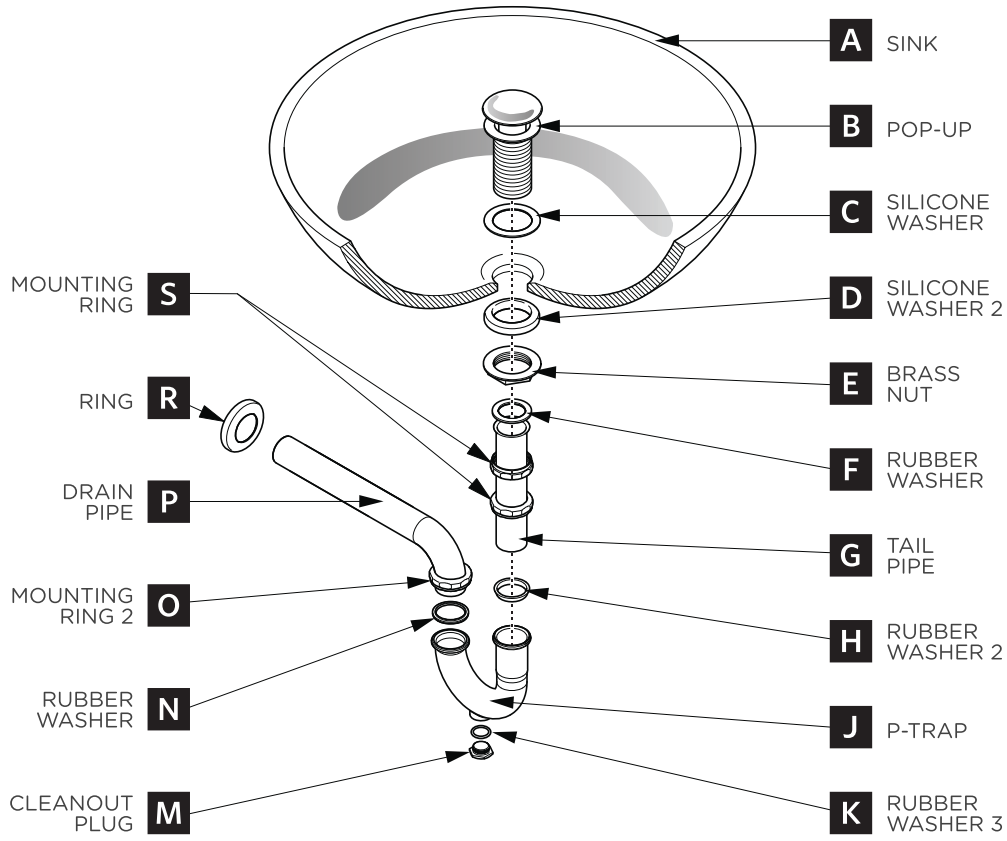
INSTALLATION



P-TRAP & POP-UP

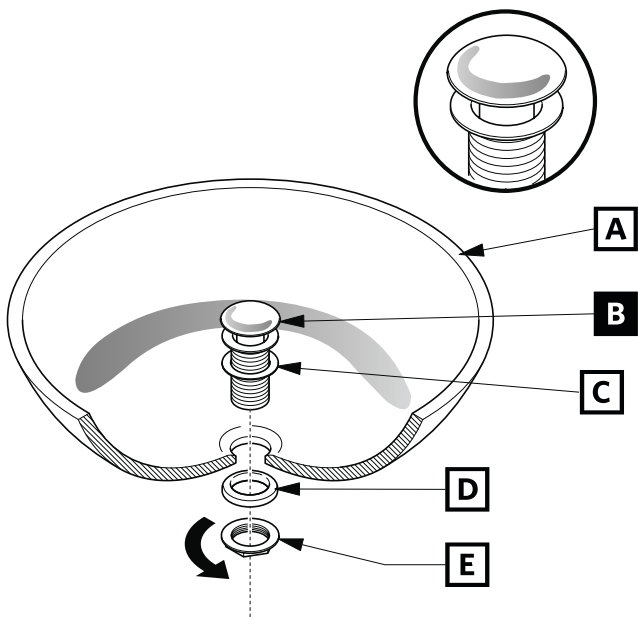
INSTALLATION INSTRUCTIONS

Your item may appear slightly different from the illustration.



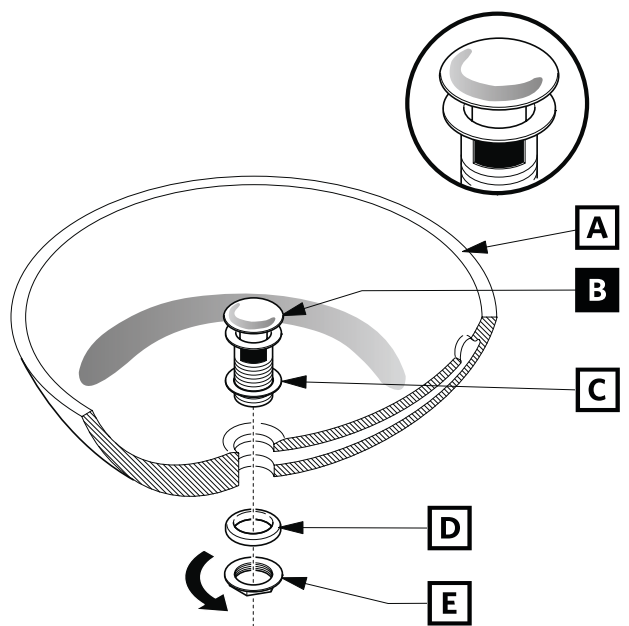
POP-UP INSTALLATION

FOR SINKS WITHOUT OVERFLOW



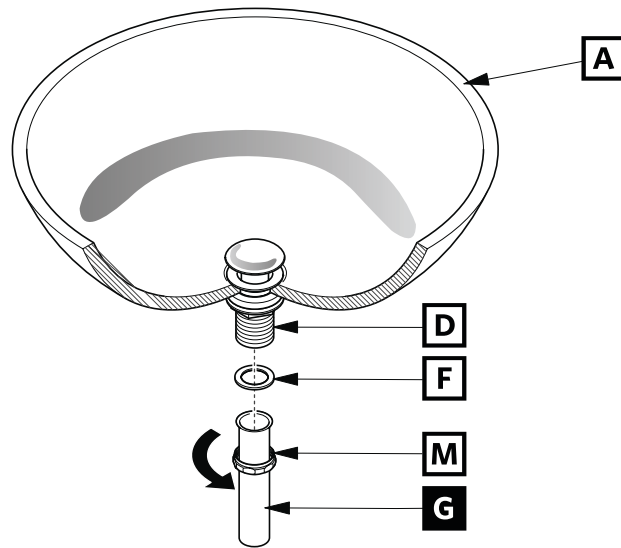
OR

FOR SINKS WITH OVERFLOW



P-TRAP INSTALLATION

1. Install tail pipe (G)



2. Install P-trap (J)

