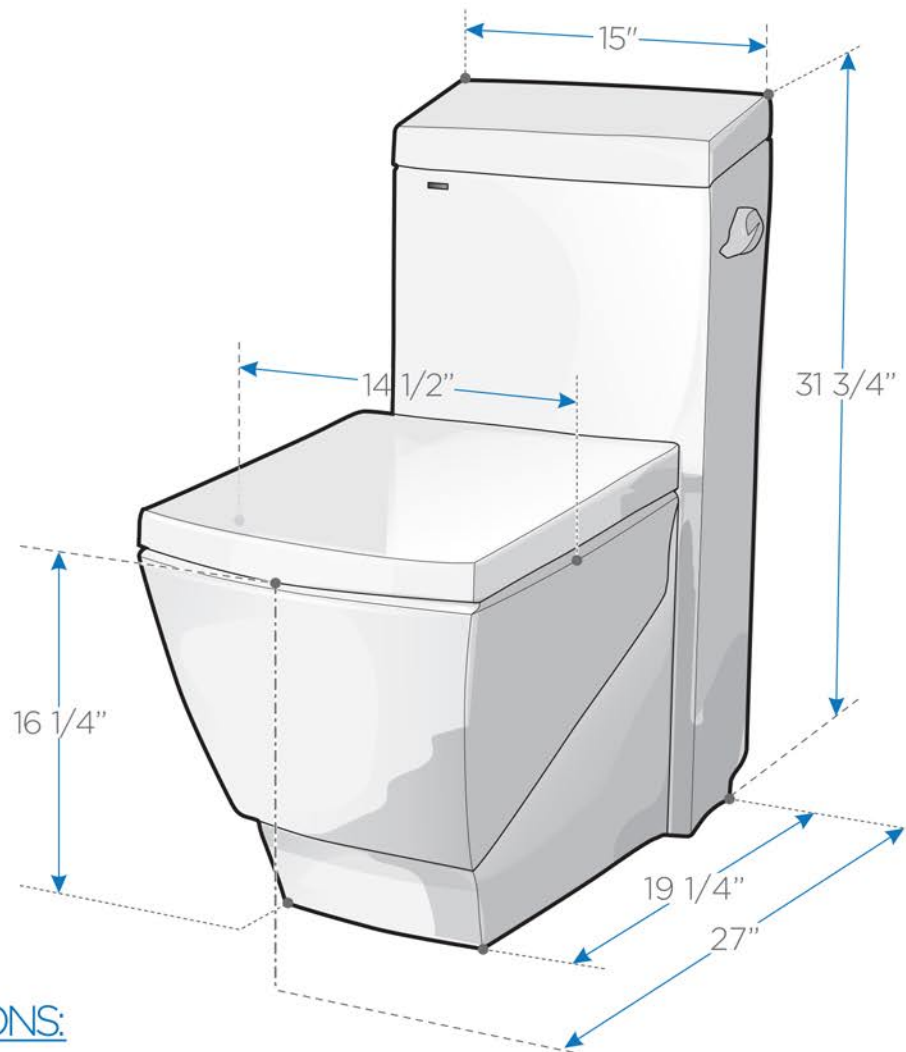



APUS

FTL2336

One-Piece Square Toilet w/ Soft Close Seat



SPECIFICATIONS:

- UPC Approval 
- Water Sense EPA Certification
- 1.28GPF Water Consumption
- Soft Close / Non Slamming Seat Included
- One Piece Construction
- Elongated Bowl Type
- 12" Trap Distance
- Drain w/ Trap Included
- High Quality Stain Resistant Polish w/ Fully Glazed Trapway
- 3 Years Parts Warranty

BOX DIMENSIONS: L33" W20" H35" GW.126LB

