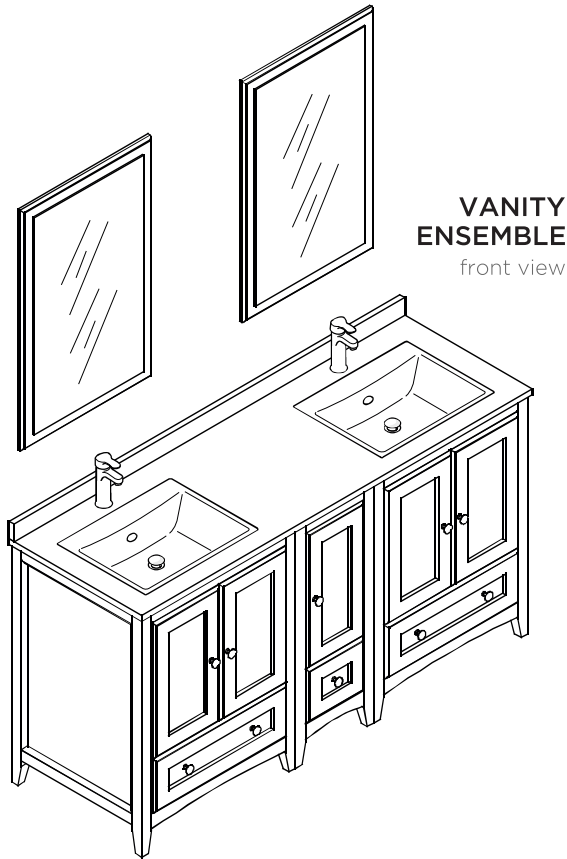
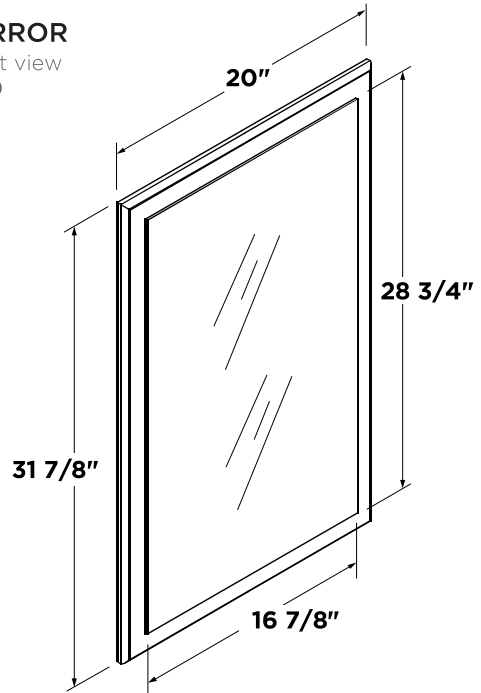


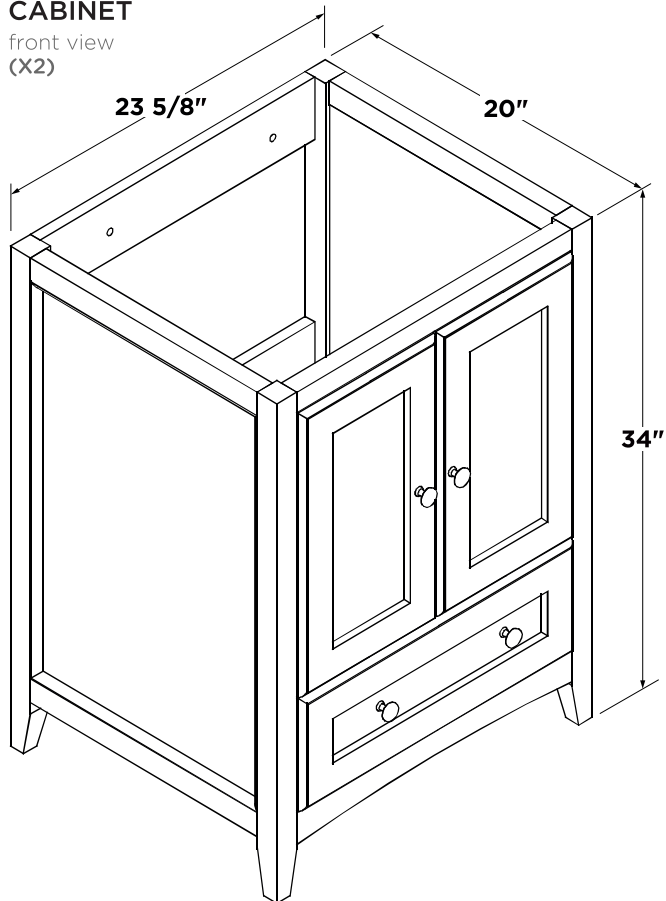
**FVN20-241224**  
**OXFORD**  
**INSTALLATION GUIDE**



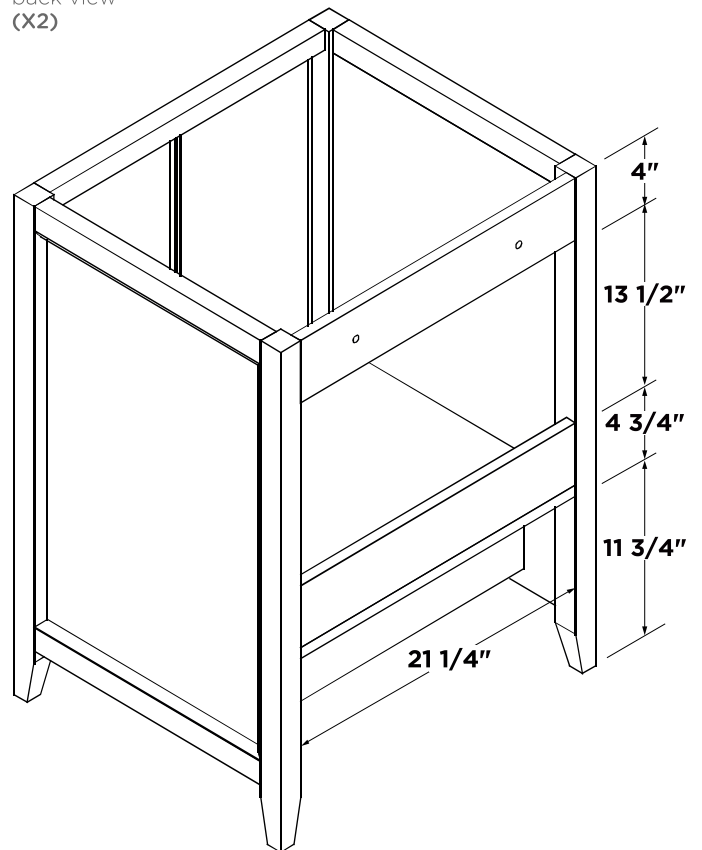
**MIRROR**  
front view  
(X2)



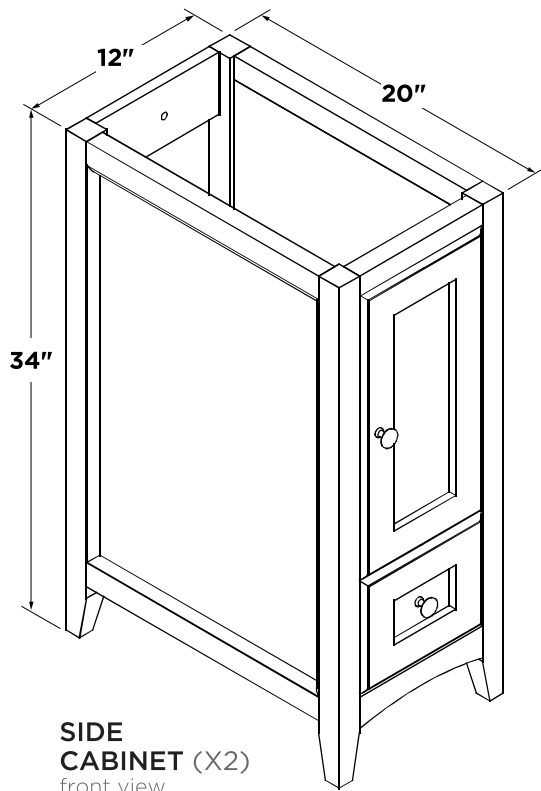
**CABINET**  
front view  
(X2)



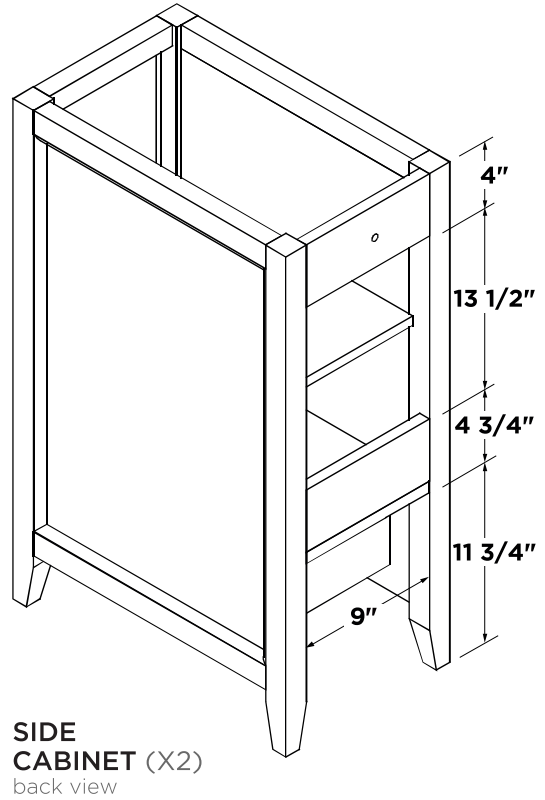
**CABINET**  
back view  
(X2)



## SIDE CABINET DIMENSIONS

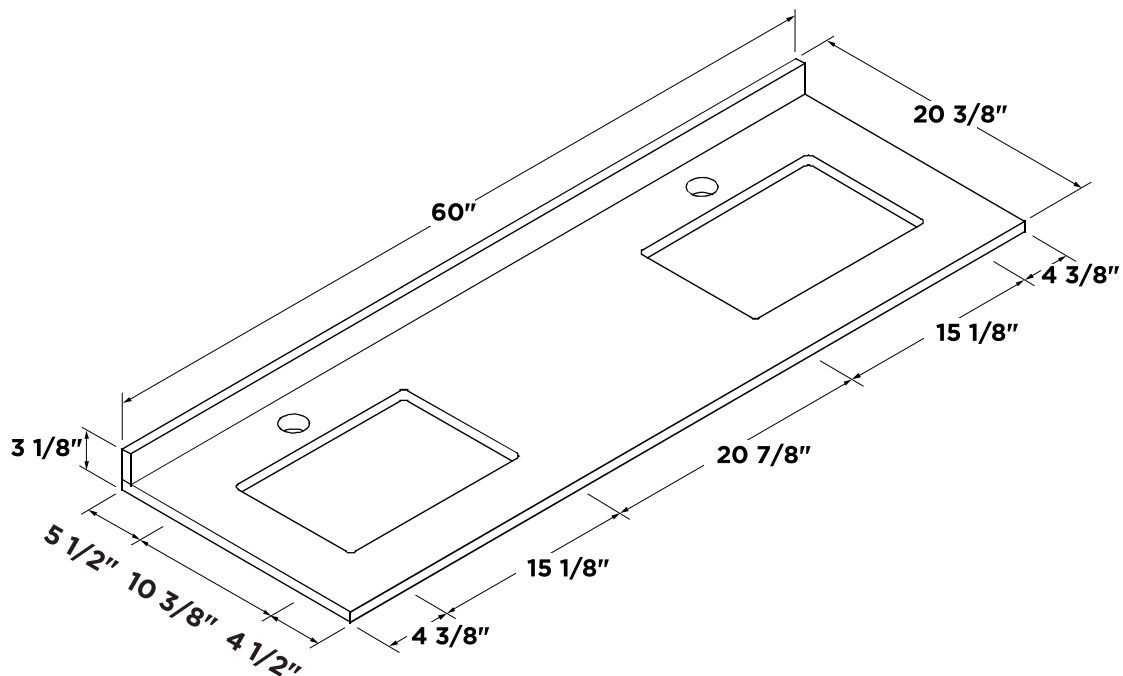


**SIDE CABINET (X2)**  
front view



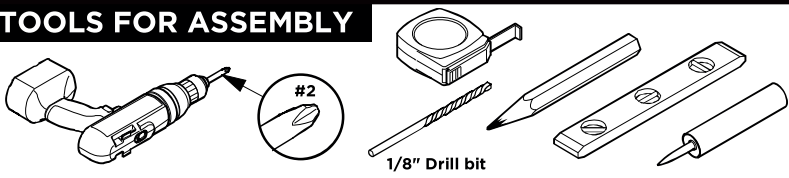
**SIDE CABINET (X2)**  
back view

## COUNTER TOP & BACK SPLASH DIMENSIONS



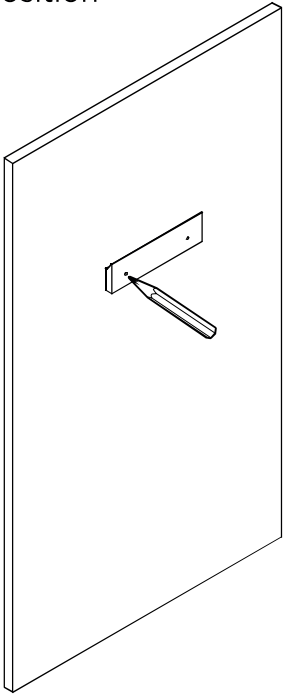
Note: All dimensions and specifications are approximate and subject to change without notice.

## TOOLS FOR ASSEMBLY

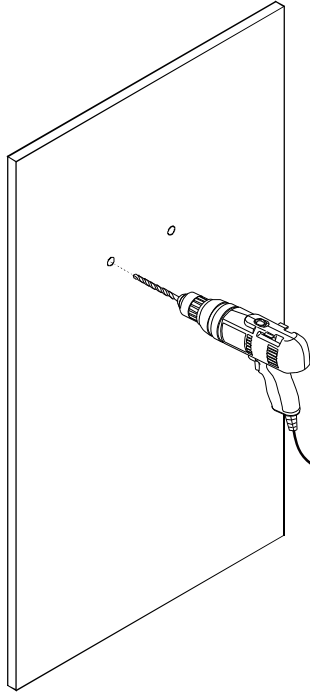


## MIRROR INSTALLATION

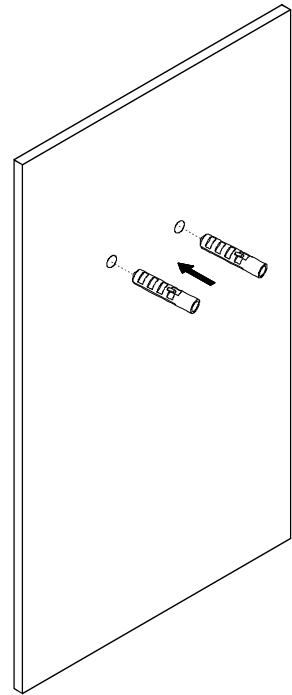
- 1** Level the mirror bracket and then mark the installation position



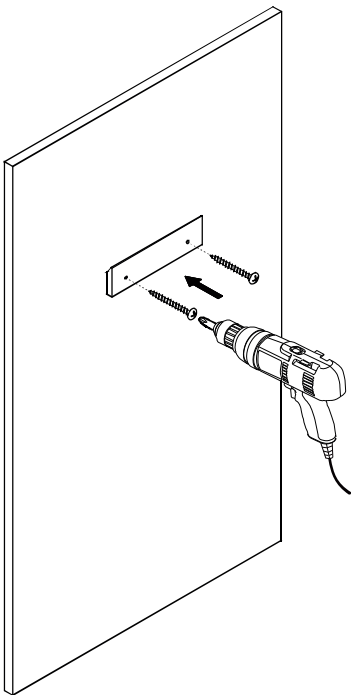
- 2** Drill the installation holes



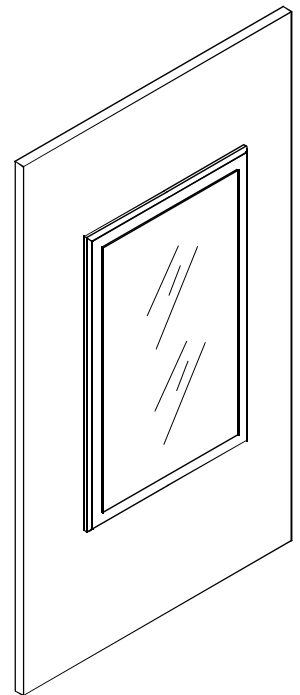
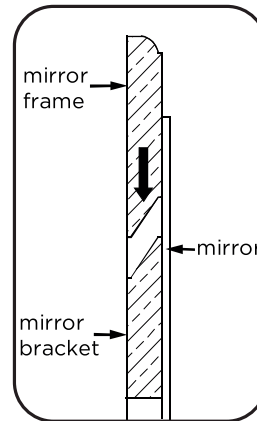
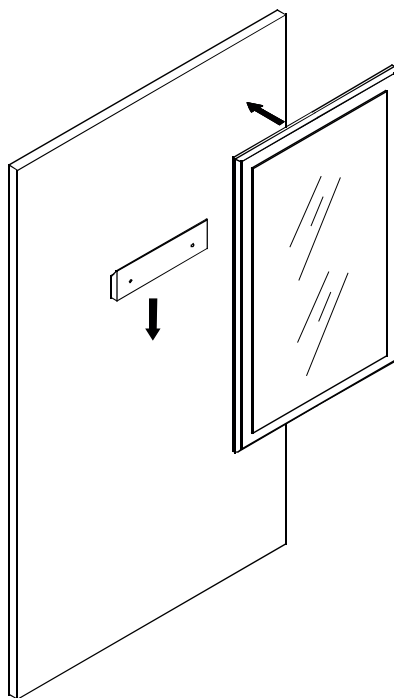
- 3** Insert the plastic plug



- 4** Fix the mirror bracket

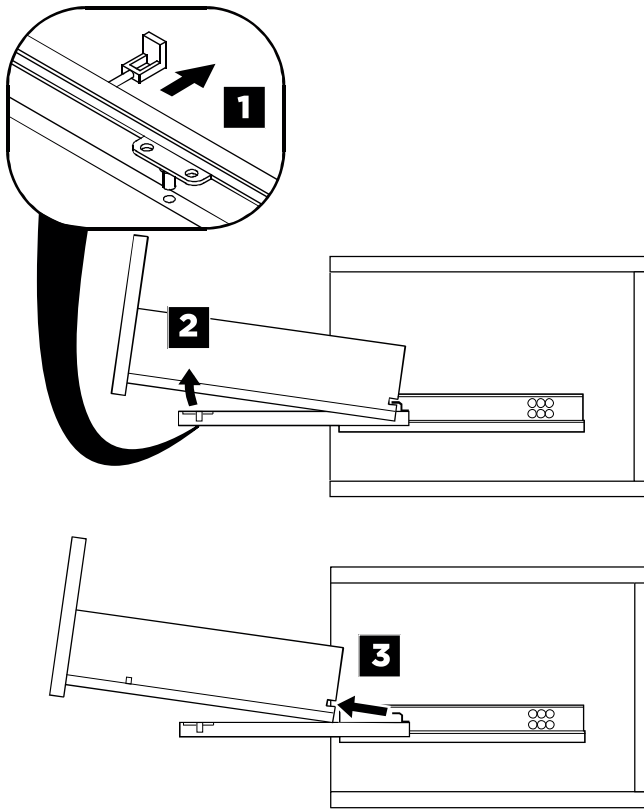


- 5** Hang up the mirror

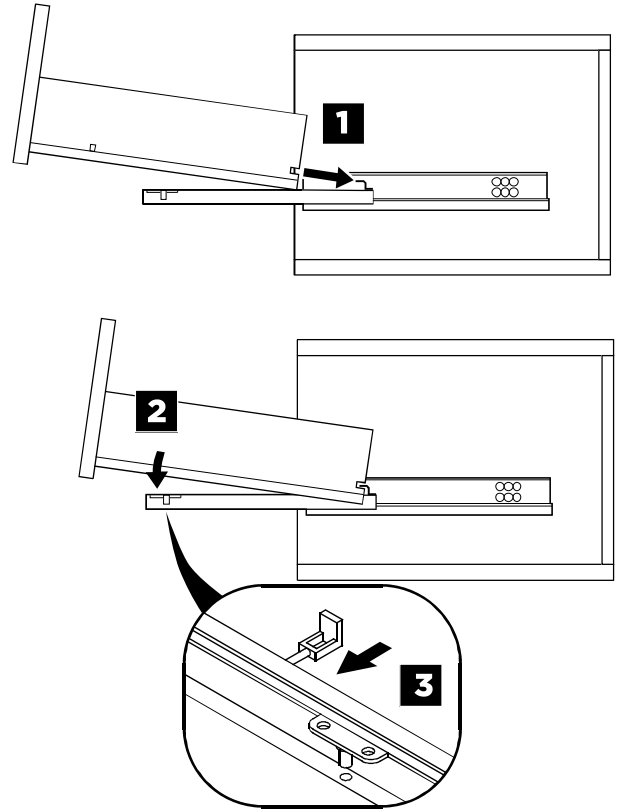


# DRAWER REMOVAL & INSTALLATION

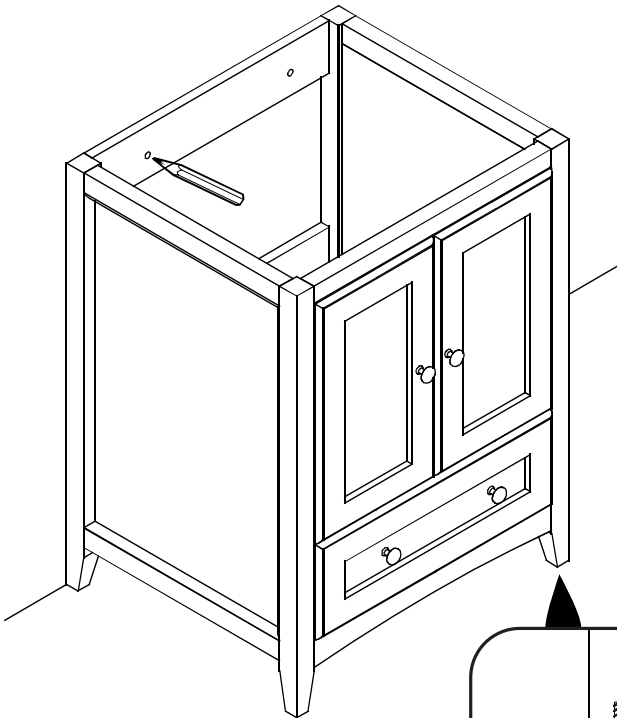
## REMOVAL



## INSTALLATION

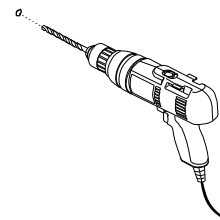


**1** Level the cabinet and mark position for the installation.



To ensure stability, cabinet's height can be regulated by turning the glide clockwise or counterclockwise.  
*(Optional Step)*

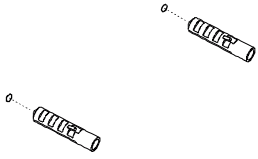
**2** Drill the holes previously marked.



**3**

\*Insert the anchors into the holes

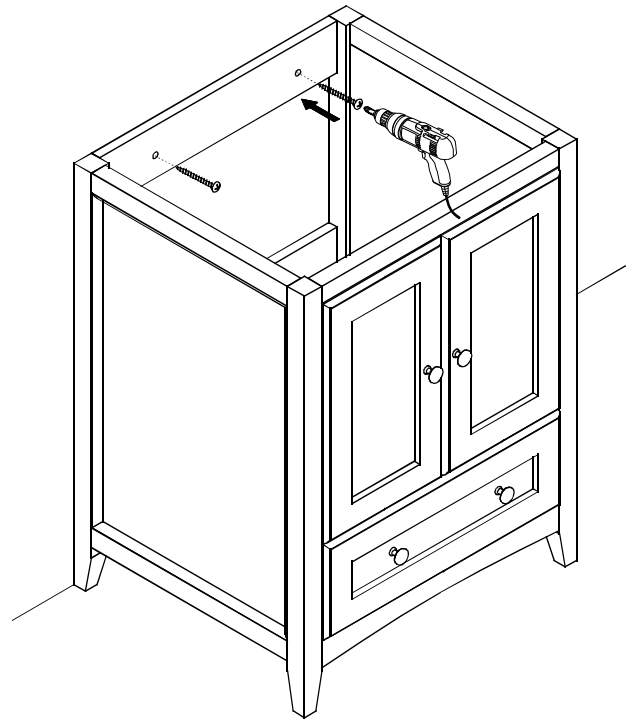
**\*NOTE:**  
Only use anchors  
if stud is not available.



☞ Consult an expert for the proper screws/bolts to use when attaching to various wall constructions. Screws provided **do not attach** to all wall construction types.

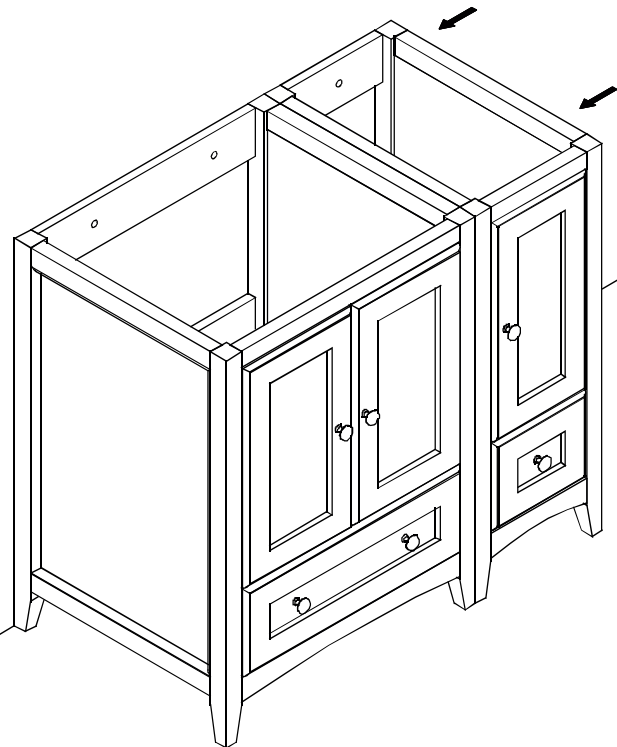
**4**

\*Connect the cabinet to the wall using screws



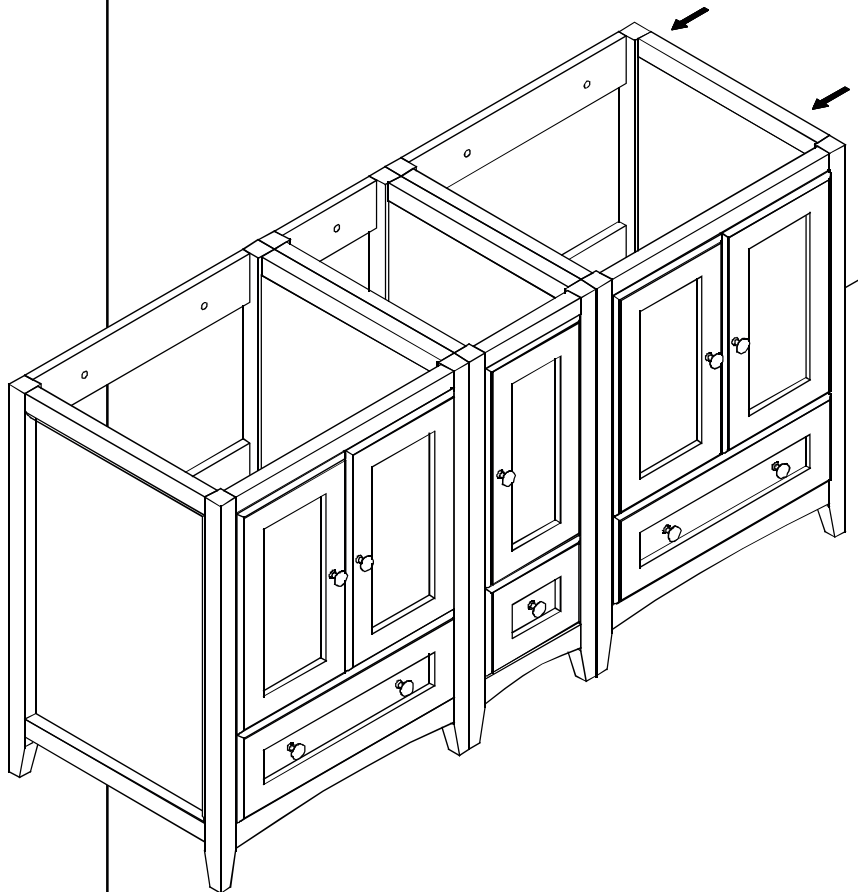
**5**

Make sure that both cabinets are aligned and securely installed.



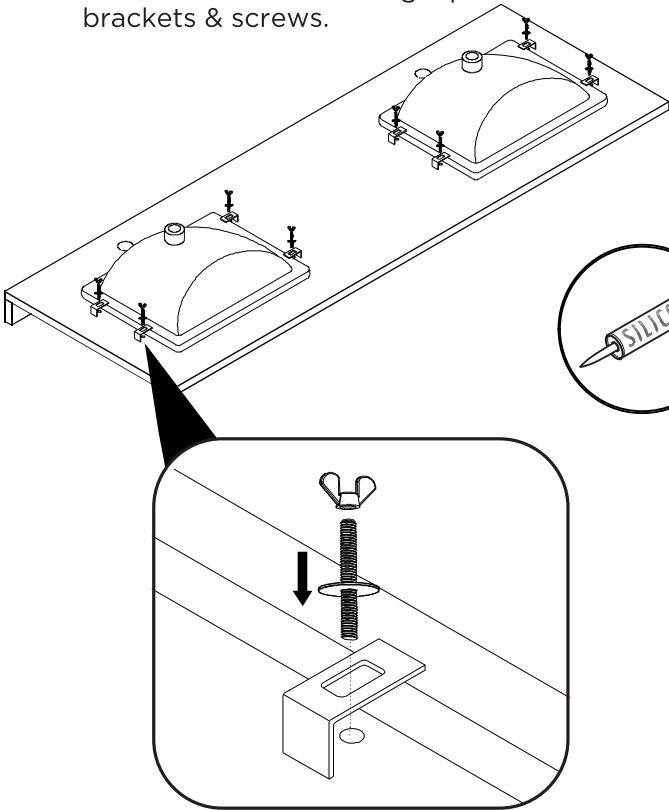
**6**

Repeat the master cabinet installation procedure.



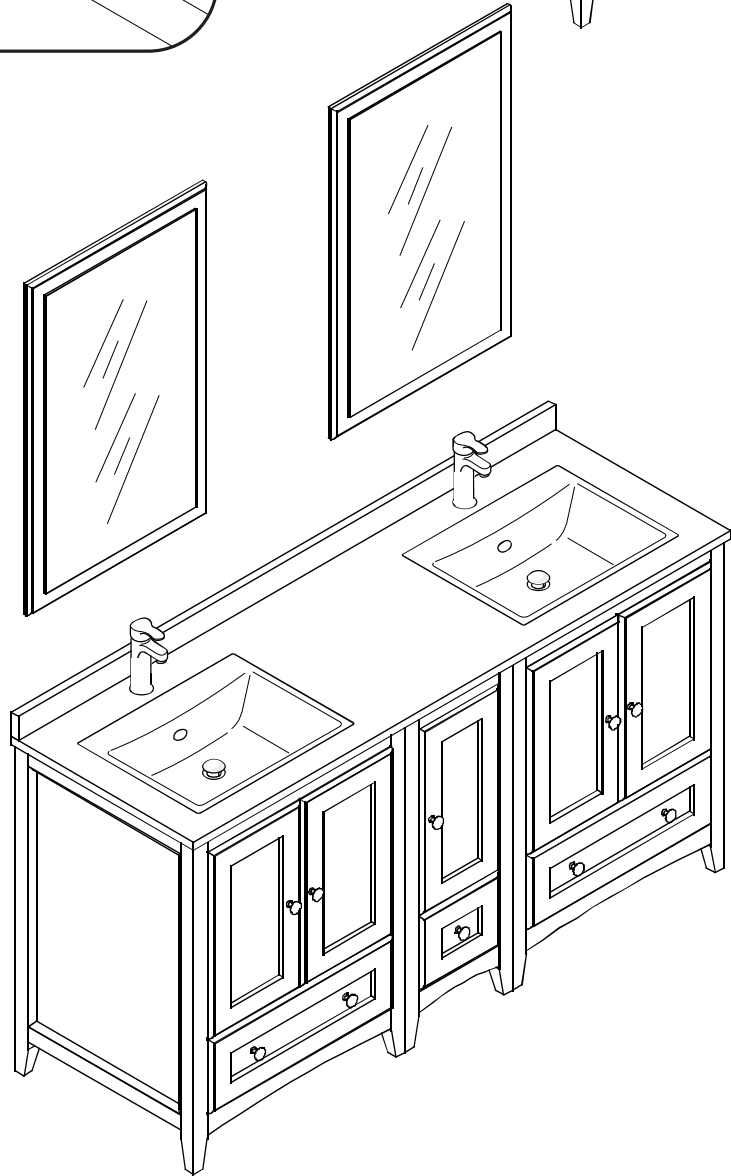
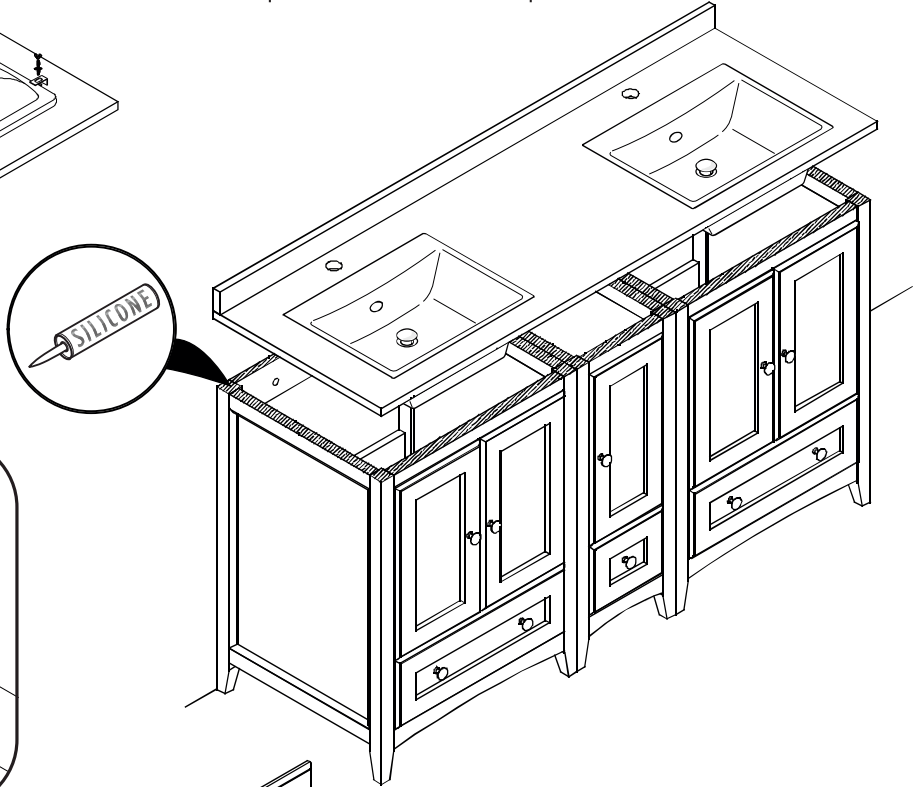
7

Flip the countertop upside down and attach the sink to it using a provided brackets & screws.



8

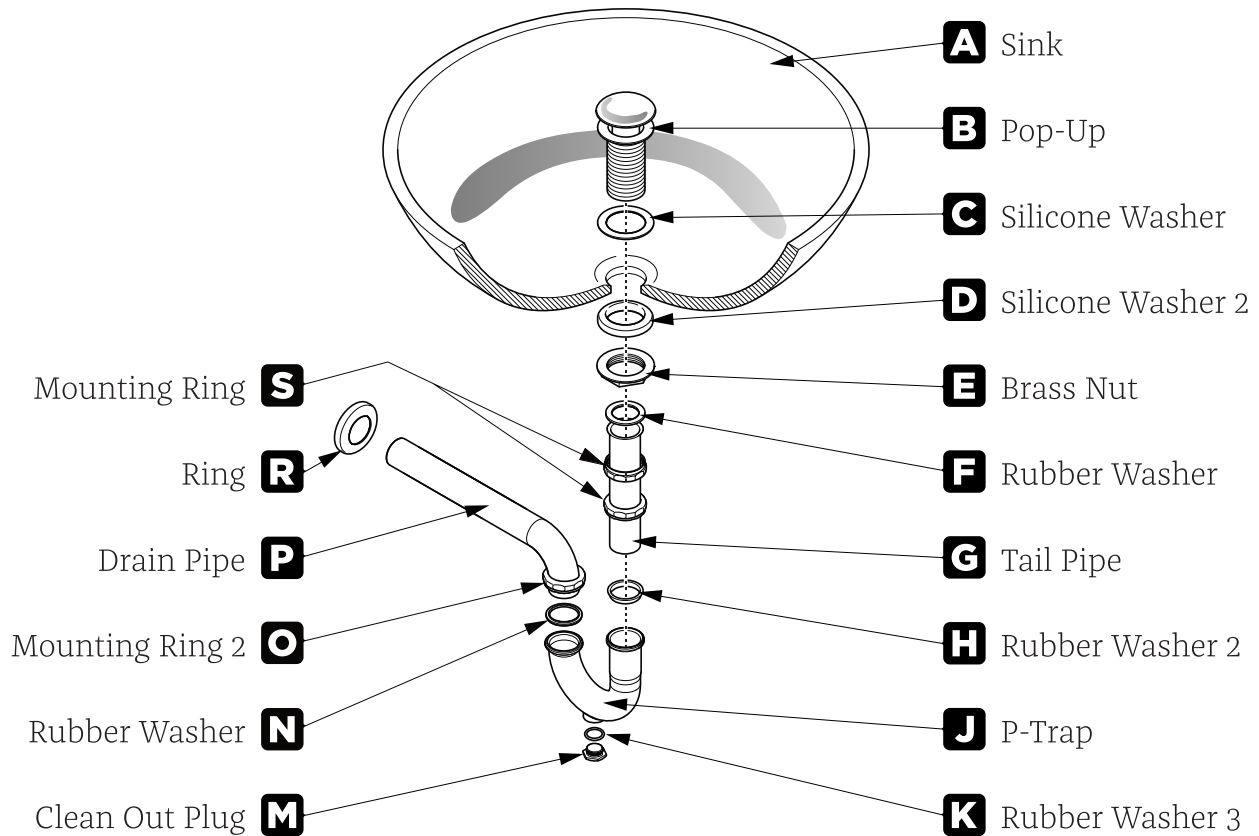
Apply silicone to the top of the cabinet and place the countertop with sink attached on it.



# POP-UP & P-TRAP

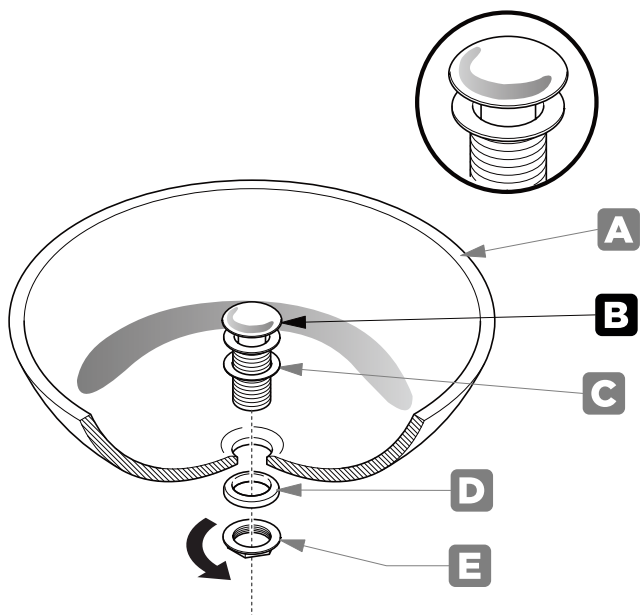
## INSTALLATION INSTRUCTIONS

Your item may appear slightly different from the illustration.



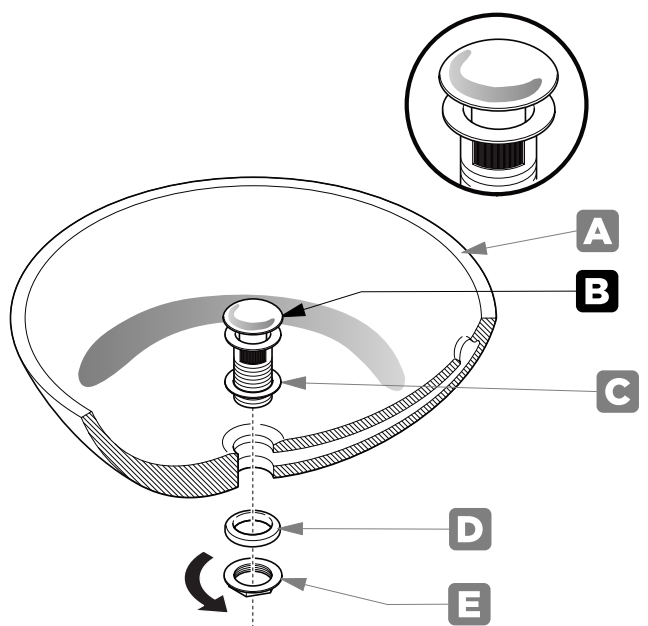
## POP-UP INSTALLATION

**FOR SINKS WITHOUT OVERFLOW**



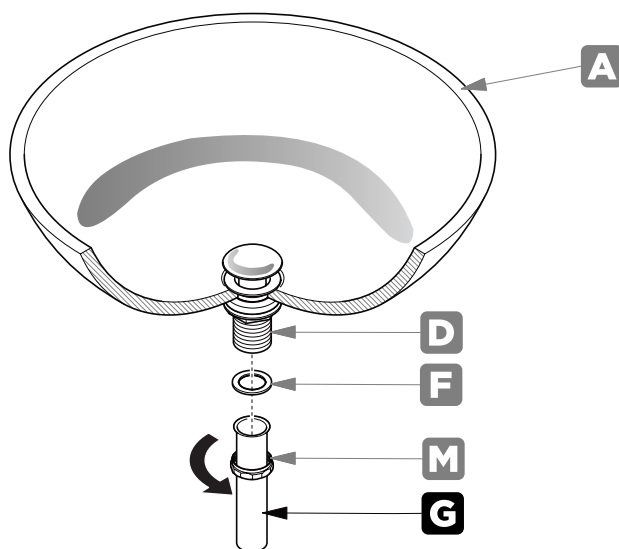
OR

**FOR SINKS WITH OVERFLOW**



# P-TRAP INSTALLATION

**1** Install tail pipe (G).



**2** Install P-trap (J).

