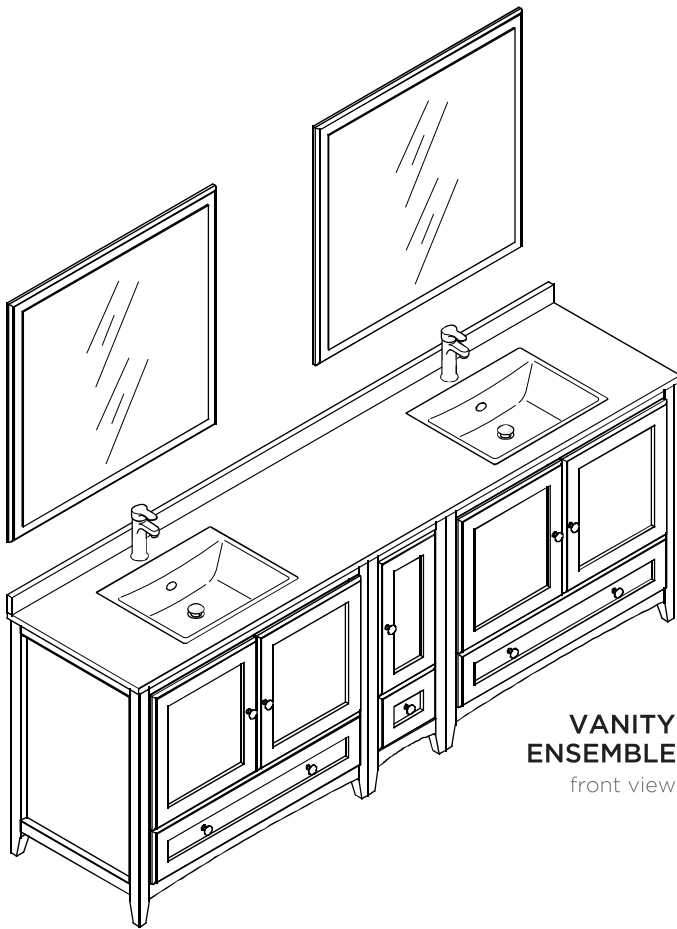
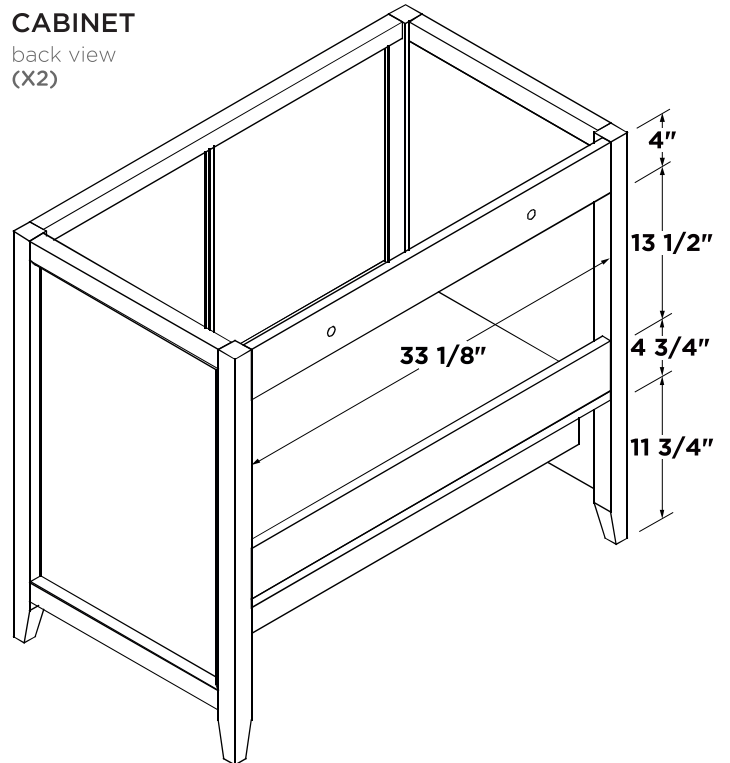
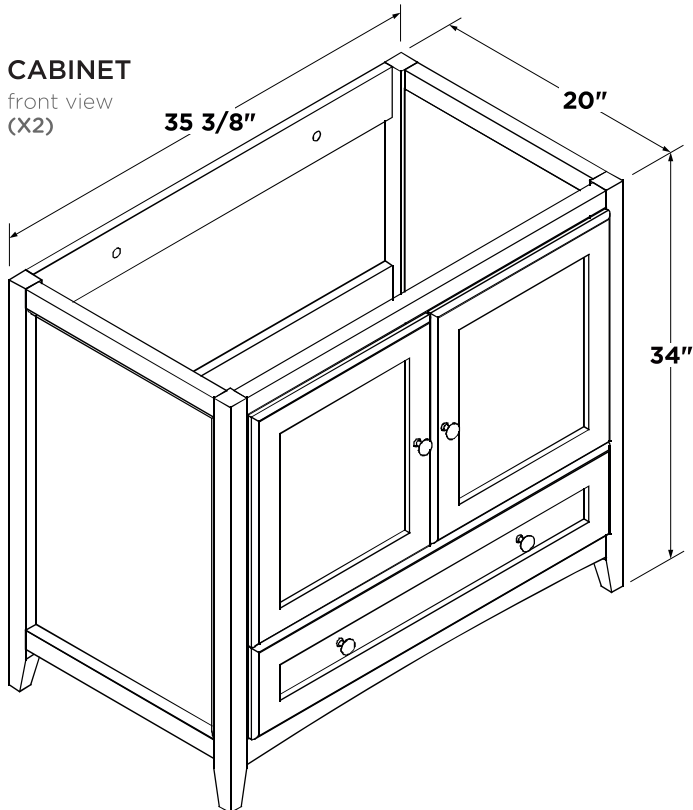
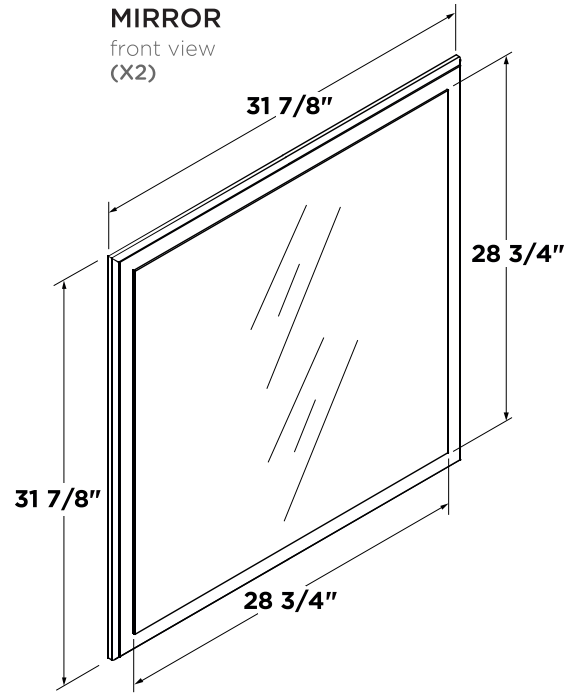


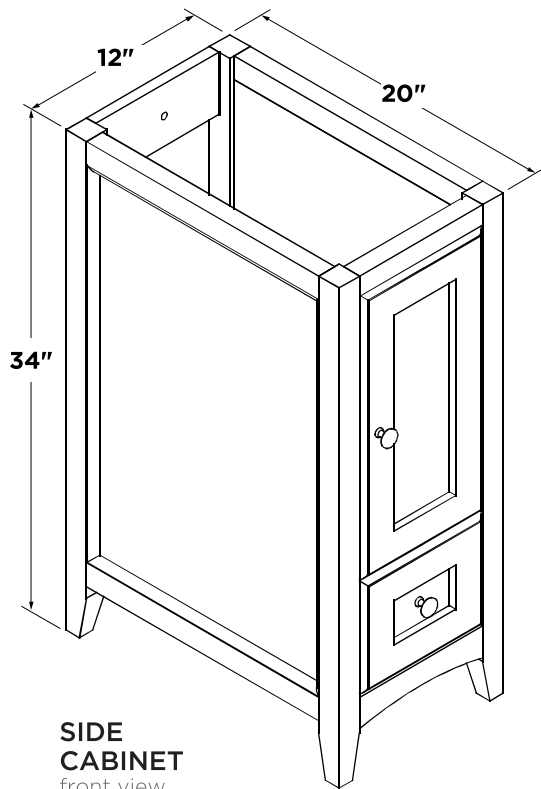
FVN20-361236
OXFORD
INSTALLATION GUIDE



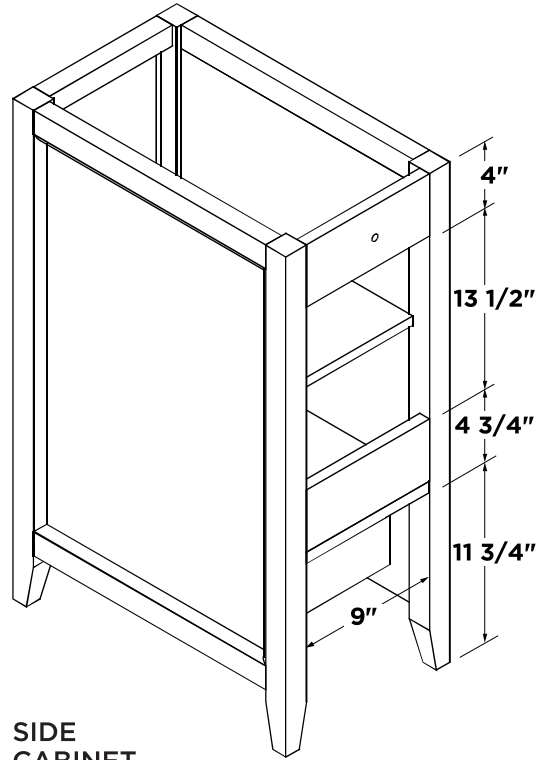
VANITY ENSEMBLE
front view



SIDE CABINET DIMENSIONS

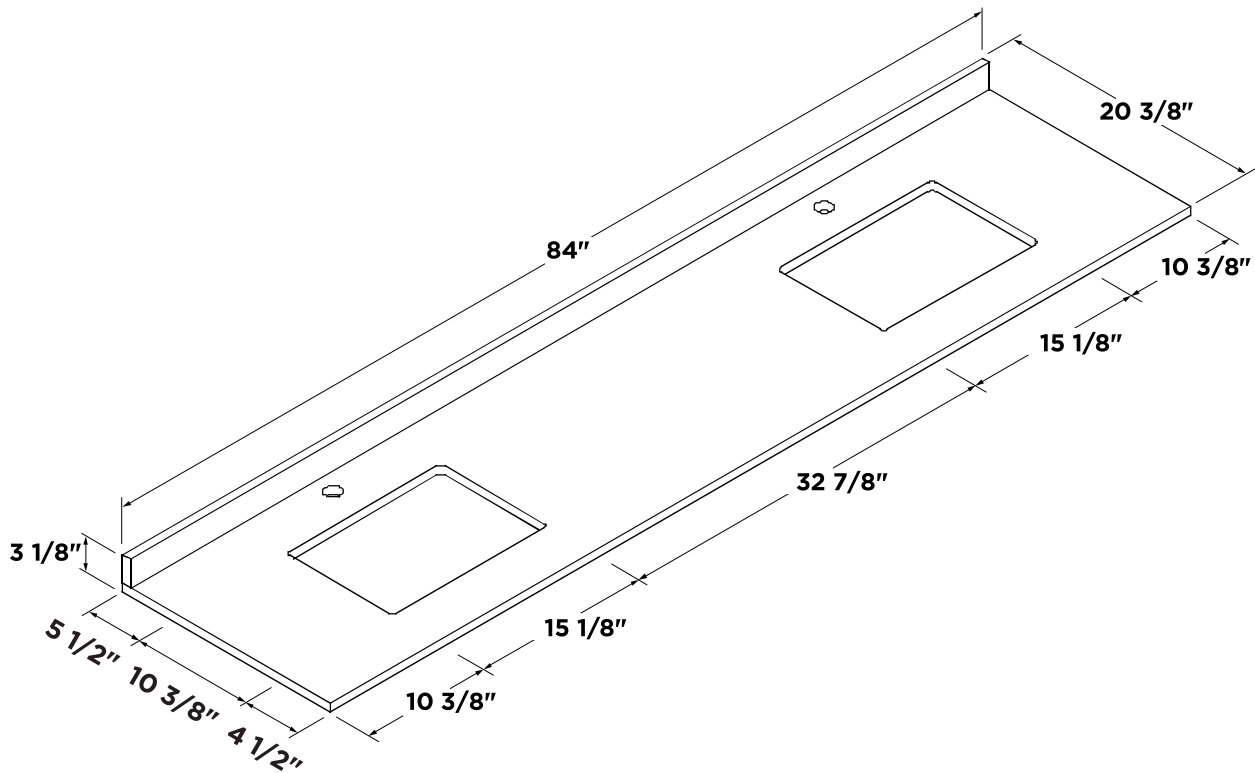


SIDE CABINET
front view



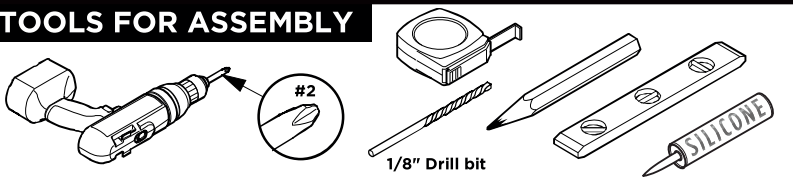
SIDE CABINET
back view

COUNTER TOP & BACK SPLASH DIMENSIONS



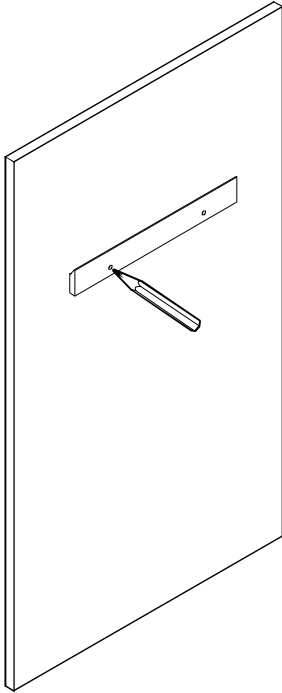
Note: All dimensions and specifications are approximate and subject to change without notice.

TOOLS FOR ASSEMBLY

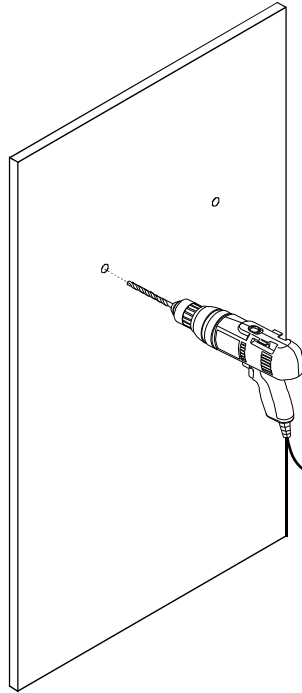


MIRROR INSTALLATION

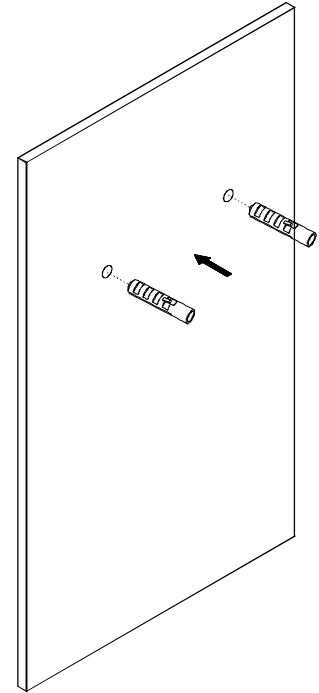
- 1** Level the mirror bracket and then mark the installation position



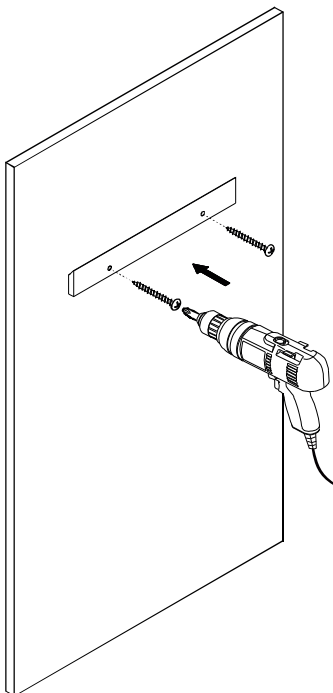
- 2** Drill the installation holes



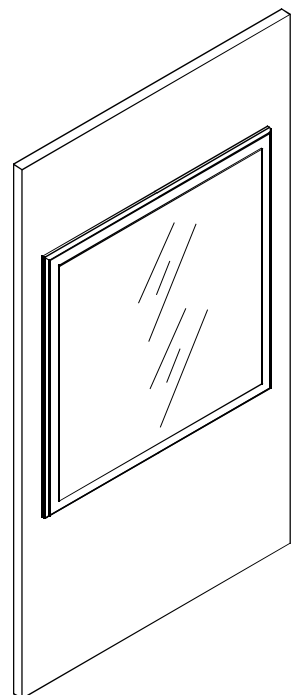
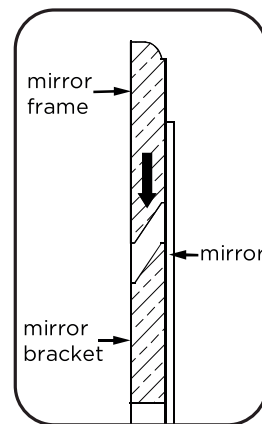
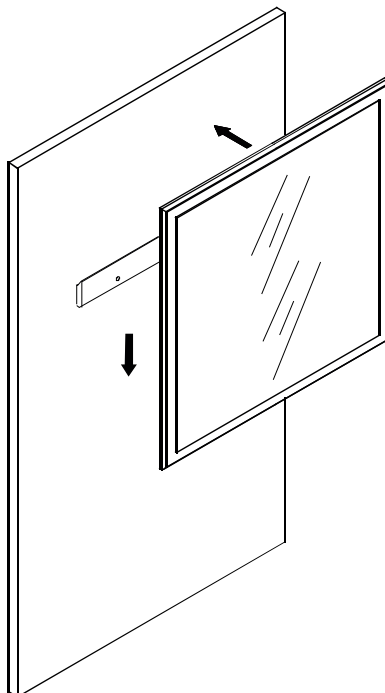
- 3** Insert the plastic plug



- 4** Fix the mirror bracket

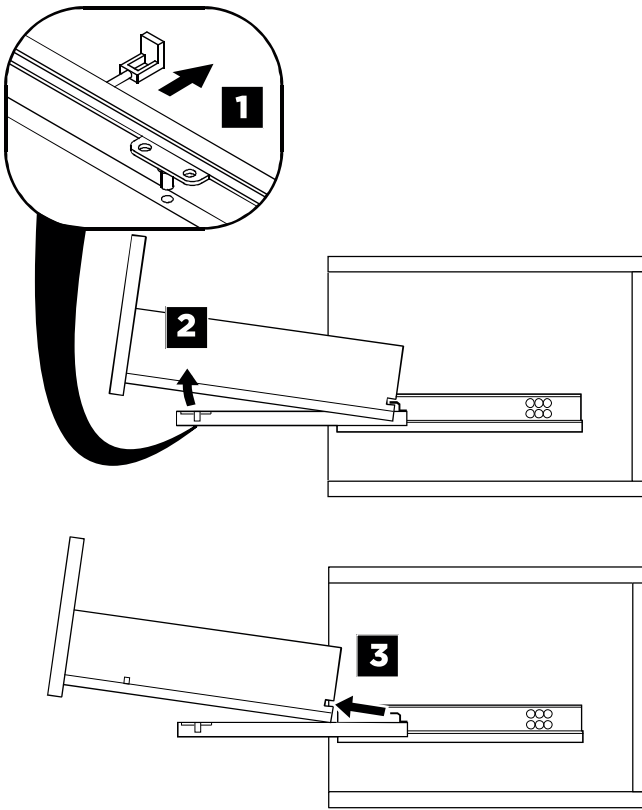


- 5** Hang up the mirror

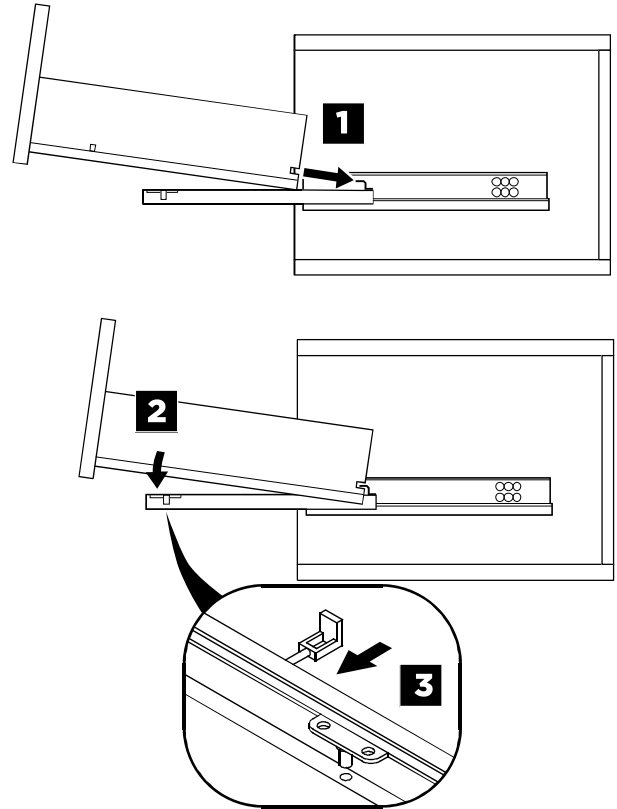


DRAWER REMOVAL & INSTALLATION

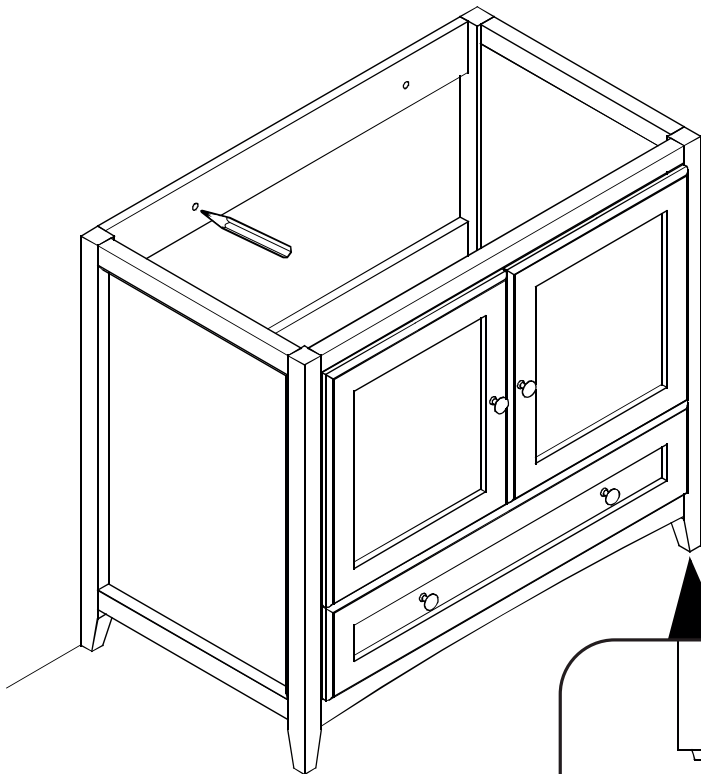
REMOVAL



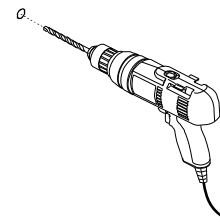
INSTALLATION



1 Level the cabinet and mark position for the installation.



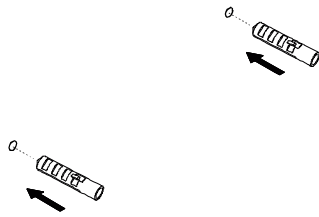
2 Drill the holes previously marked.



3

*Insert the anchors into the holes

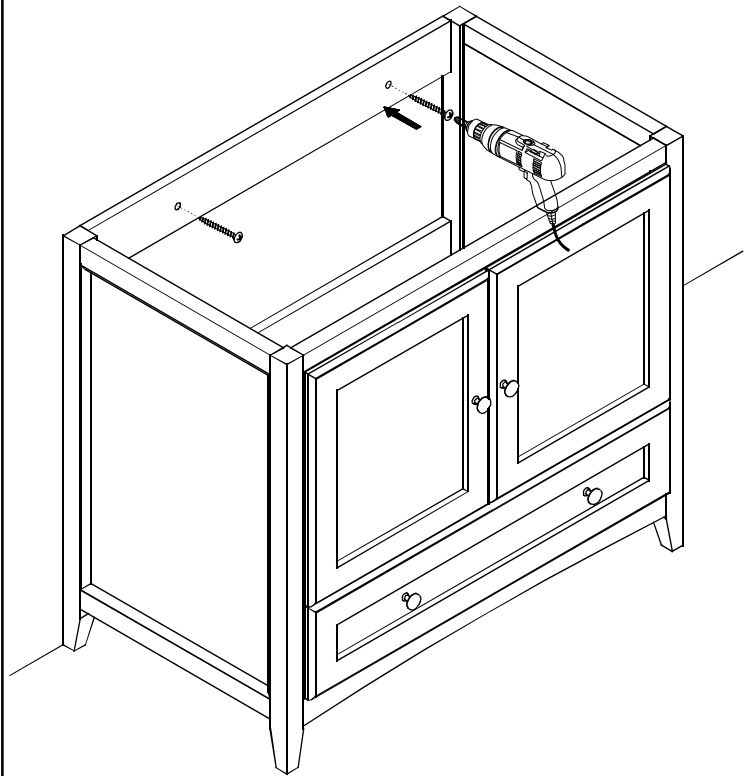
***NOTE:**
Only use anchors
if stud is not available.



☞ Consult an expert for the proper screws/bolts to use when attaching to various wall constructions. Screws provided **do not attach** to all wall construction types.

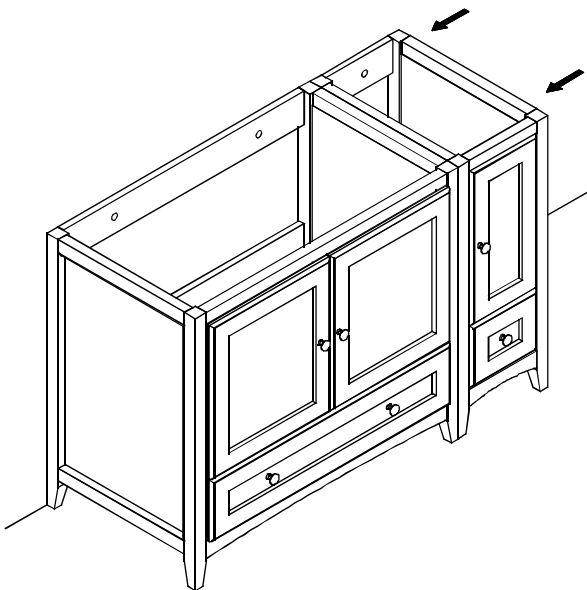
4

*Connect the cabinet to the wall using screws



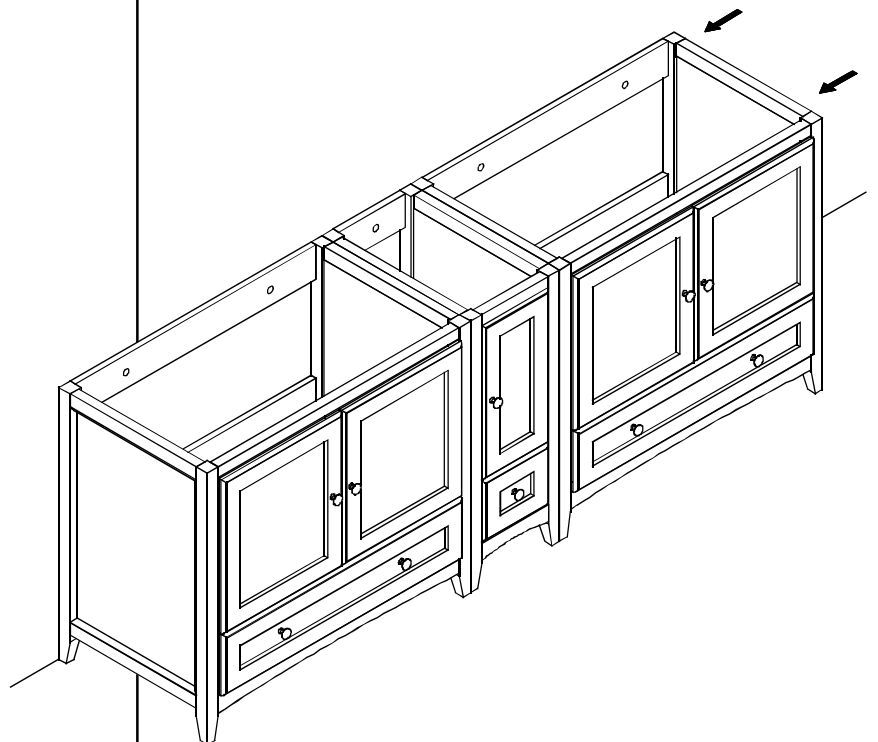
5

Make sure that both cabinets are aligned and securely installed.



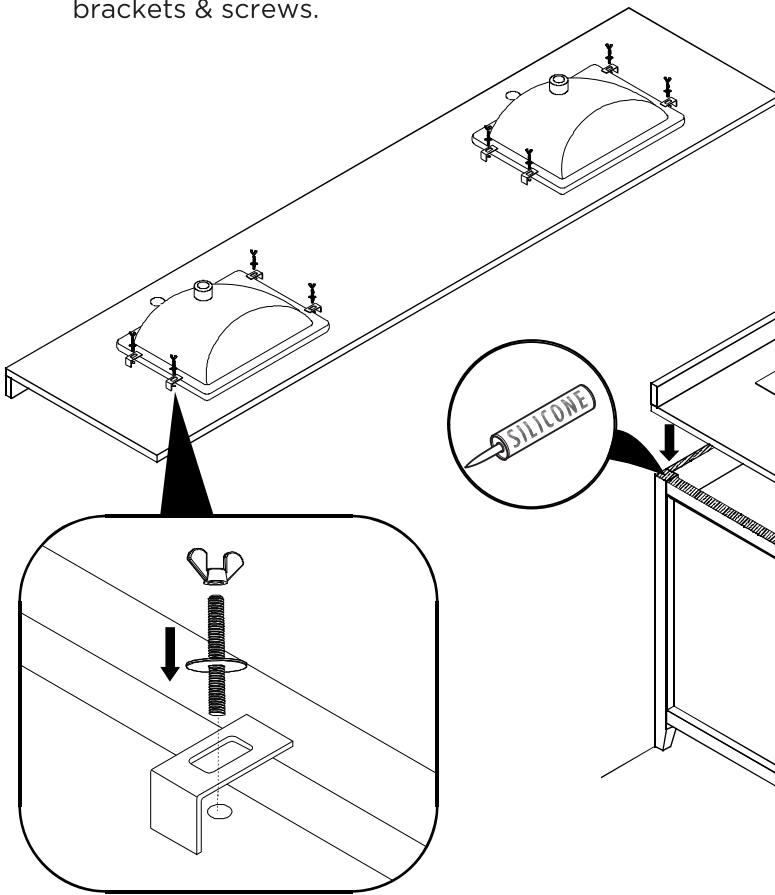
6

Repeat the master cabinet installation procedure.



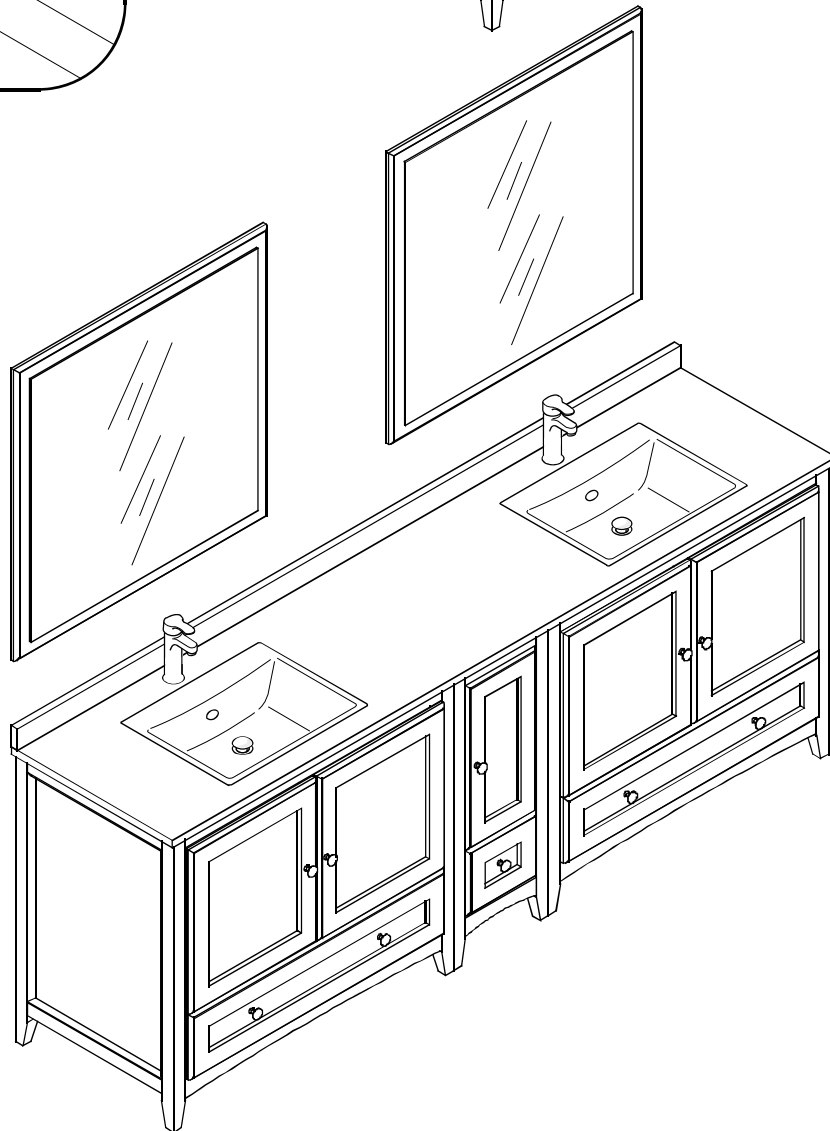
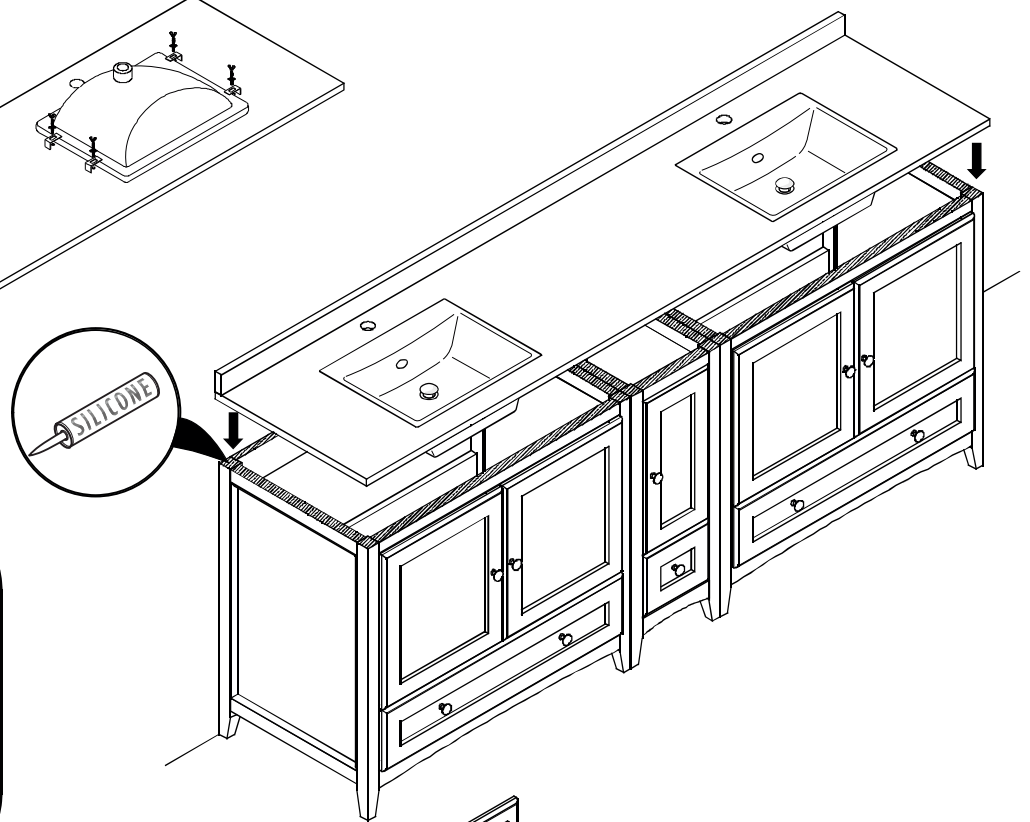
7

Flip the countertop upside down and attach the sink to it using a provided brackets & screws.



8

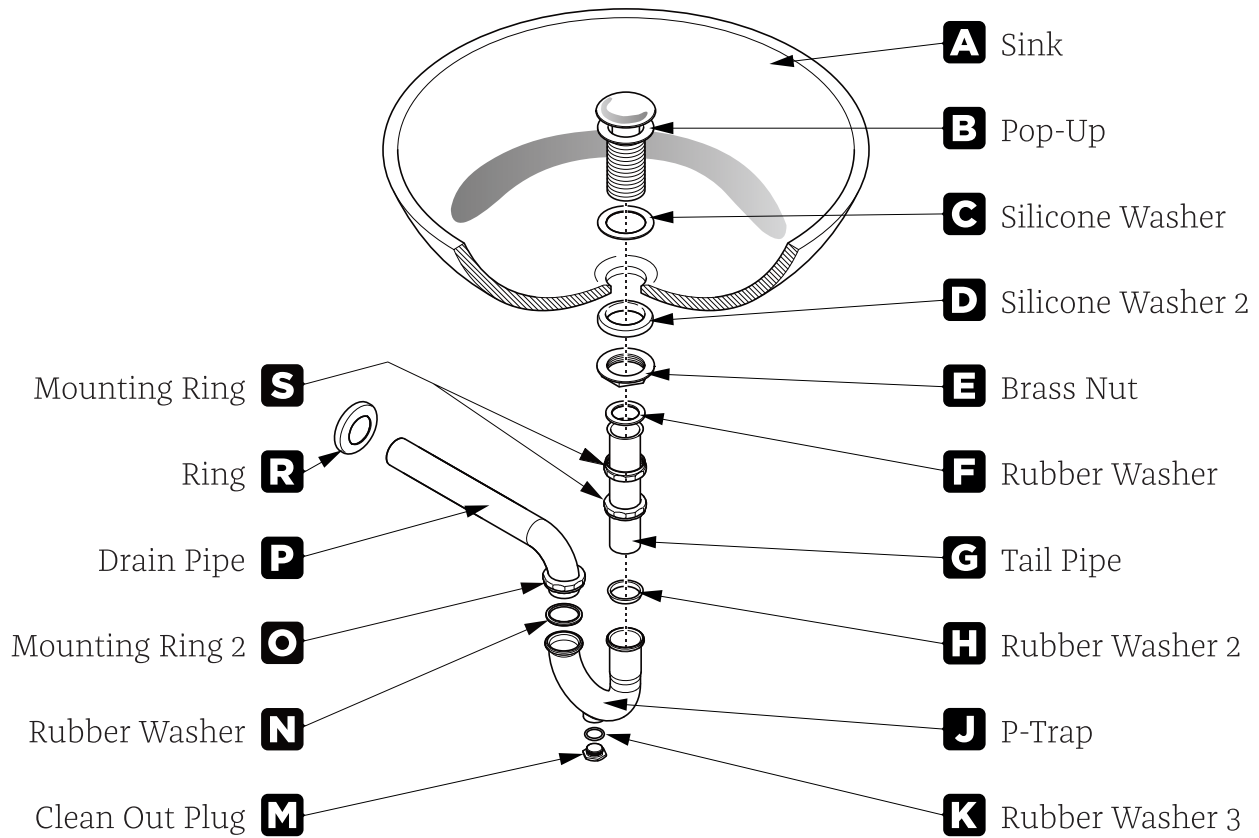
Apply silicone to the top of the cabinet and place the countertop with sink attached on it.



POP-UP & P-TRAP

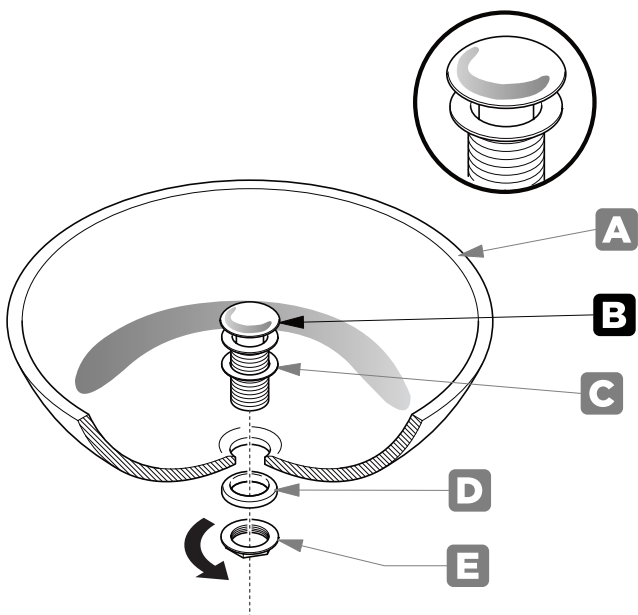
INSTALLATION INSTRUCTIONS

Your item may appear slightly different from the illustration.



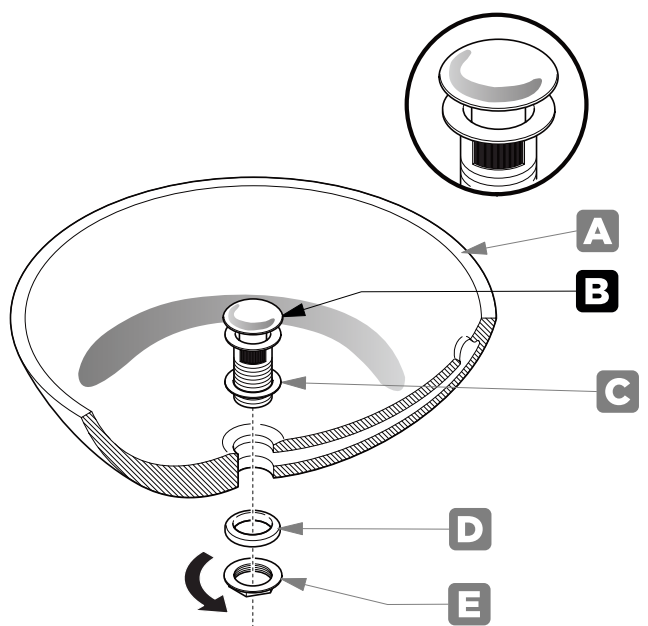
POP-UP INSTALLATION

FOR SINKS WITHOUT OVERFLOW



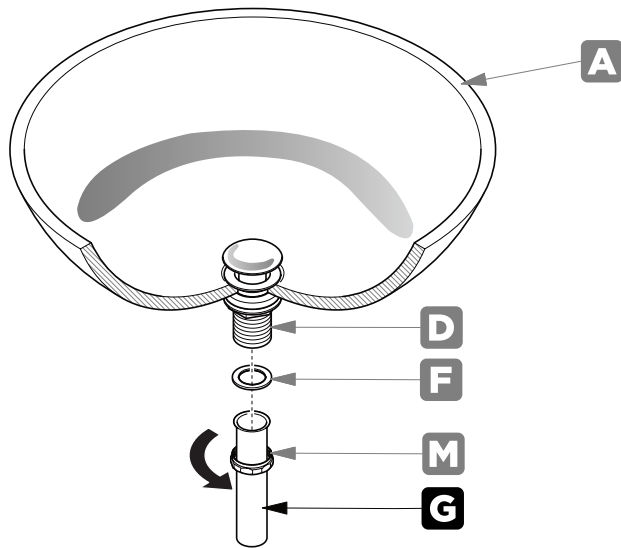
OR

FOR SINKS WITH OVERFLOW



P-TRAP INSTALLATION

1 Install tail pipe (G).



2 Install P-trap (J).

