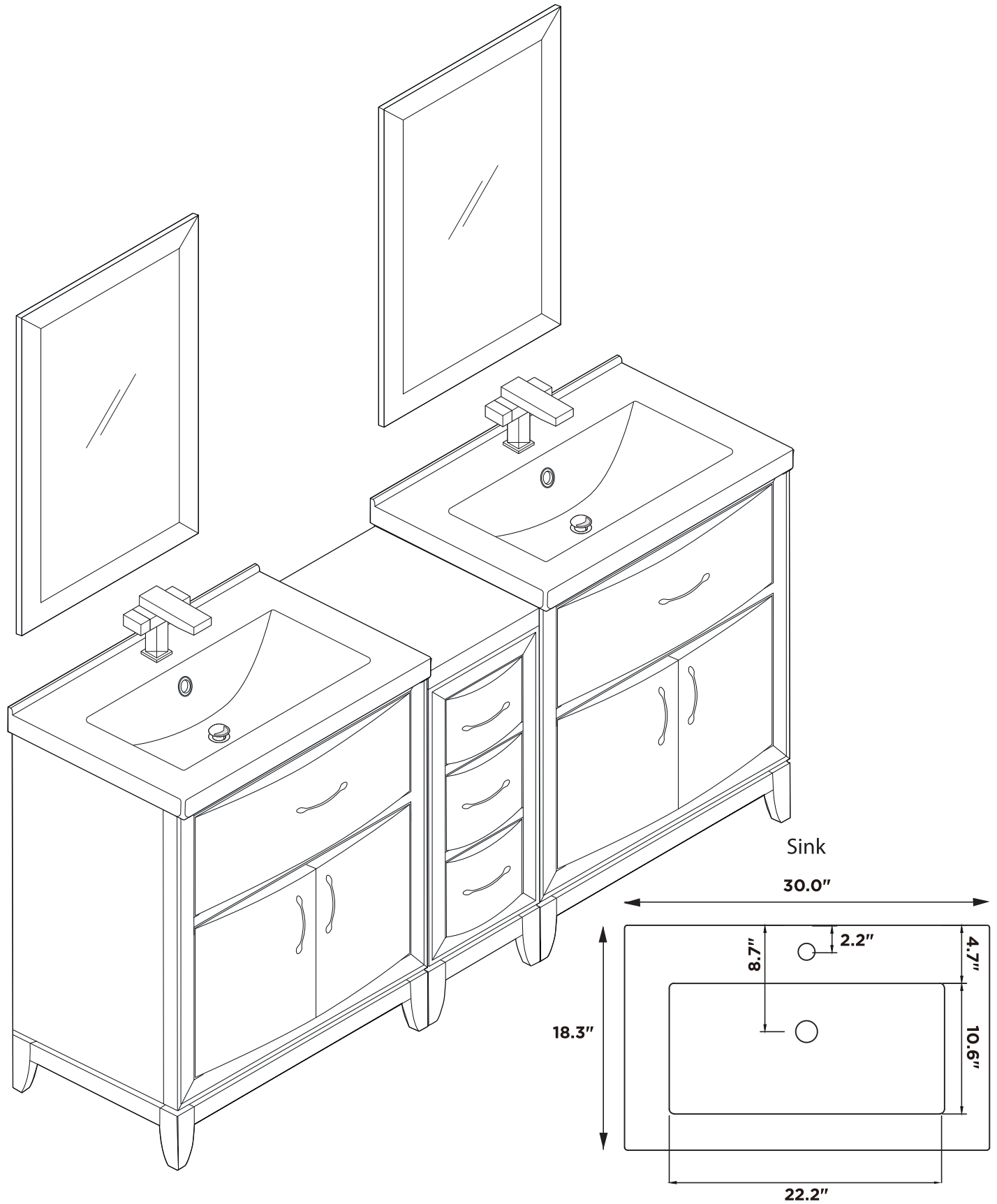




FVN21-301230
CAMBRIDGE
INSTALLATION GUIDE



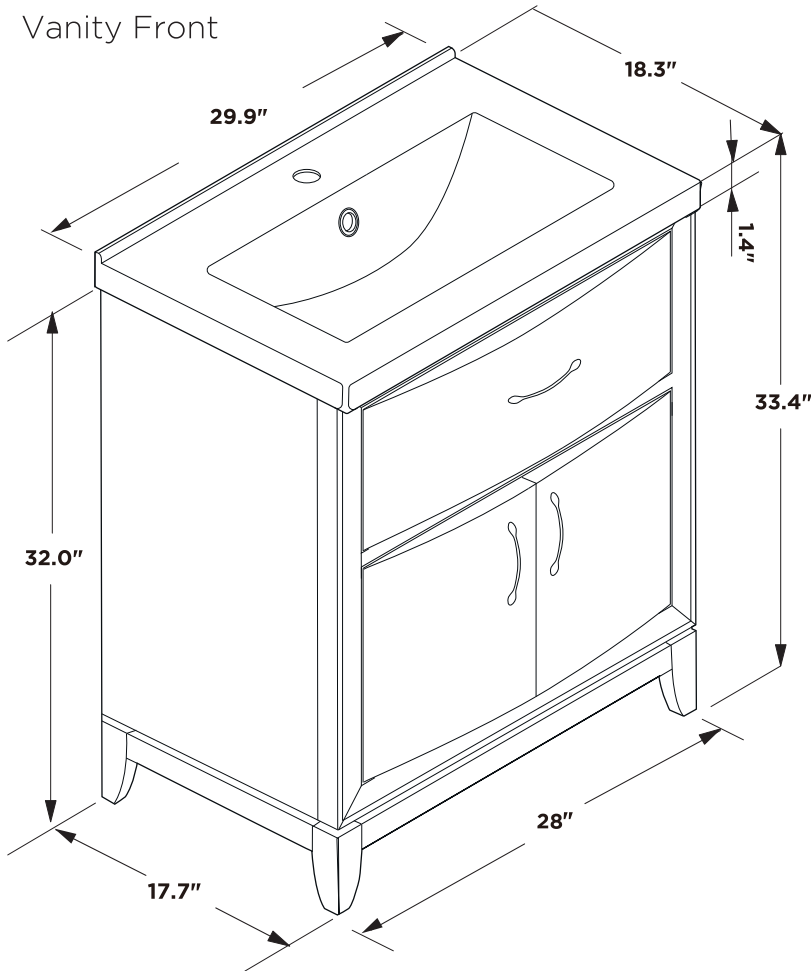
Note: All dimensions and specifications are approximate and subject to change without notice.



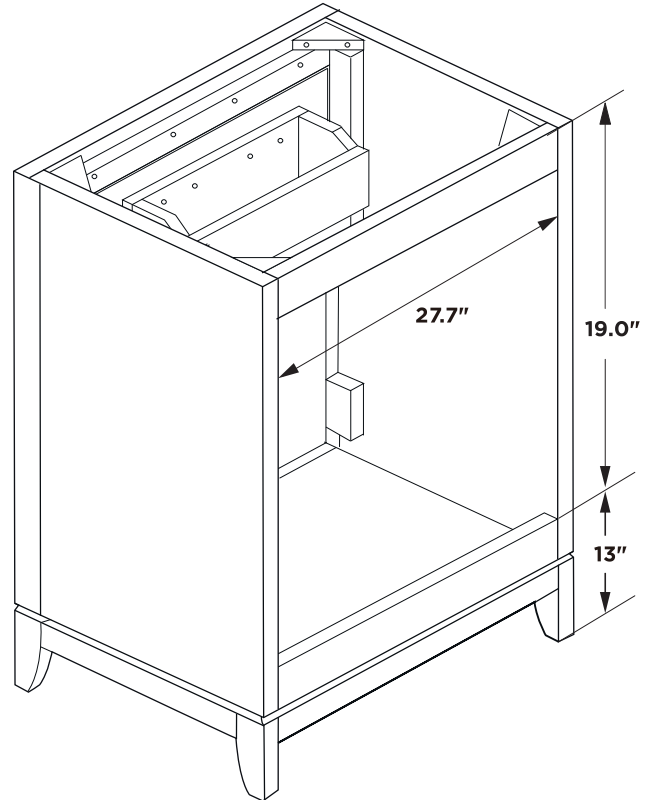
FVN21-301230
CAMBRIDGE
INSTALLATION GUIDE



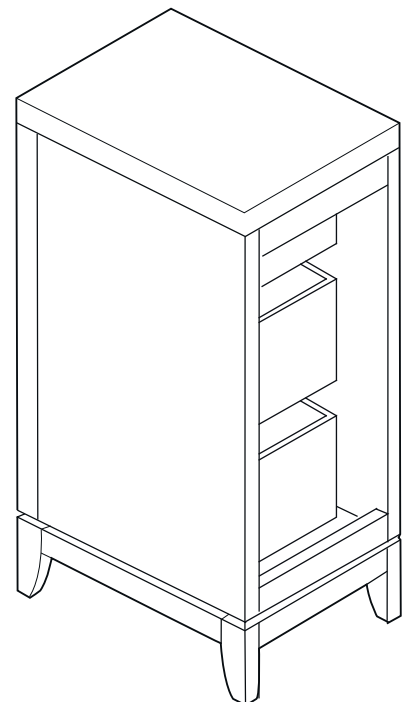
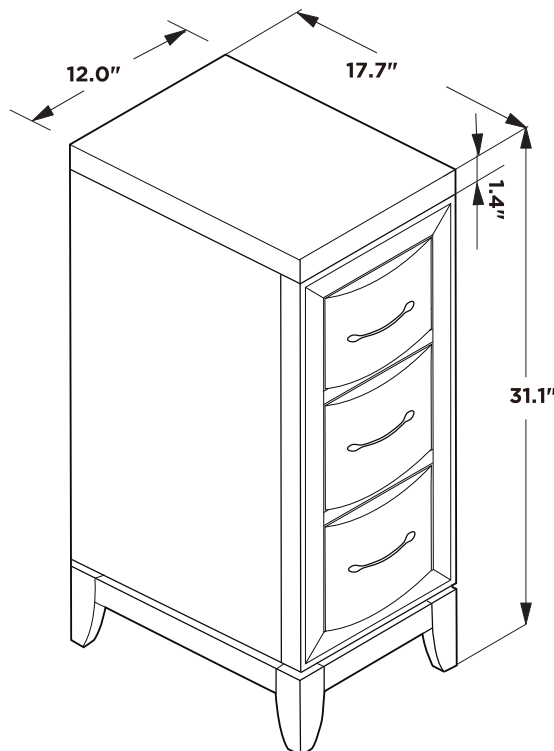
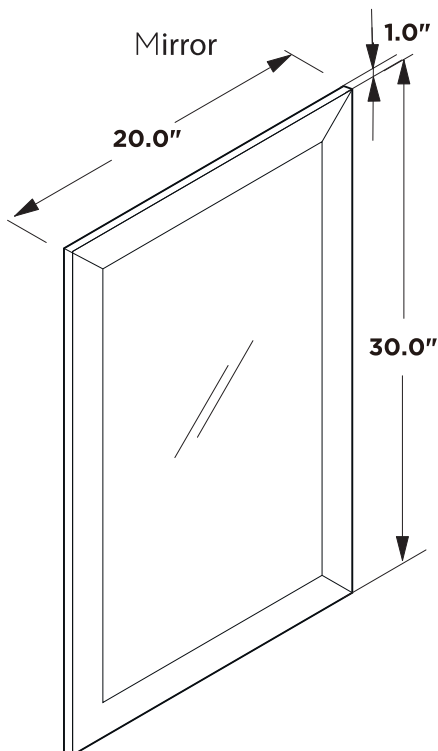
Vanity Front



Vanity Back



Side Cabinet Back

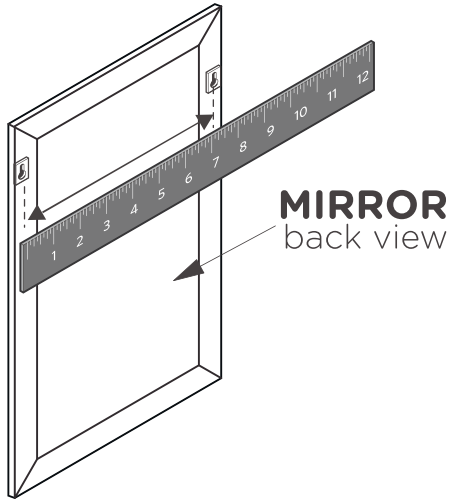


MIRROR INSTALLATION INSTRUCTION

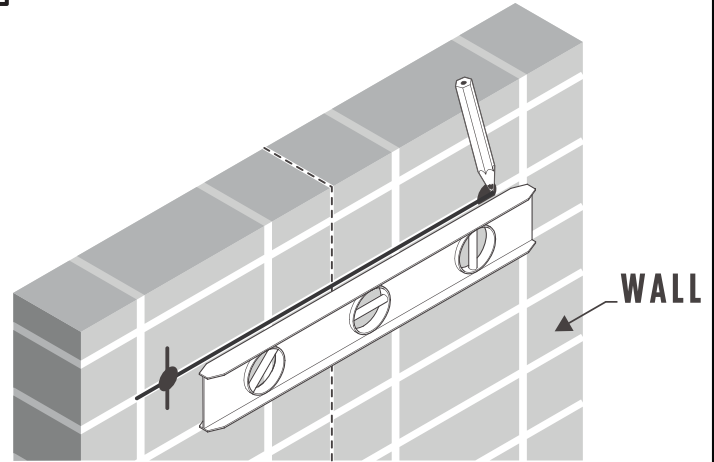
TOOLS FOR ASSEMBLY



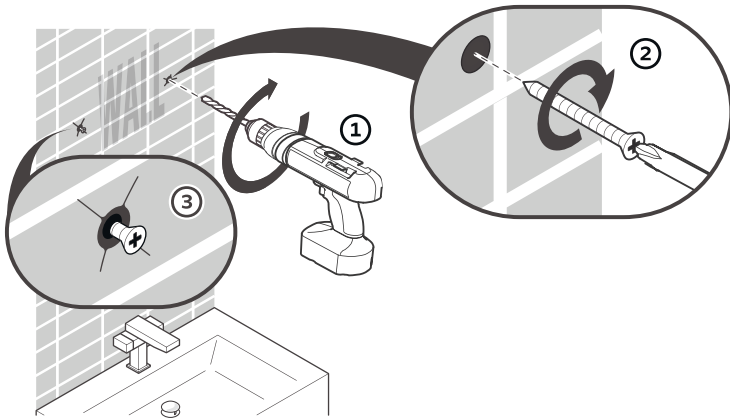
- 1** Measure the distance between the brackets on the back of the mirror



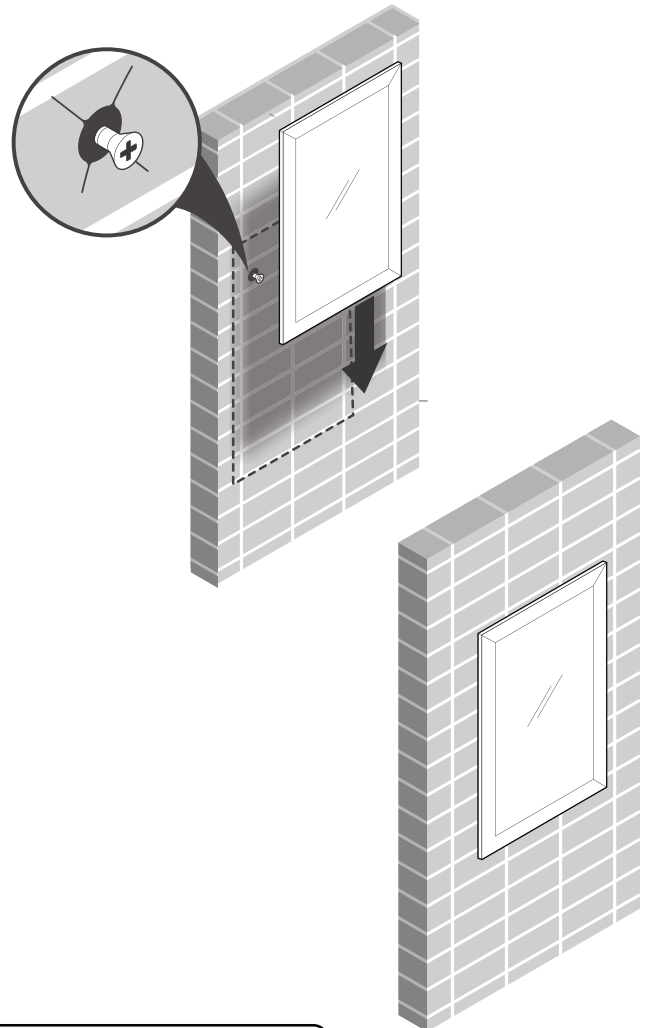
- 2** Mark the measured distance on the wall using a level



- 3** Once position is marked, drill 2 holes and insert anchors if stud is not available



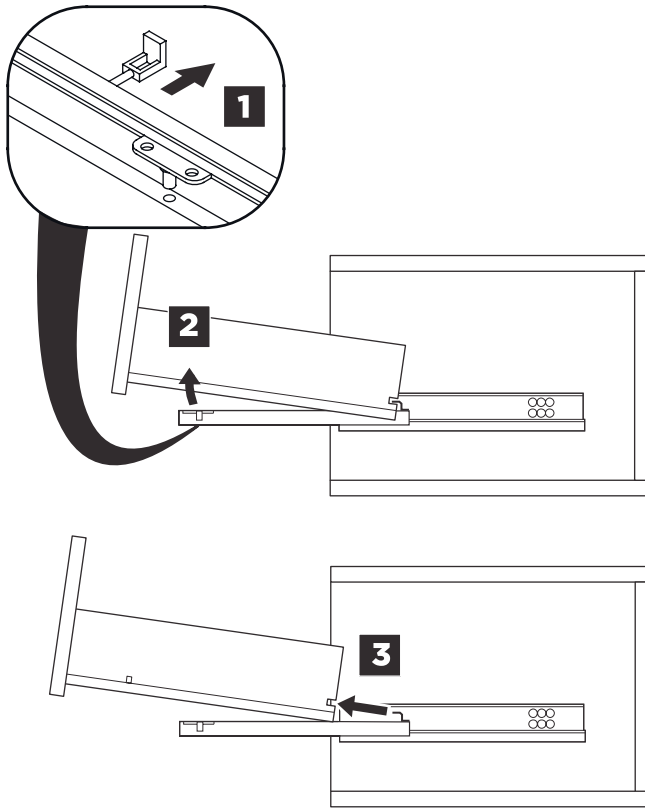
- 4** Hang mirror on the wall



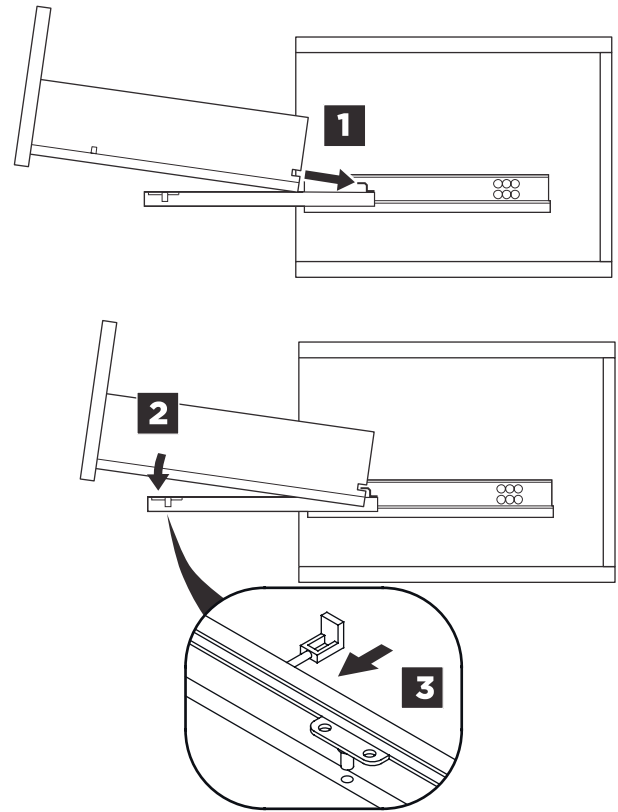
IMPORTANT:

CONSULT AN EXPERT FOR THE PROPER SCREWS/BOLTS TO USE WHEN ATTACHING TO VARIOUS WALL CONSTRUCTIONS. SCREWS PROVIDED **DO NOT ATTACH** TO ALL WALL CONSTRUCTION TYPES.

DRAWER REMOVAL

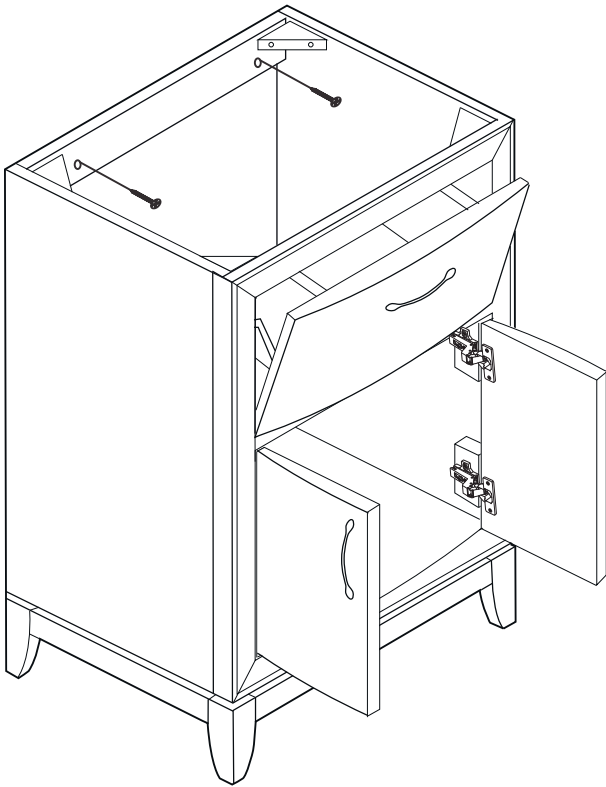


DRAWER INSTALLATION

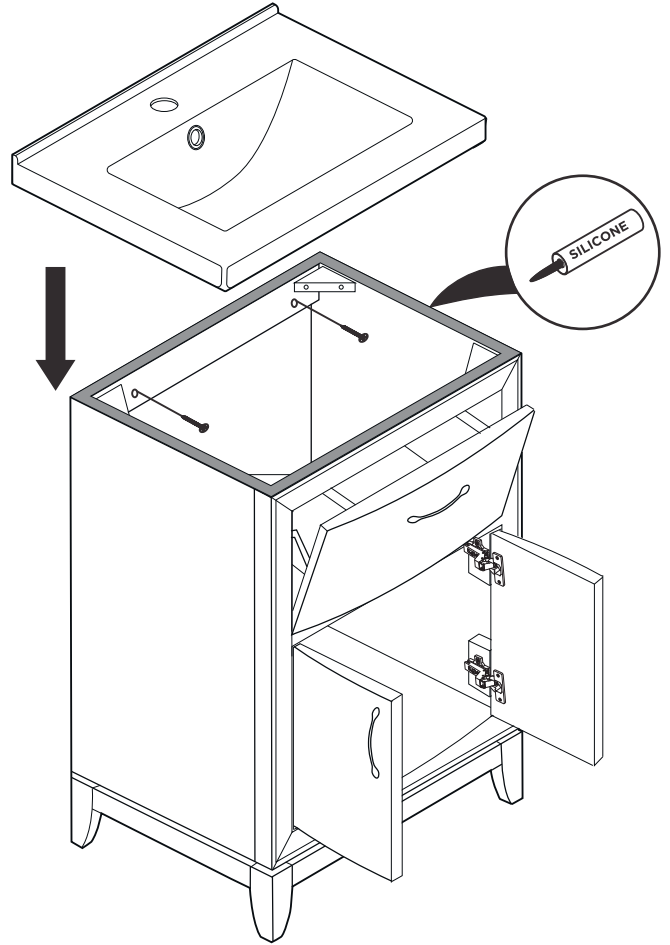


INSTALLATION INSTRUCTIONS

1 Secure cabinet to the wall

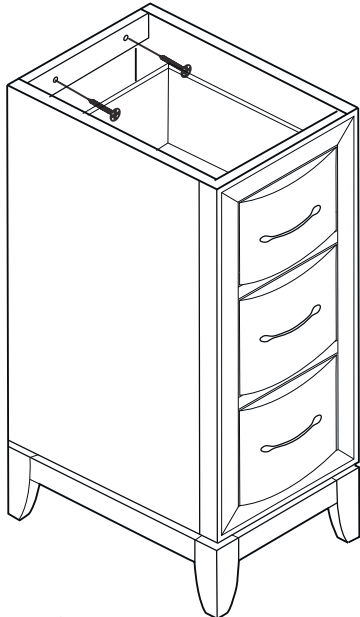


2 Apply a bead of silicone on the top of the cabinet and place the sink on top



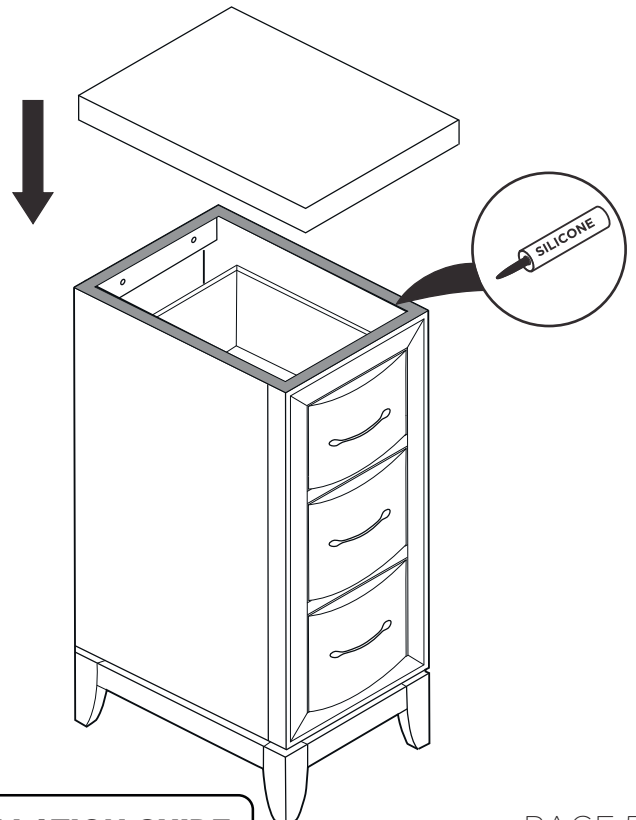
3 Remove side cabinet drawer

4 Secure cabinet to the wall



IMPORTANT:
Consult an expert for the proper screws/bolts to use when attaching to various wall constructions. Screws provided do not attach to all wall construction types.

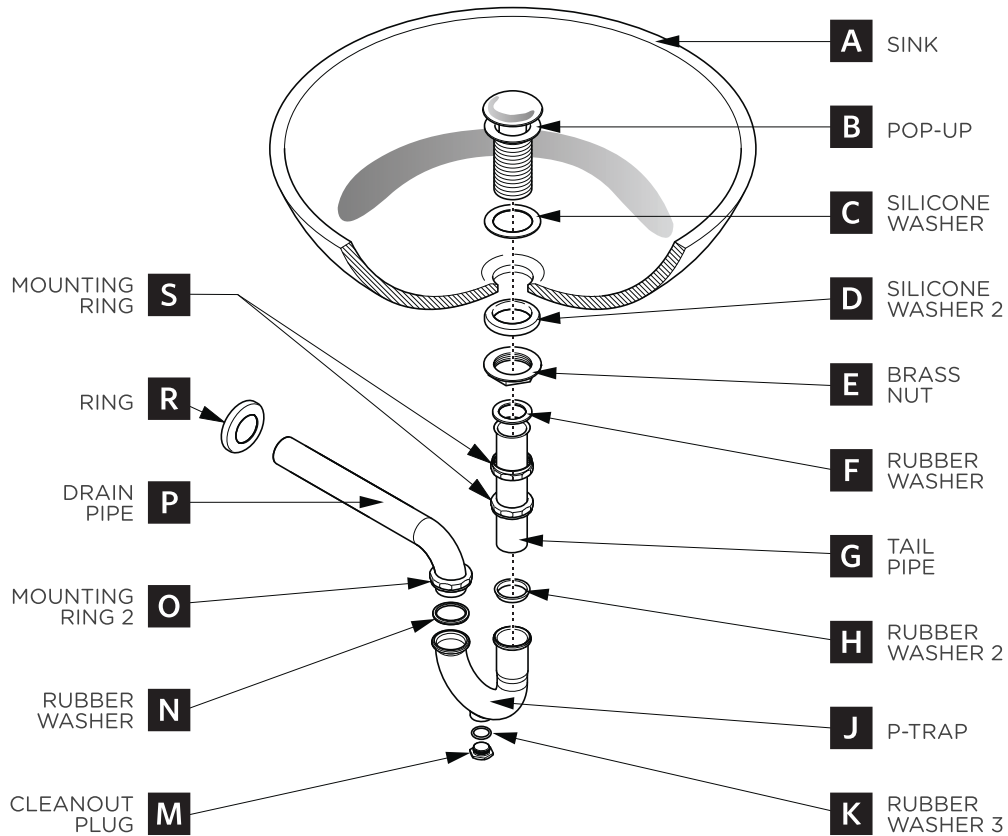
5 Apply a bead of silicone on top of the cabinet and place the counter-top on top



P-TRAP & POP-UP

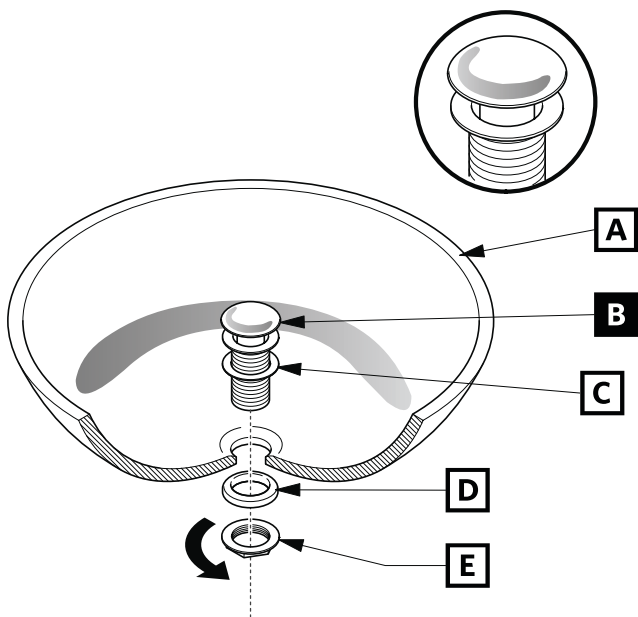
INSTALLATION INSTRUCTIONS

Your item may appear slightly different from the illustration.



POP-UP INSTALLATION

FOR SINKS WITHOUT OVERFLOW



OR

FOR SINKS WITH OVERFLOW

