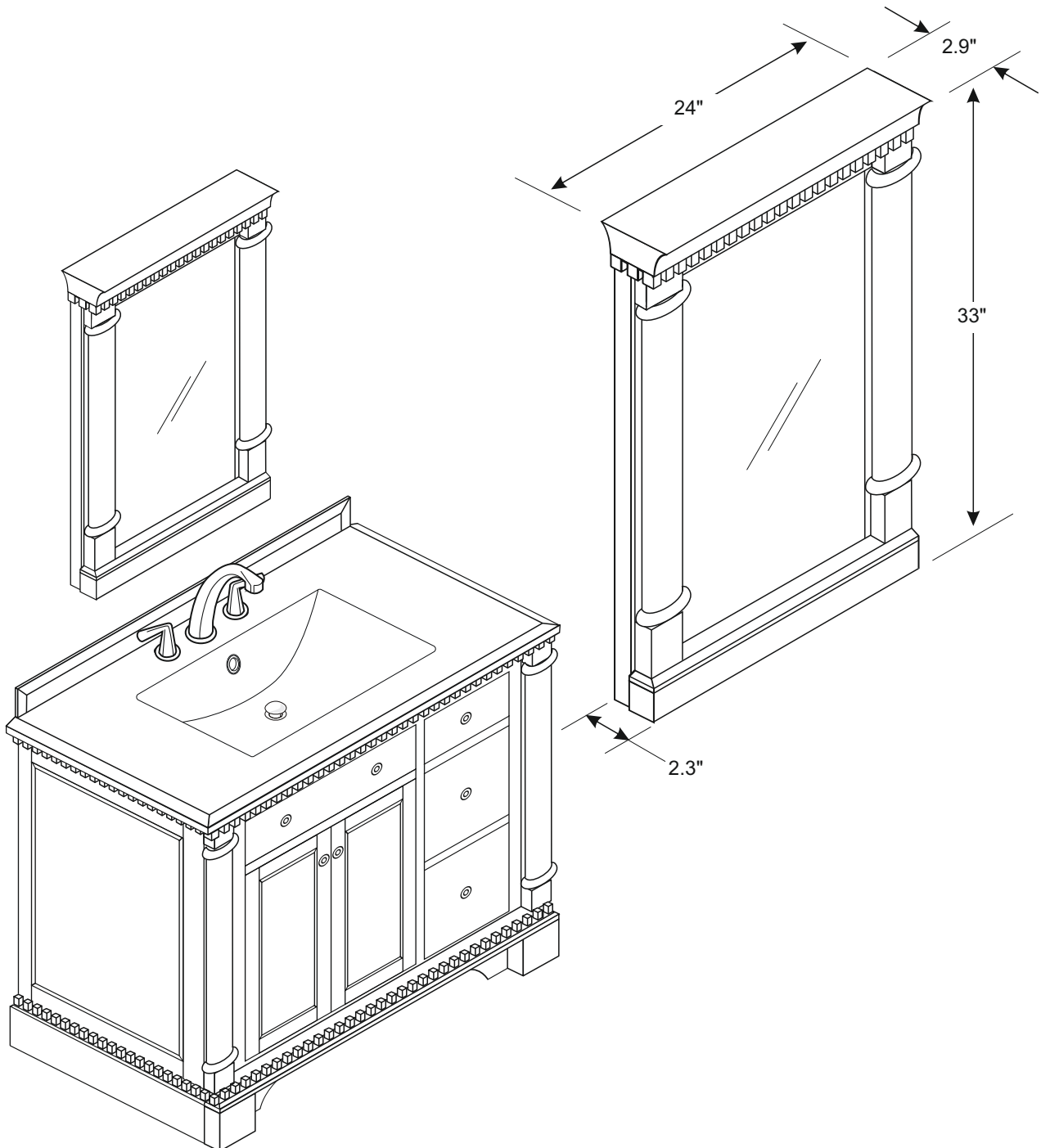
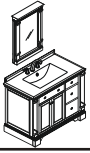


FVN2236
KINGSTON
INSTALLATION GUIDE



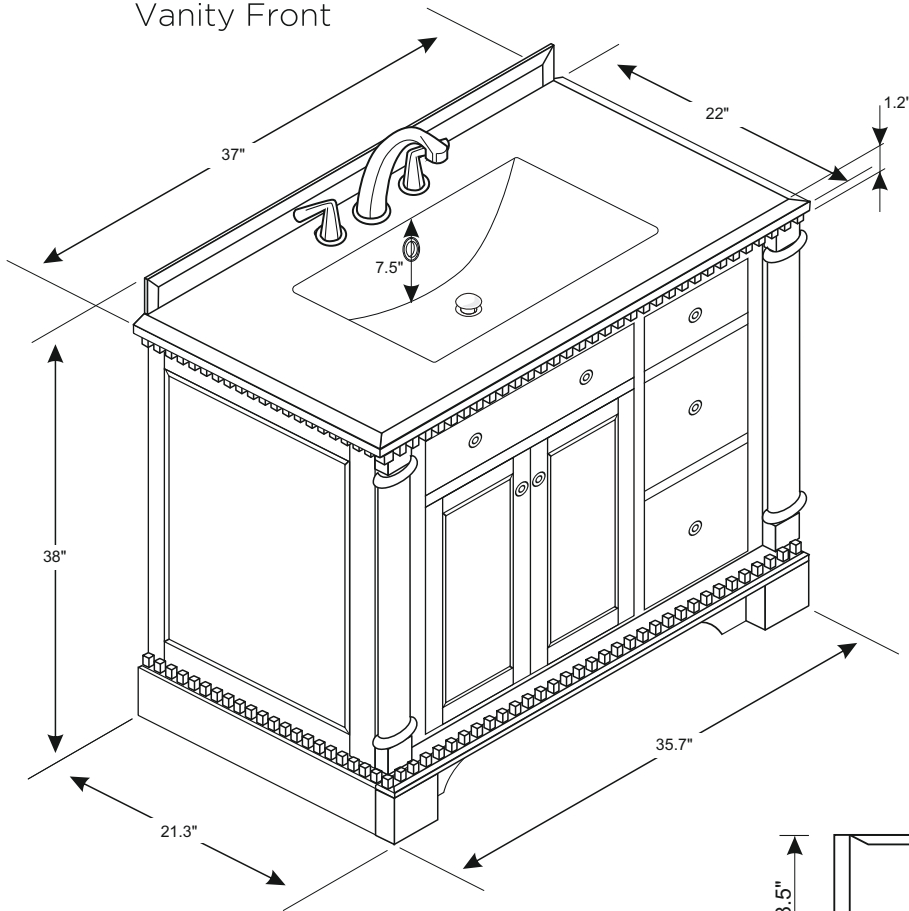
Note: All dimensions and specifications are approximate and subject to change without notice.



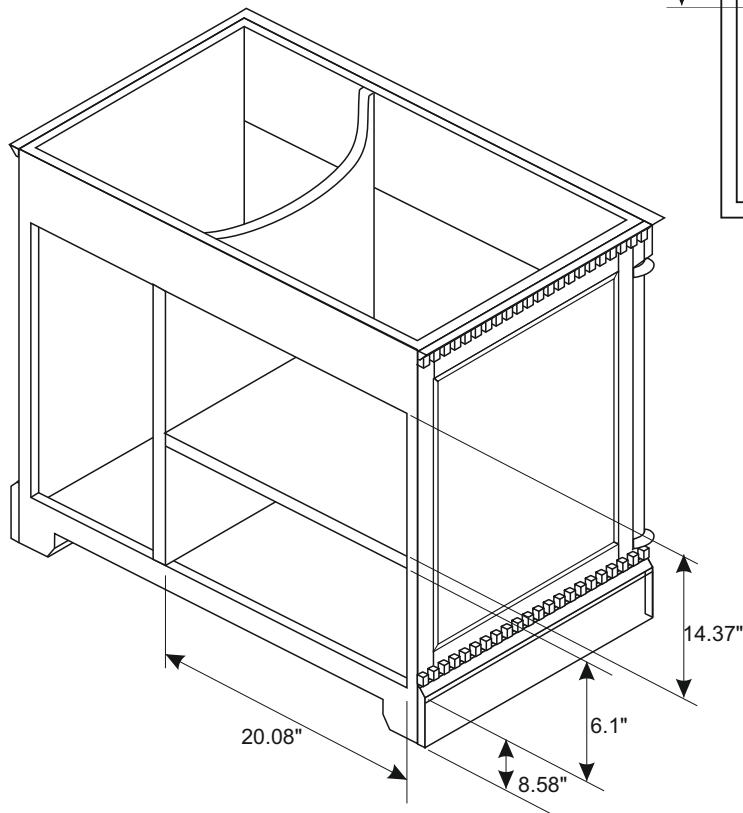
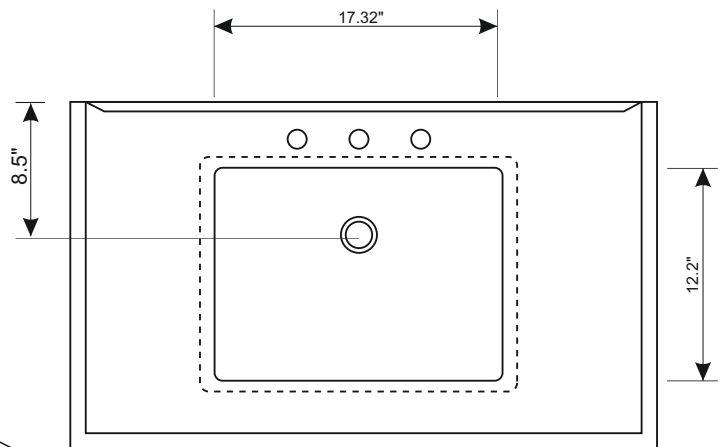
FVN2236 KINGSTON INSTALLATION GUIDE



Vanity Front

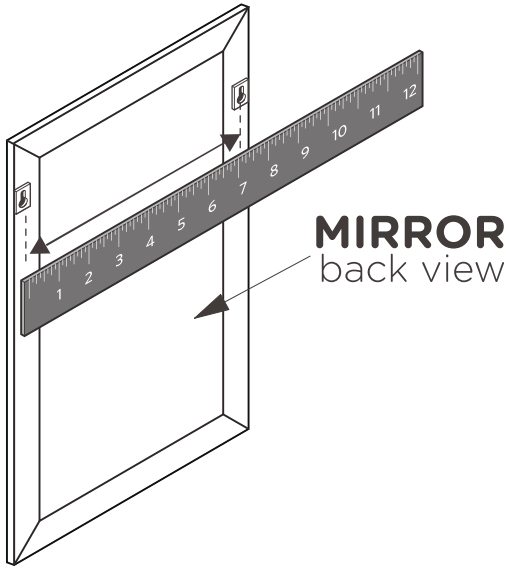


Vanity Back

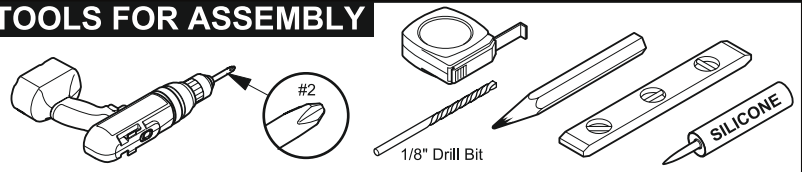


MIRROR INSTALLATION INSTRUCTIONS

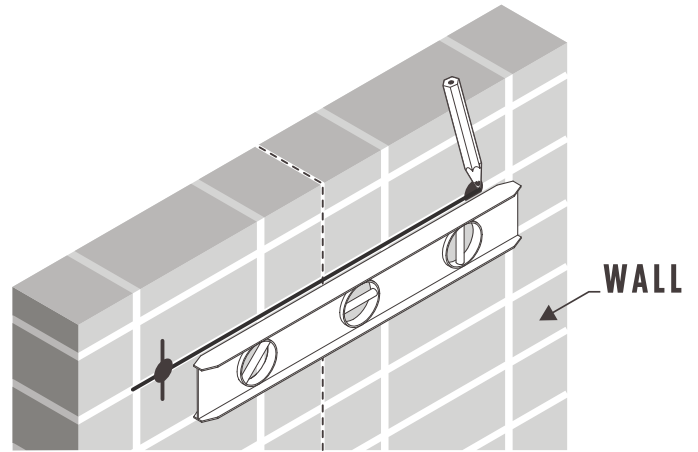
- 1 Flip the mirror over and measure the distance between the holes.



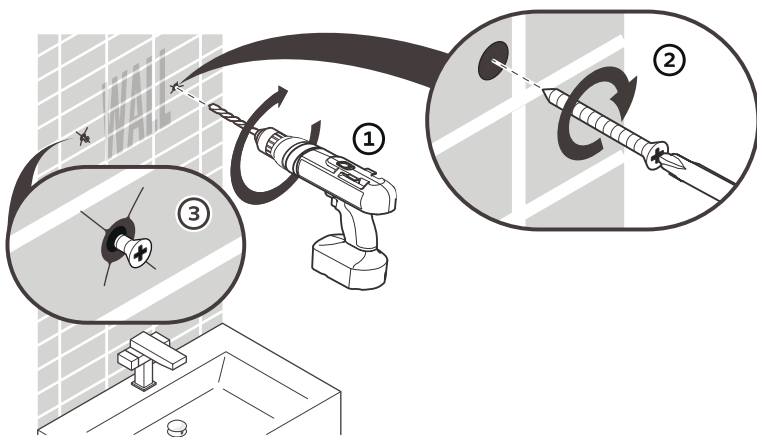
TOOLS FOR ASSEMBLY



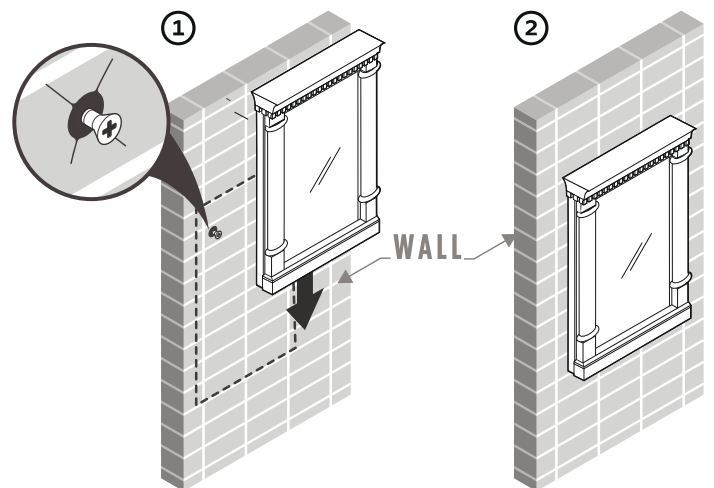
- 2 Mark the measured distance on the wall using a level.



- 3 Once positions is marked drill 2 holes and insert anchors if stud is not available.



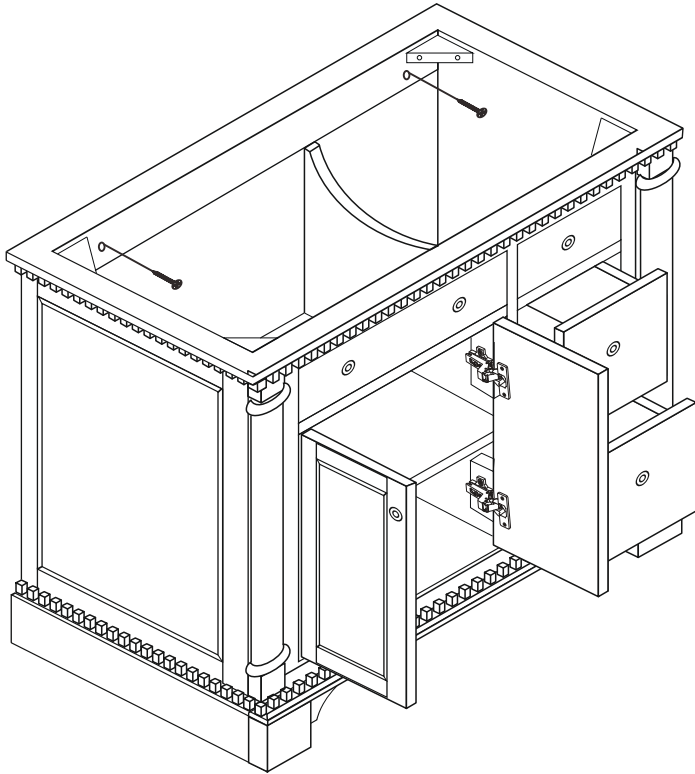
- 4 Hang mirror on the wall.



! IMPORTANT:

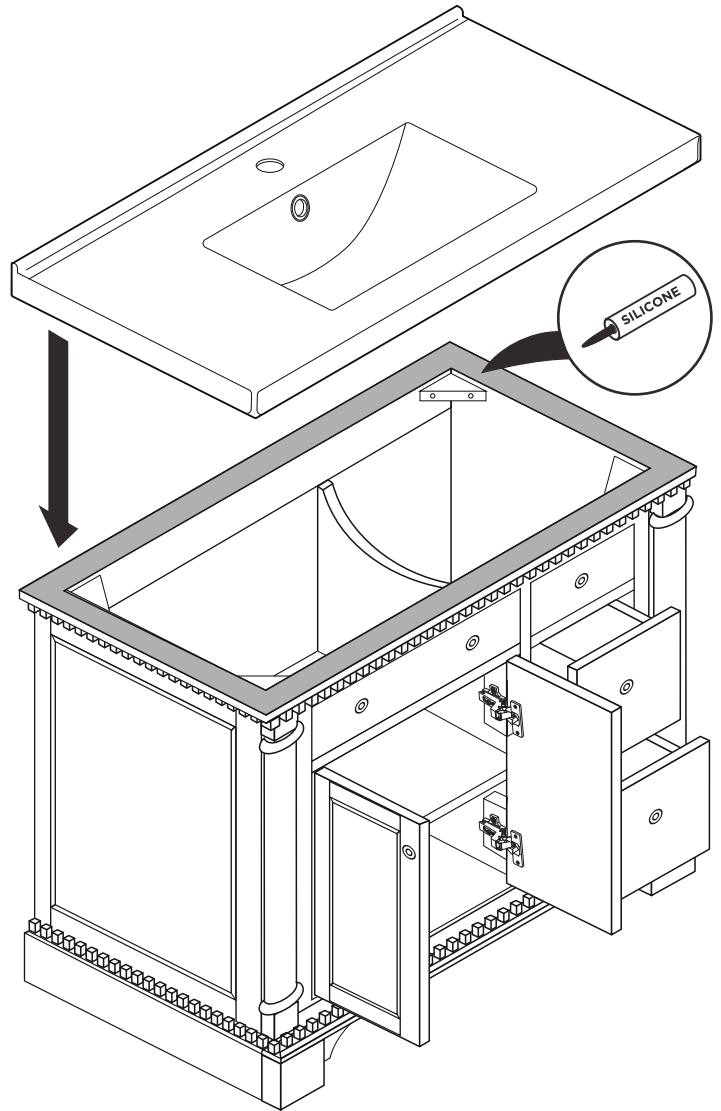
CONSULT AN EXPERT FOR THE PROPER SCREWS/BOLTS TO USE WHEN ATTACHING TO VARIOUS WALL CONSTRUCTIONS. SCREWS PROVIDED **DO NOT ATTACH** TO ALL WALL CONSTRUCTION TYPES.

1 Remove side cabinet drawer.

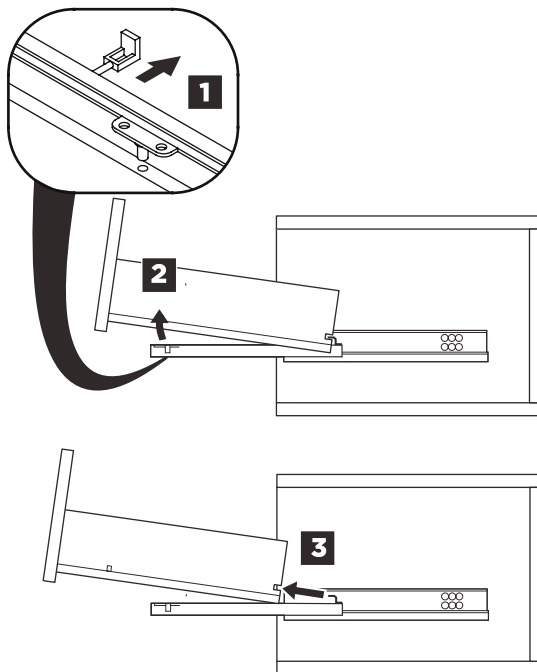


IMPORTANT: Consult an expert for the proper screws/bolts to use when attaching to various wall constructions. Screws provided do not attach to all wall construction types.

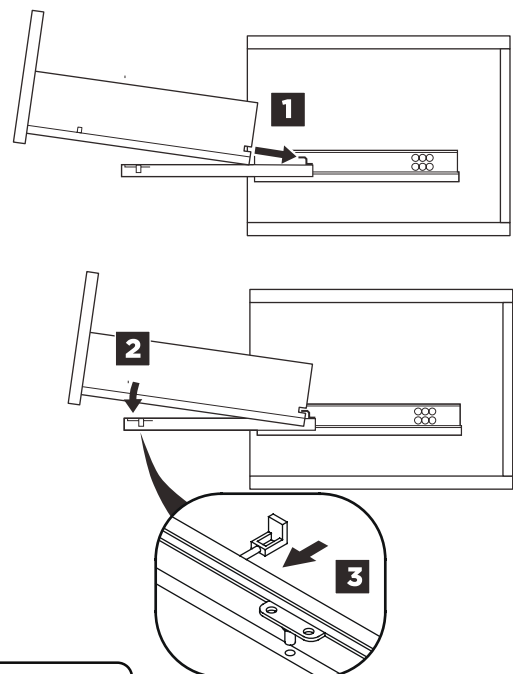
2 Apply a bead of silicon on the top of the cabinet and place the sink on top.



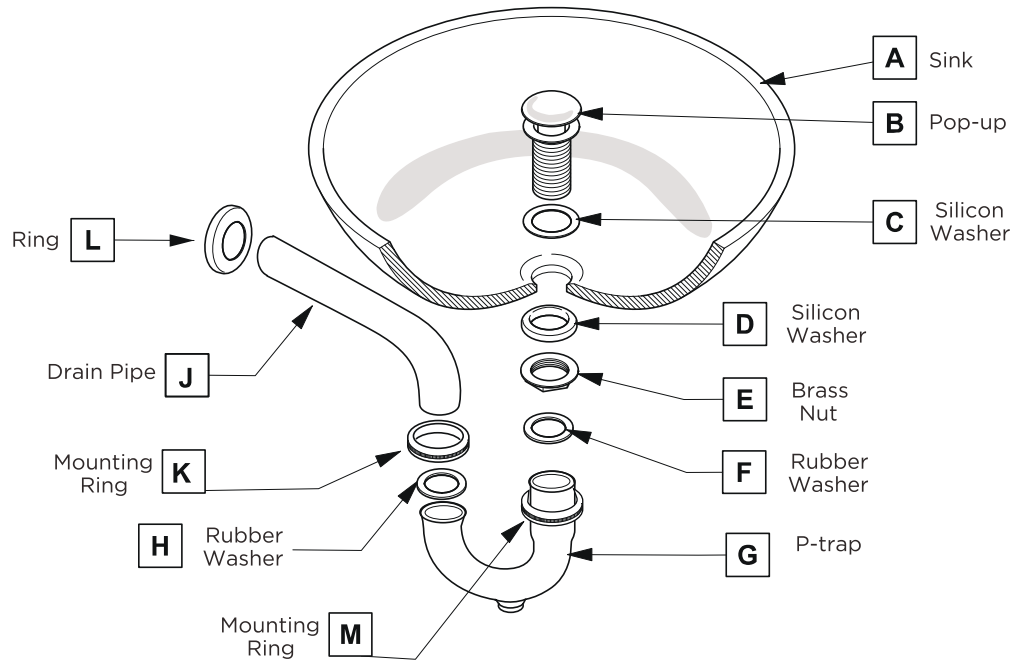
REMOVAL



INSTALLATION

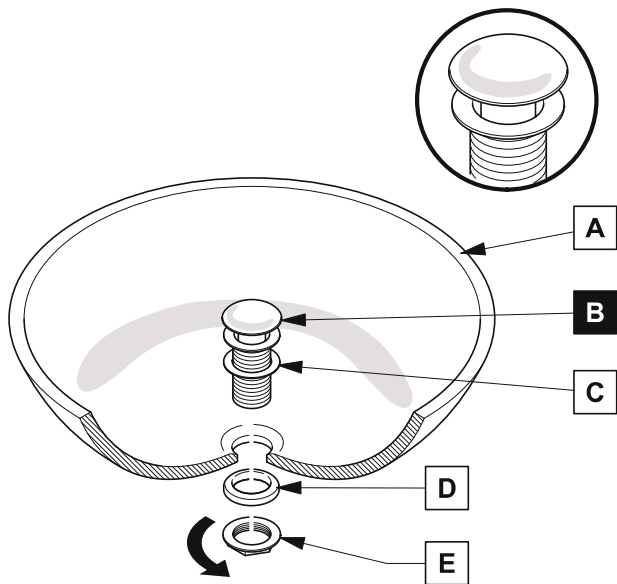


P-TRAP AND POP-UP INSTALLATION INSTRUCTIONS



POP-UP INSTALLATION

FOR SINKS WITHOUT OVERFLOW



OR

FOR SINKS WITH OVERFLOW

