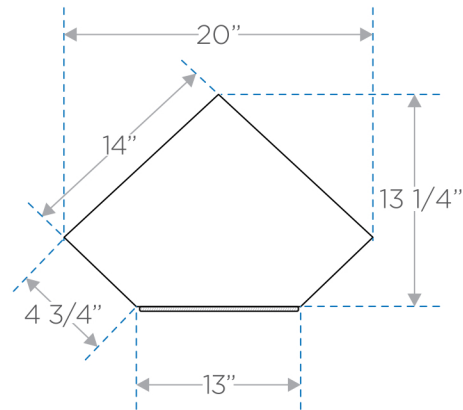
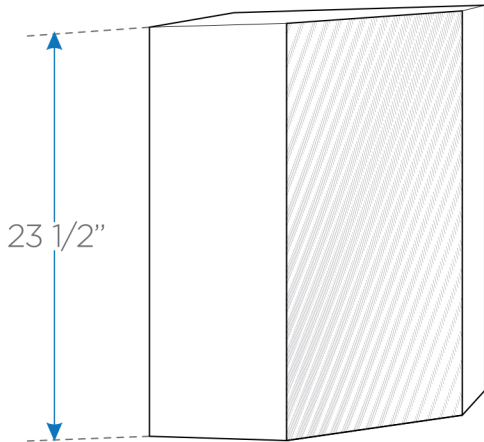


CODA

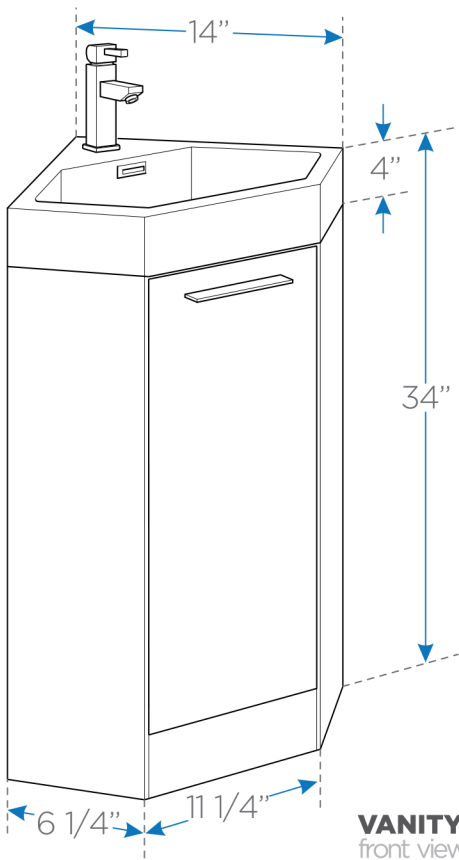
FVN5082

14" Modern Corner Bathroom Vanity w/ Medicine Cabinet

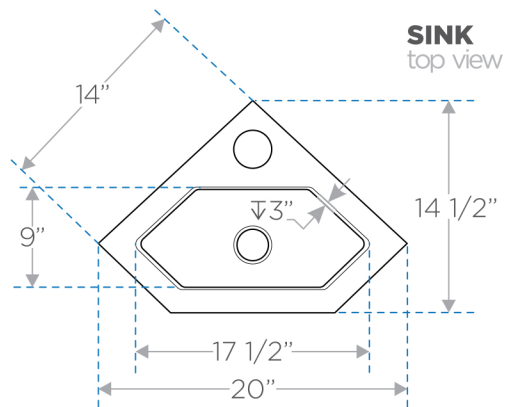
FMC5082
(optional medicine cabinet)



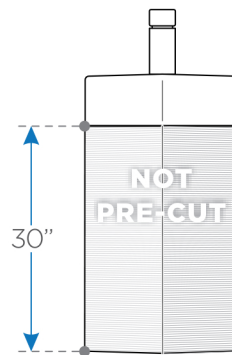
FMC5082
medicine cabinet
top view



VANITY
front view



SINK
top view



VANITY
back view

BOX DIMENSIONS: L34" W16" H26" G.W.62 5/8LB

(* without medicine cabinet)

