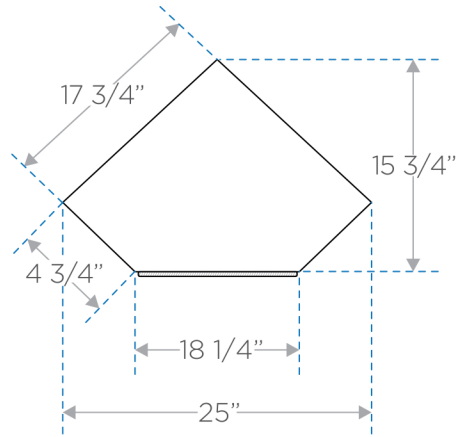
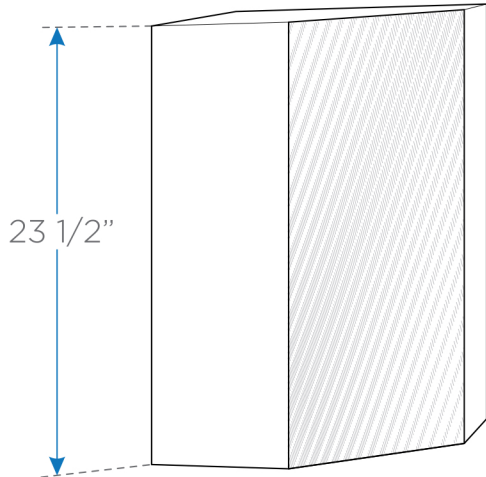


CODA

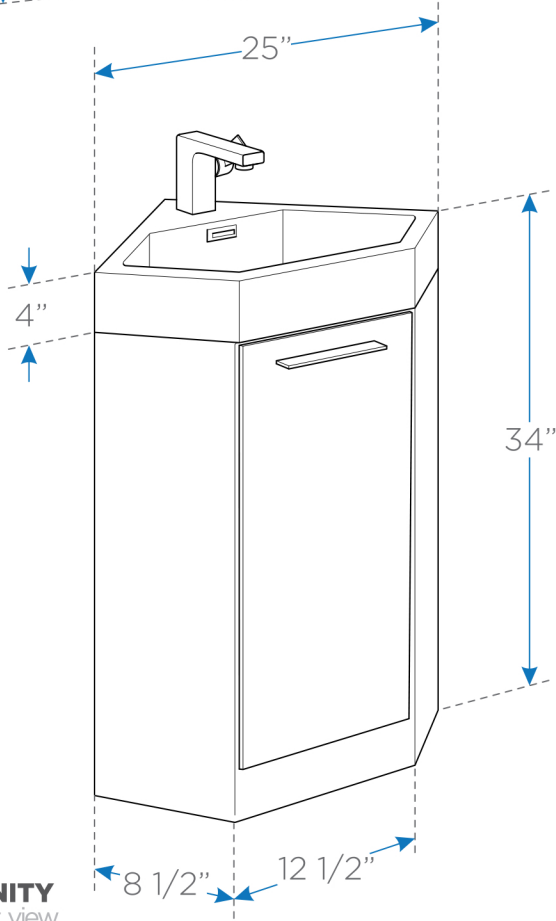
FVN5084

18" Modern Corner Bathroom Vanity w/ Medicine Cabinet

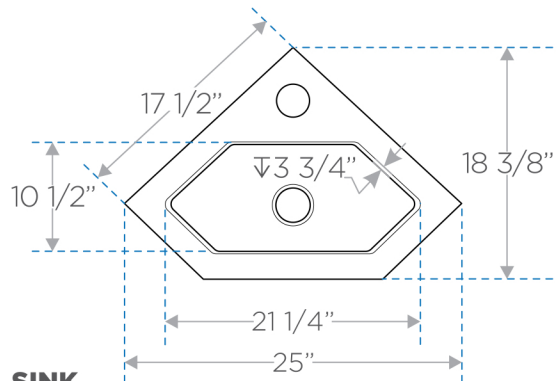
FMC5084
(optional medicine cabinet)



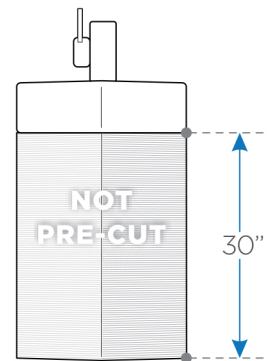
FMC5084
medicine cabinet
top view



VANITY
front view



SINK
top view



VANITY
back view

BOX DIMENSIONS: L39" W20" H40" G.W.87LB

(* without medicine cabinet)

