



Stella  
COLLECTION

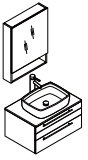
# LUCERA

## FVN6130-VSL

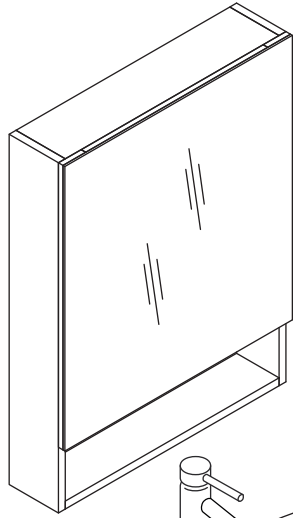
### INSTALLATION GUIDE

### CONTENTS:

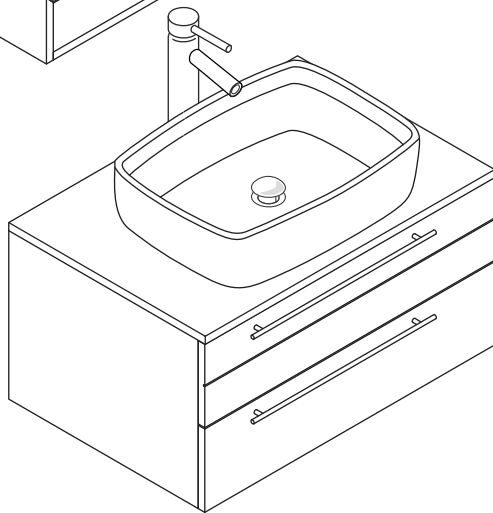
Medicine Cabinet.....	FMC6124.....	PAGE 2
Cabinet.....	FCB6130-VSL.....	PAGE 3
Sink.....	FVS6119WH.....	PAGE 4
Counter Top.....	FCT6130WH-VSL.....	PAGE 4



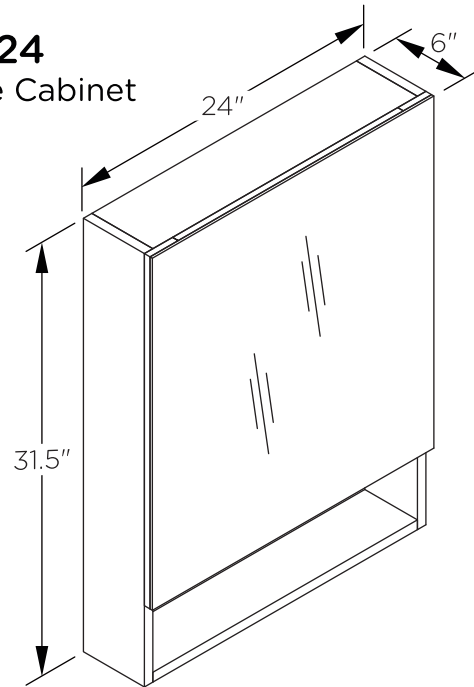
# FVN6130-VSL LUCERA INSTALLATION GUIDE



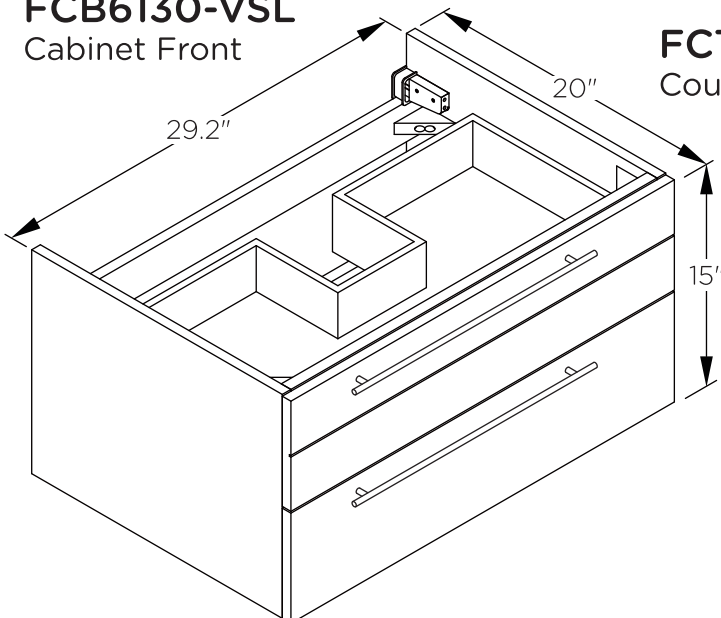
**FVN6130-VSL**  
Vanity Ensemble  
Front



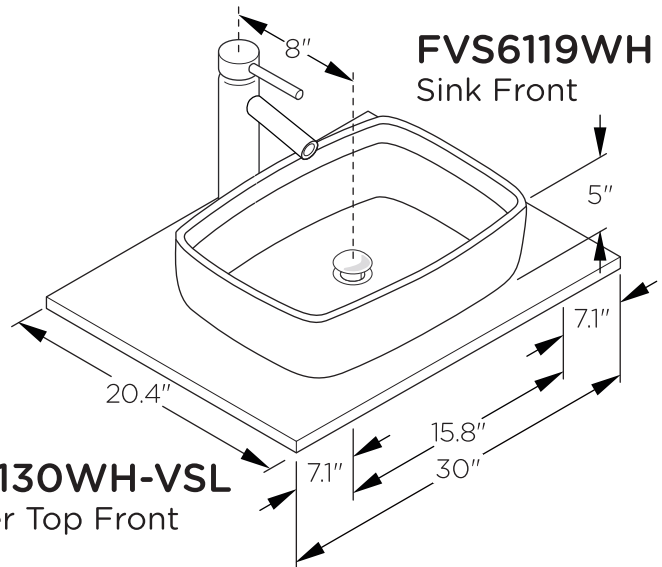
**FMC6124**  
Medicine Cabinet  
Front



**FCB6130-VSL**  
Cabinet Front

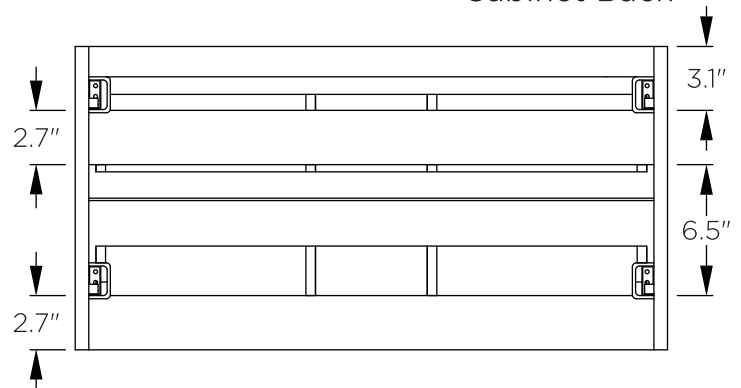


**FCT6130WH-VSL**  
Counter Top Front



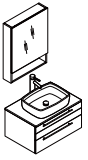
**FVS6119WH**  
Sink Front

**FCB6130-VSL**  
Cabinet Back



>All dimensions & specifications are approximate and subject to change without notice.

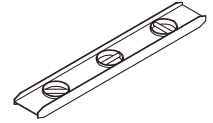
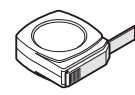
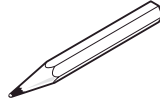
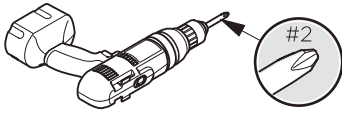




# FVN6130-VSL LUCERA INSTALLATION GUIDE

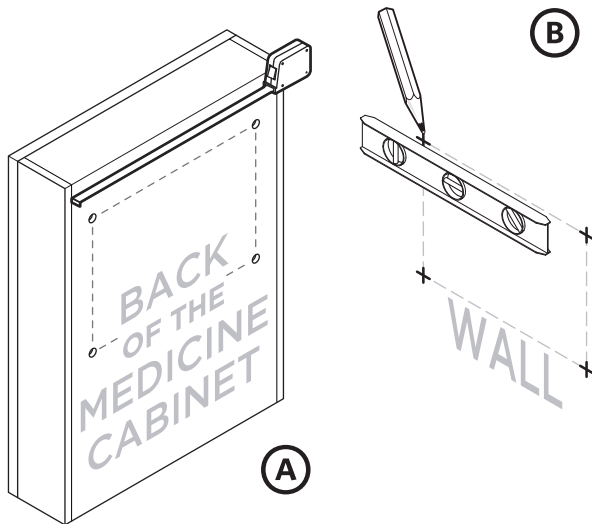


## TOOLS FOR ASSEMBLY

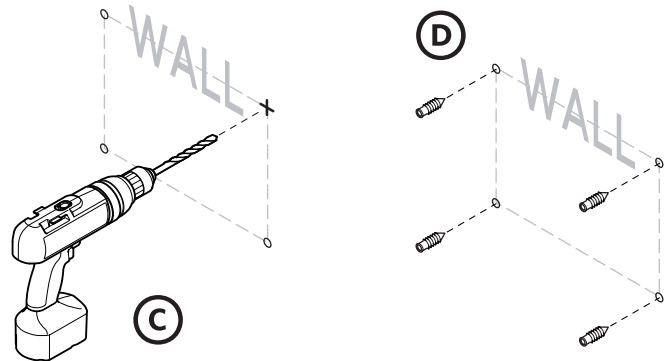


## MEDICINE CABINET INSTALLATION

- 1** Measure distance between the mounting holes on the back of a medicine cabinet **A** and mark the perimeter on the wall **B**.

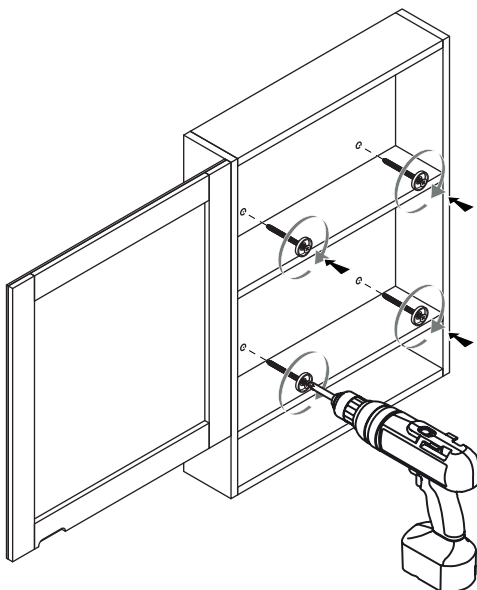


- 2** Once marked, drill the holes in the wall **C**.  
\*Insert the anchors in the holes **D**.

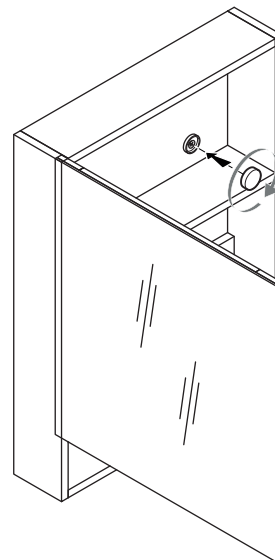


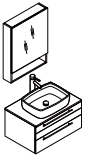
**\*IMPORTANT:** Consult an expert for the proper screws/bolts to use when attaching to various constructions. Screws provided do not attach to all wall construction types. Anchors are not required if brackets are installed in stud.

- 3** Connect medicine cabinet to the wall using drill.



- 4** Cover the screws with the screw caps.



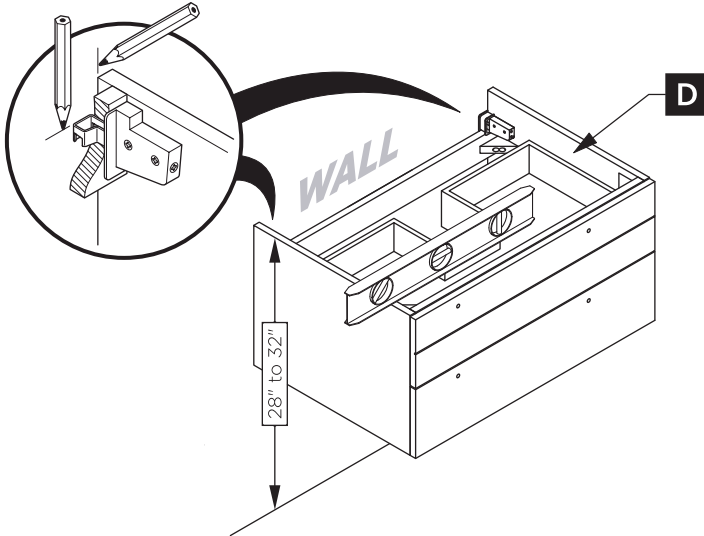


# FVN6130-VSL LUCERA INSTALLATION GUIDE

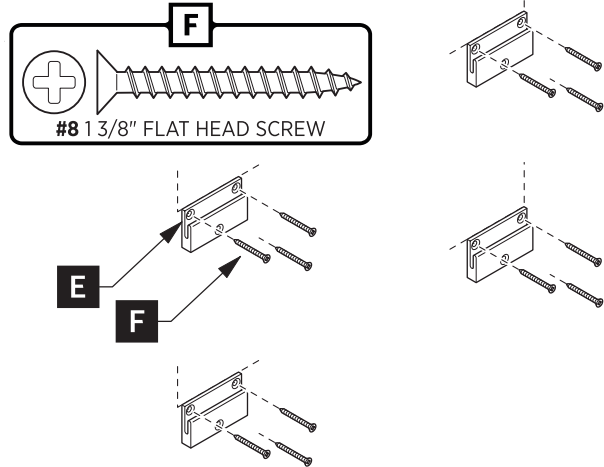


## CABINET INSTALLATION

- 1** Place cabinet (D) in the designated location and mark bracket position on the wall.

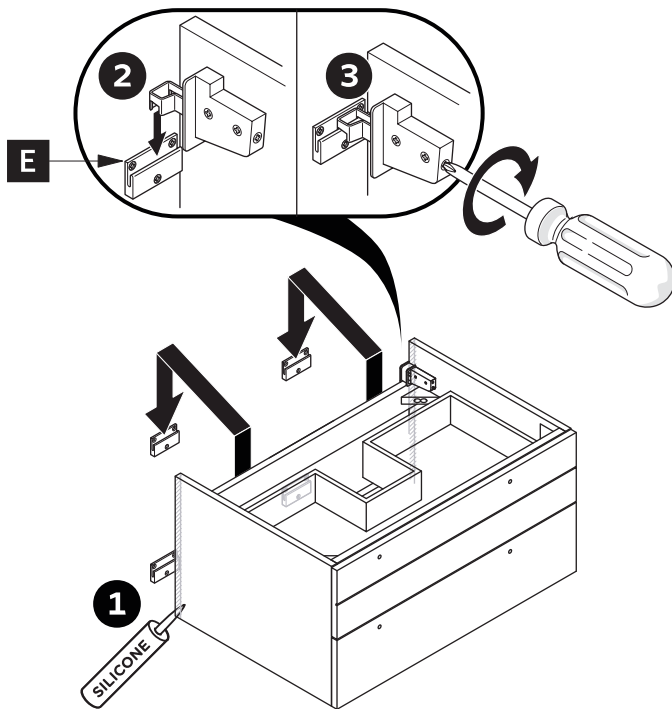


- 2** Attach the wall brackets (E) to the wall with the screws (F).

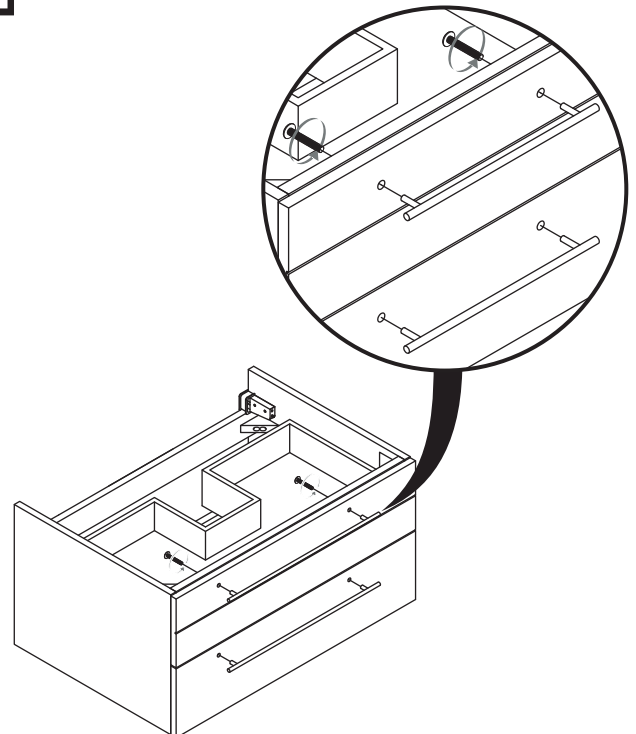


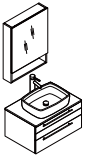
**IMPORTANT:** Consult an expert for the proper screws/bolts to use when attaching to various constructions. Screws provided do not attach to all wall construction types. Anchors are not required if brackets are installed in stud.

- 3** Apply a bid of silicone and hang the cabinet (D) on the brackets.



- 4** Attach the handles to the cabinet.



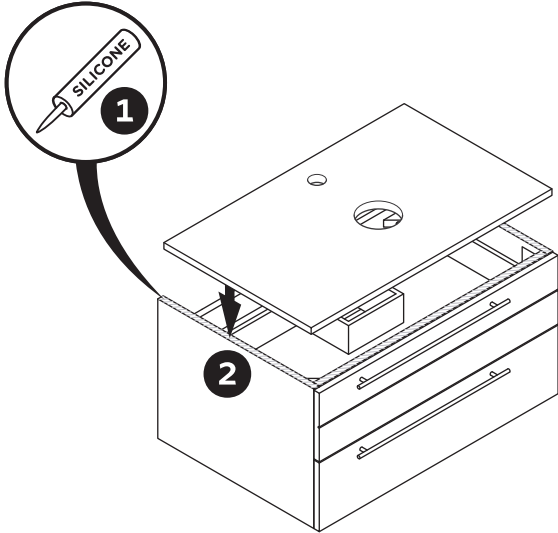


# FVN6130-VSL LUCERA INSTALLATION GUIDE

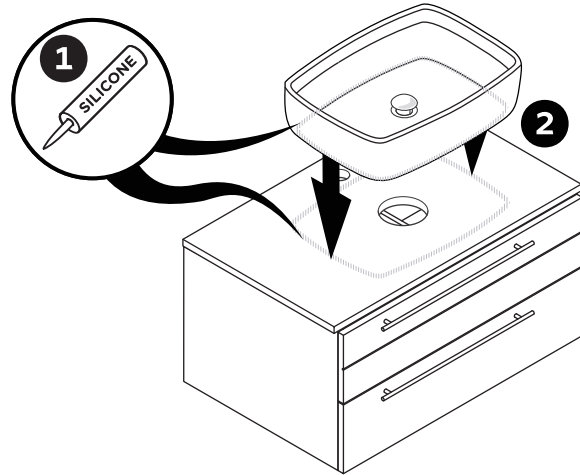


## CABINET INSTALLATION

**5** Apply a bead of silicone on top of the cabinet. Place counter top on the cabinet.

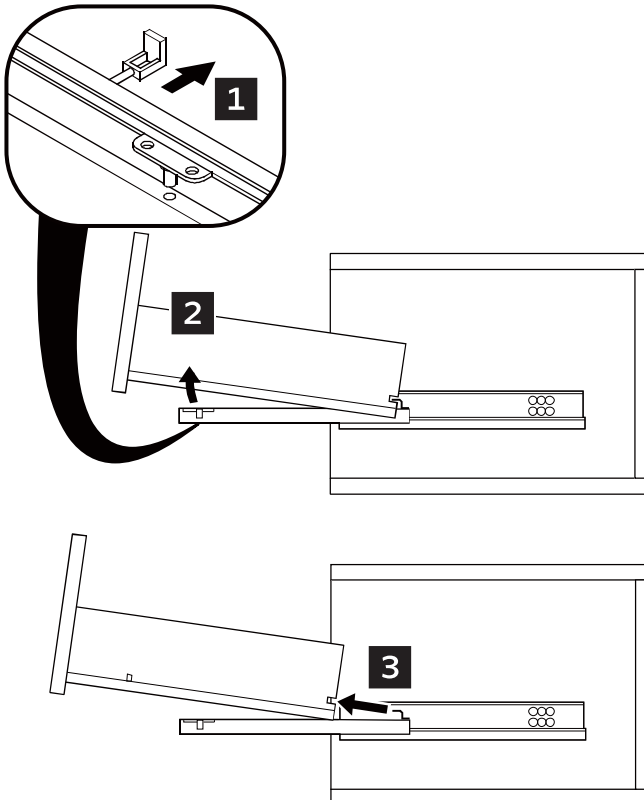


**6** Apply a bead of silicone on the top of a counter top and bottom of the sink. Connect sink to the counter top.

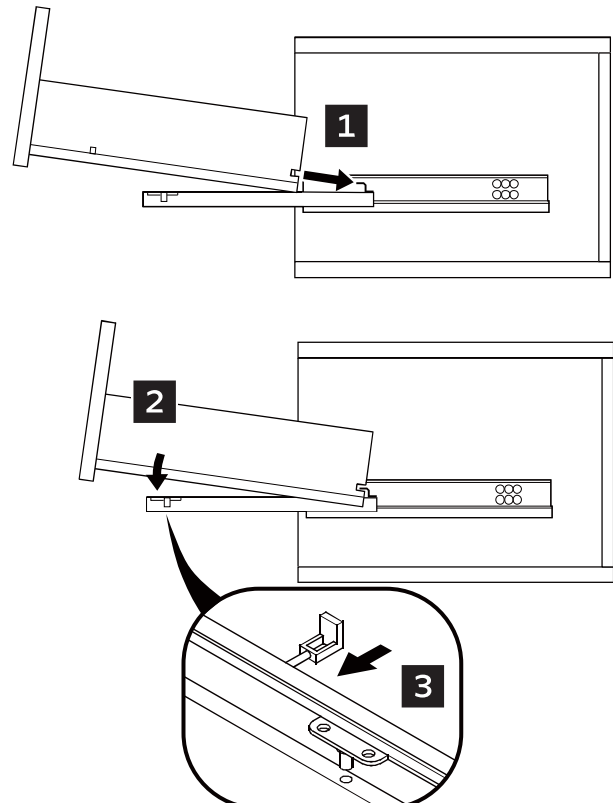


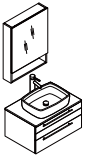
## DRAWER REMOVAL & INSTALLATION

### DRAWER REMOVAL



### DRAWER INSTALLATION





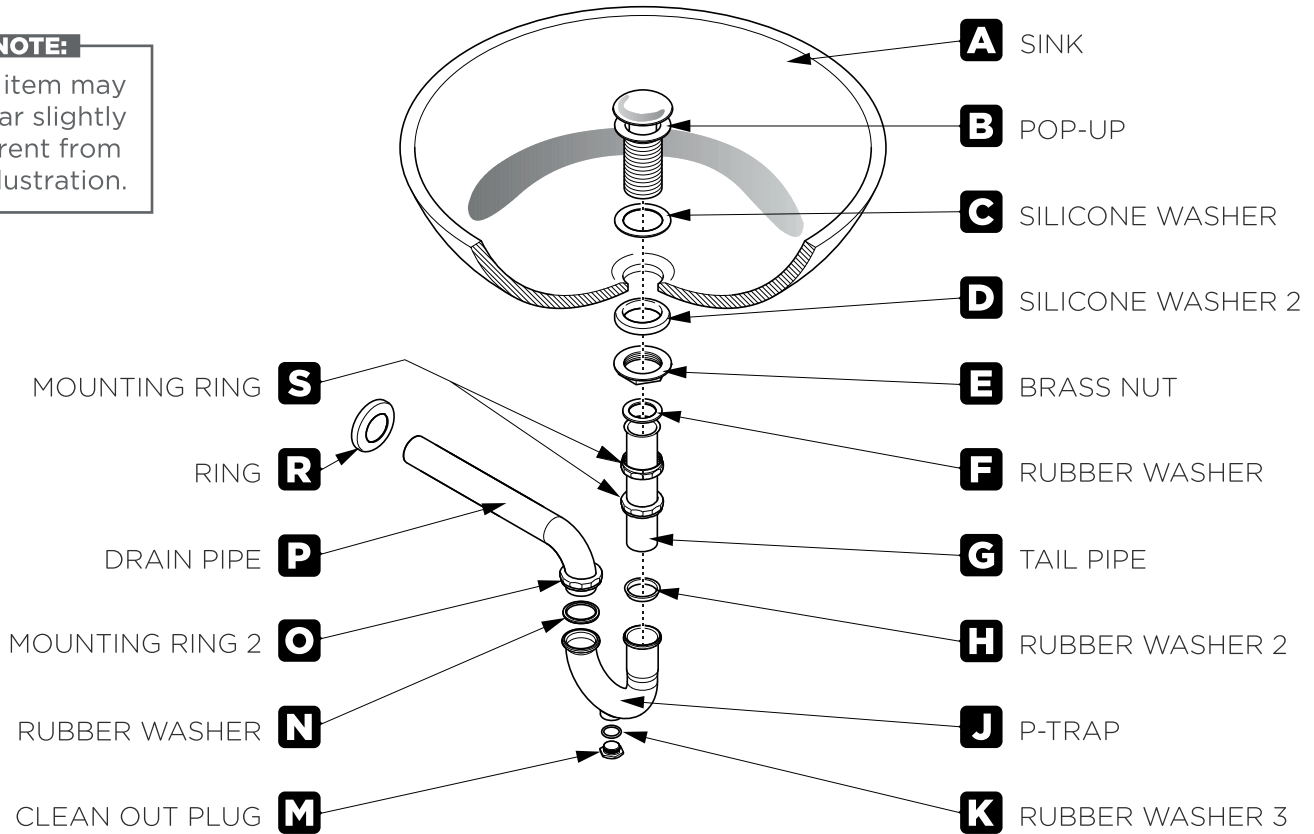
# FVN6130-VSL LUCERA INSTALLATION GUIDE



## P-TRAP AND POP-UP INSTALLATION INSTRUCTIONS

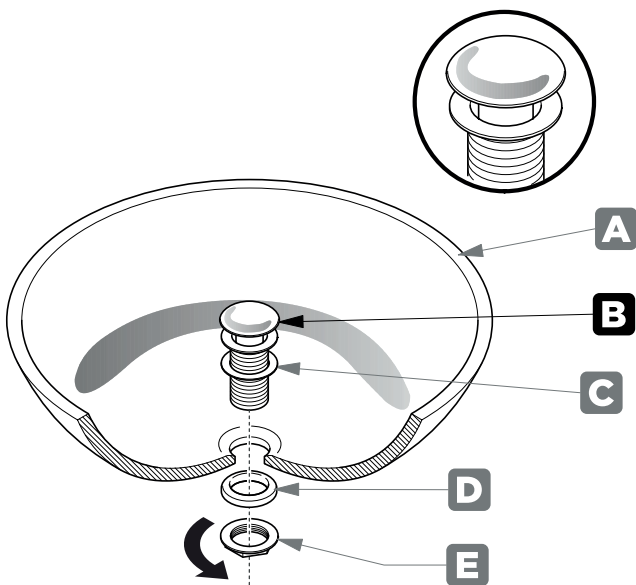
**NOTE:**

Your item may appear slightly different from the illustration.



## POP-UP INSTALLATION INSTRUCTIONS

**FOR SINKS  
WITHOUT OVERFLOW**



OR

**FOR SINKS  
WITH OVERFLOW**

