



Stella
COLLECTION

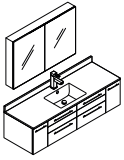
LUCERA

FVN6160-UNS

INSTALLATION GUIDE

CONTENTS:

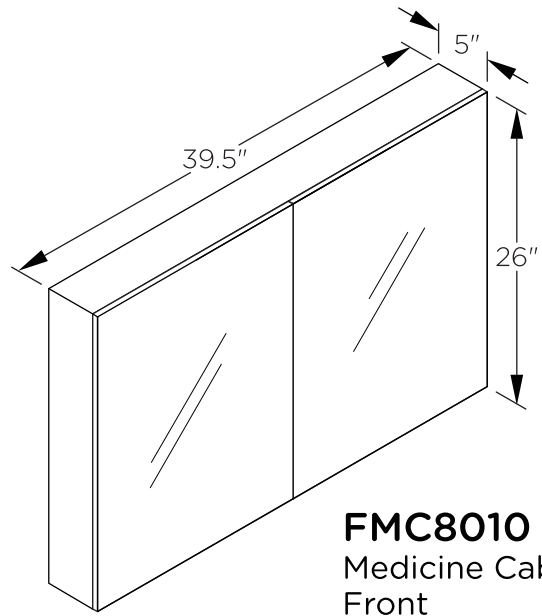
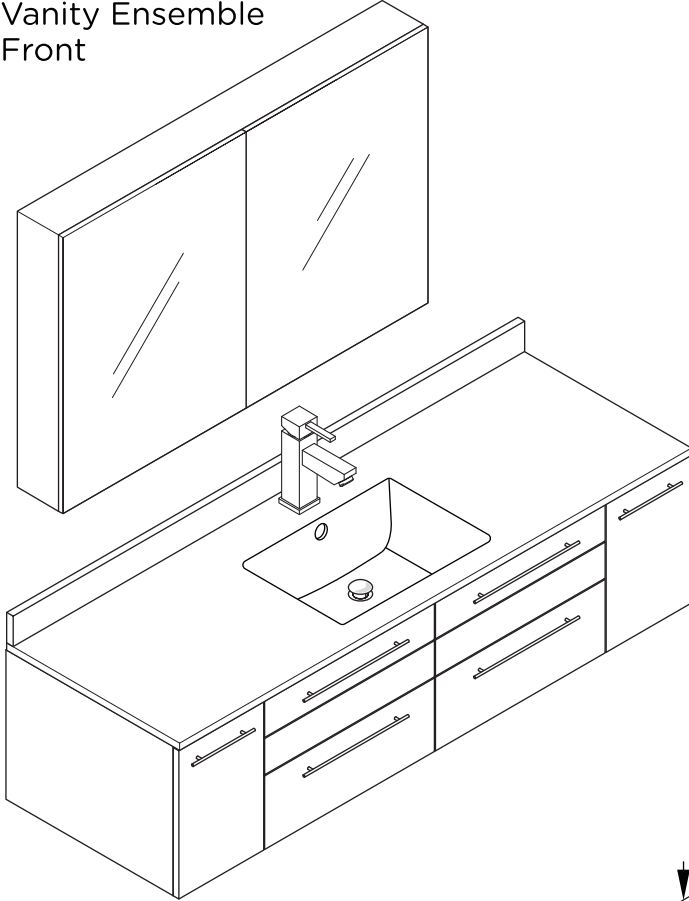
Medicine Cabinet.....	FMC8010.....	PAGE 2
Cabinet.....	FCB6160-UNS.....	PAGE 5
Counter Top / Sink.....	FCT2060WH-S-CMB.....	PAGE 6



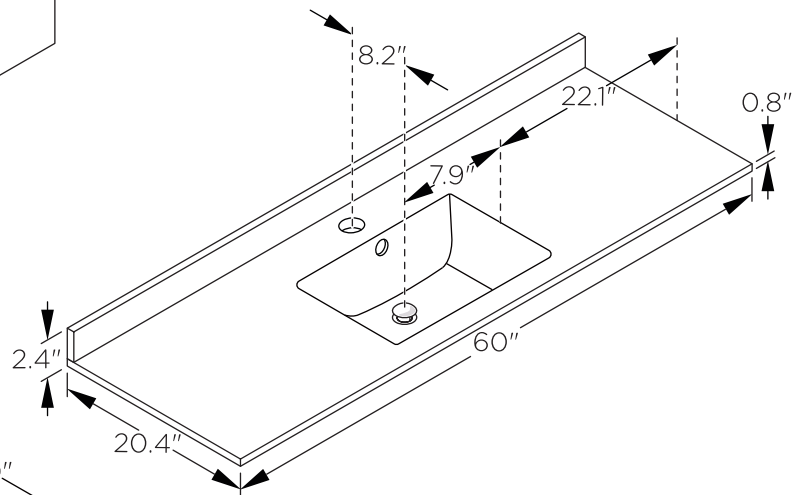
FVN6160-UNS LUCERA INSTALLATION GUIDE



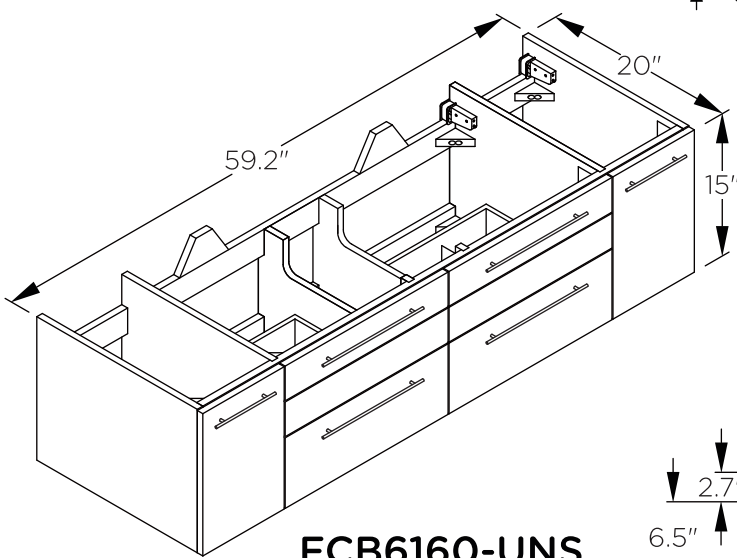
FVN6160-UNS
Vanity Ensemble
Front



FMC8010
Medicine Cabinet
Front

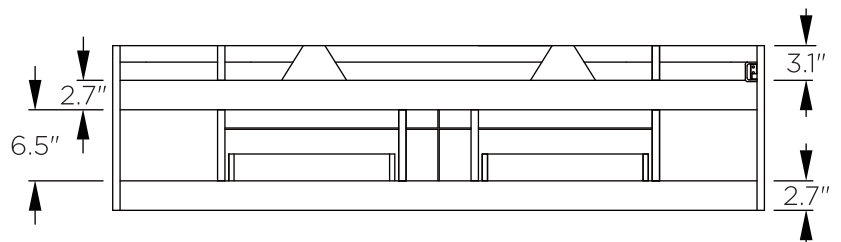


FCT2060WH-S-CMB
Counter Top /Sink Front



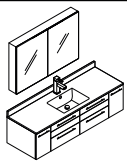
FCB6160-UNS
Cabinet Front

FCB6160-UNS
Cabinet Back



>All dimensions & specifications are approximate and subject to change without notice.

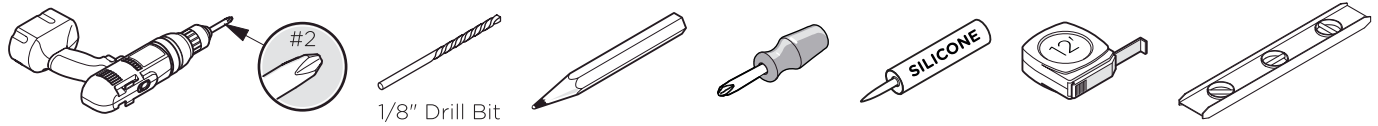




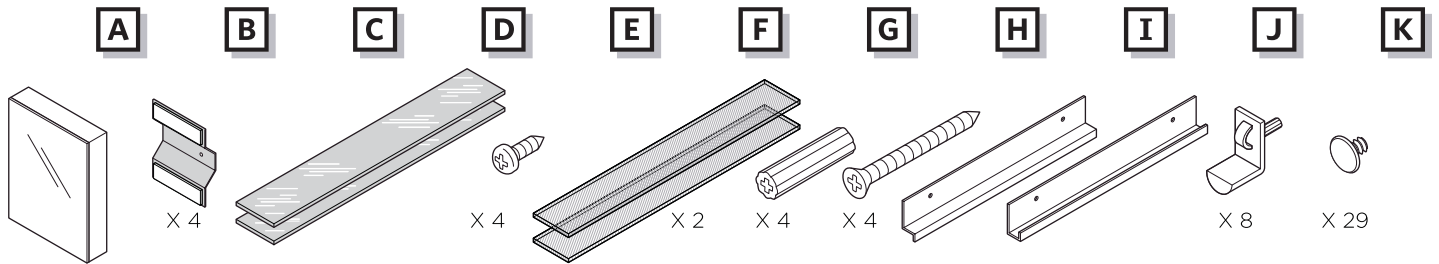
FVN6160-UNS LUCERA INSTALLATION GUIDE



TOOLS FOR ASSEMBLY



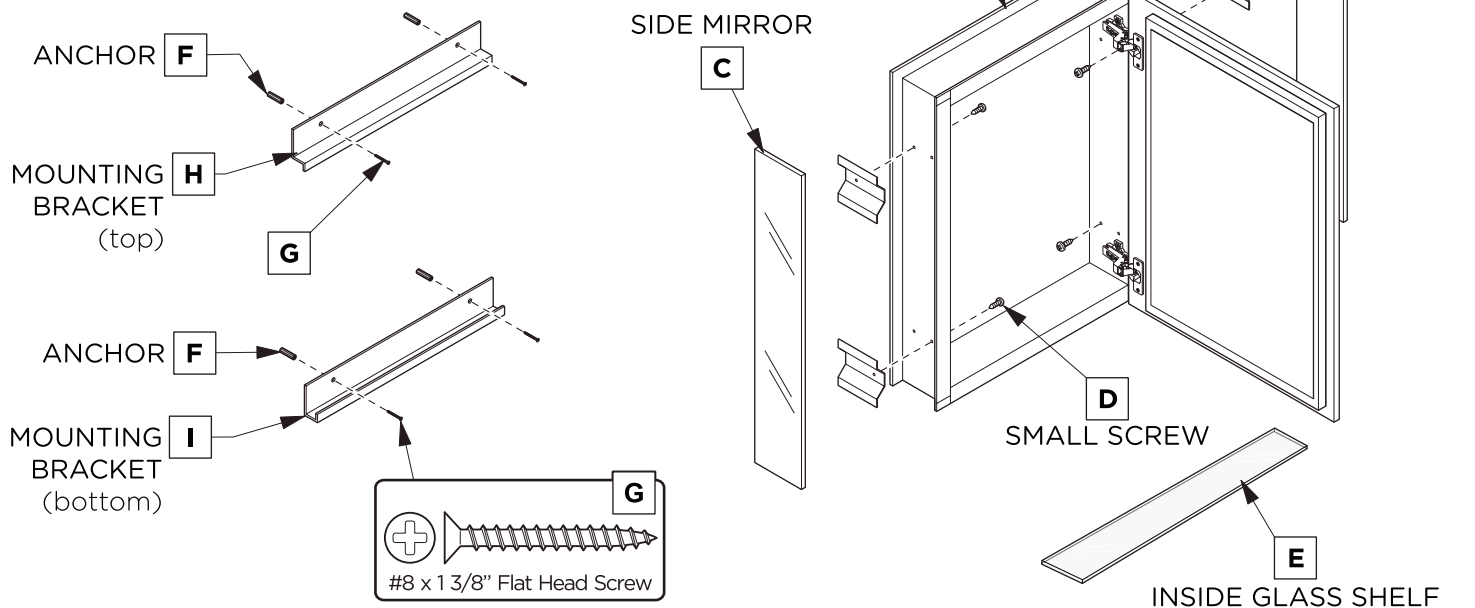
SUPPLIED PARTS



MEDICINE CABINET DIMENSIONS

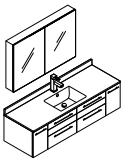
Model SKU	Width A	Height B	Depth
FMC8058	19.5"	26"	5"
FMC8090	29.5"	26"	5"
FMC8010	39.5"	26"	5"

Your item may appear slightly different from illustration.



WARNING:
Risk of property damage. Use anchors rated for the loaded weight of the product. Refer to the anchor manufacturer's instructions.

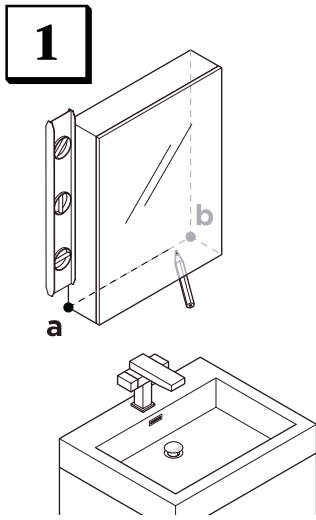




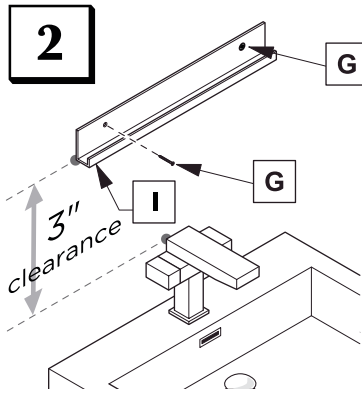
FVN6160-UNS LUCERA INSTALLATION GUIDE



MEDICINE CABINET SURFACE MOUNT INSTALLATION



Level and mark the medicine cabinet's location on the wall from point **a** to point **b**.



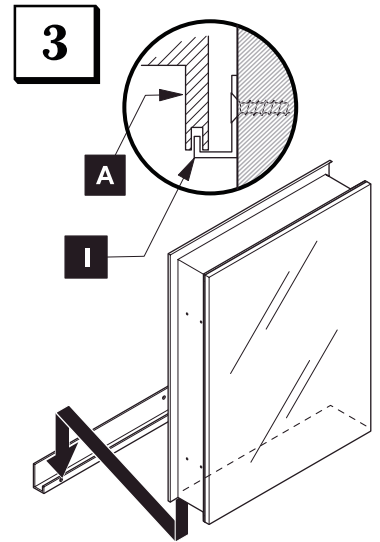
Level and mark.

Drill the holes in the wall with a 3/16" drill bit.

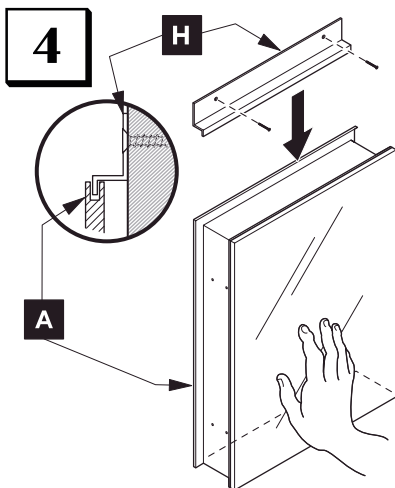
Insert the anchors in the holes.

Attach bottom bracket to the wall.

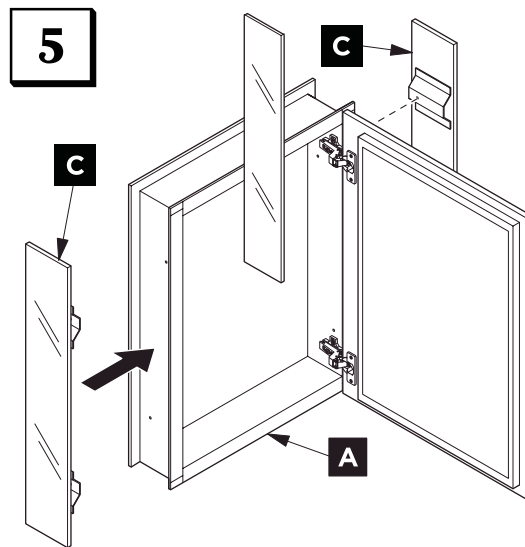
IMPORTANT: Consult an expert for the proper screws/bolts to use when attaching to various constructions. Screws provided **do not** attach to all wall construction types. Anchors are not required if brackets are installed in stud.



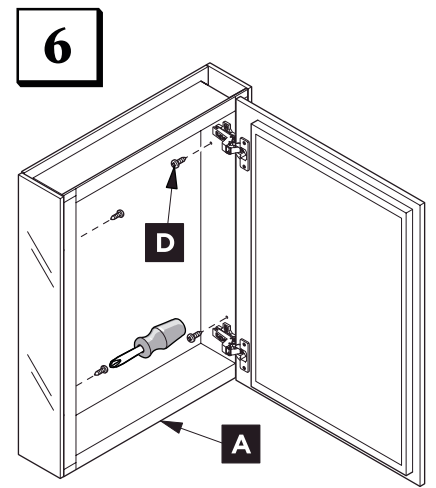
With assistance, rest the medicine cabinet on the bottom mounting bracket and hold it in place.



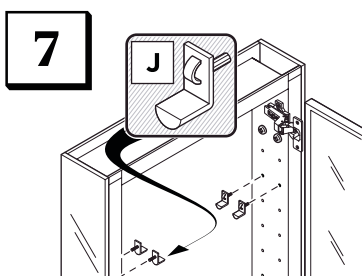
Hold the medicine cabinet (**A**) while it's placed on the bottom bracket, then secure by fitting the top bracket (**H**) on top of the medicine cabinet, and attach the top bracket (**H**) to the wall.



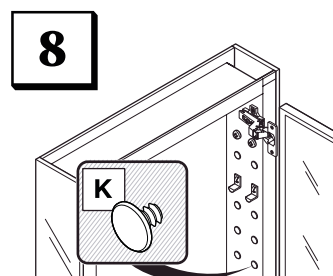
Align mirrored side panels (**C**) to each side of the medicine cabinet.



Attach mirrored side panels to the medicine cabinet using a screwdriver and provided screws (**D**).

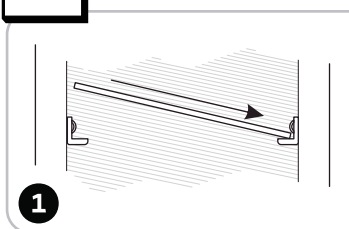


Push and twist the snap-in pins (**J**) into place.

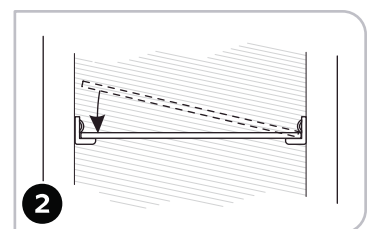


Fill remaining holes with the plugs (**K**).

9 SHELVES INSTALLATION

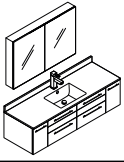


Push a side of the shelf (**E**) into left or right pins (**J**).



Snap the shelf (**E**) down into the opposite side.





FVN6160-UNS LUCERA INSTALLATION GUIDE



MEDICINE CABINET RECESS MOUNT INSTALLATION

1

Draw the perimeter of the medicine cabinet on the wall.

2

Place and hold the medicine cabinet in the cutout opening.

3

Frame the cutout opening.

4

Cut the marked perimeter with appropriate tool.

ROUGH IN DIMENSIONS			
Model SKU	Width A	Height B	Depth
FMC8058	19.5"	26"	5"
FMC8090	29.5"	26"	5"
FMC8010	39.5"	26"	5"

4 STEPS TO FRAME THE CUTOUT OPENING

5

Level, then secure the medicine cabinet with the screws (G) through the mounting holes into the framing studs.

6

Choose the position for your shelves then push and twist the snap-in pins (J) into place.

7 SHELVES INSTALLATION

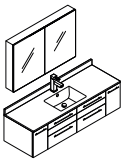
a. Push a side of the glass shelf (C) into left or right pins (J).
 b. Snap the glass shelf (C) into the opposite side.
 c. Fill remaining holes with the plugs (K).

OPTIONAL DOOR ADJUSTMENT:

A This screw allow you to adjust pitch side to side.
B This screw releases cabinet's door and allows up and down adjustment.
C This screw allow you to adjust the gap between doors.

Illustration A.



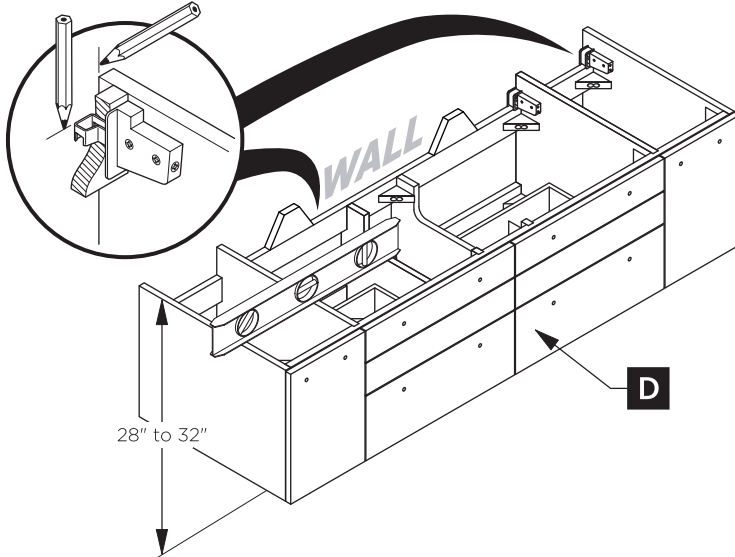


FVN6160-UNS LUCERA INSTALLATION GUIDE

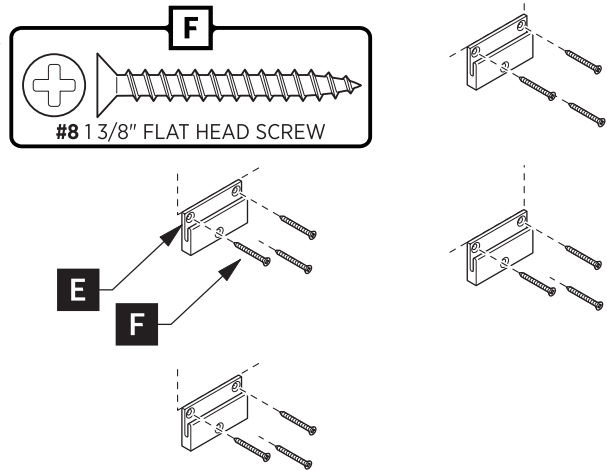


CABINET INSTALLATION

- 1** Place cabinet (D) in designated location and mark the bracket position on the wall.

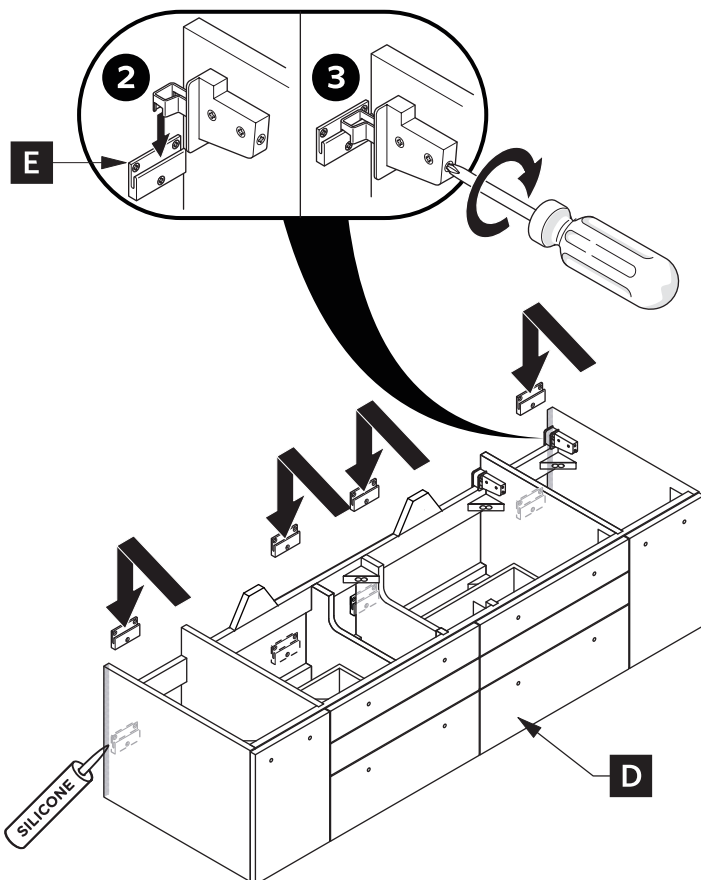


- 2** Attach wall brackets (E) to the wall with the screws (F).

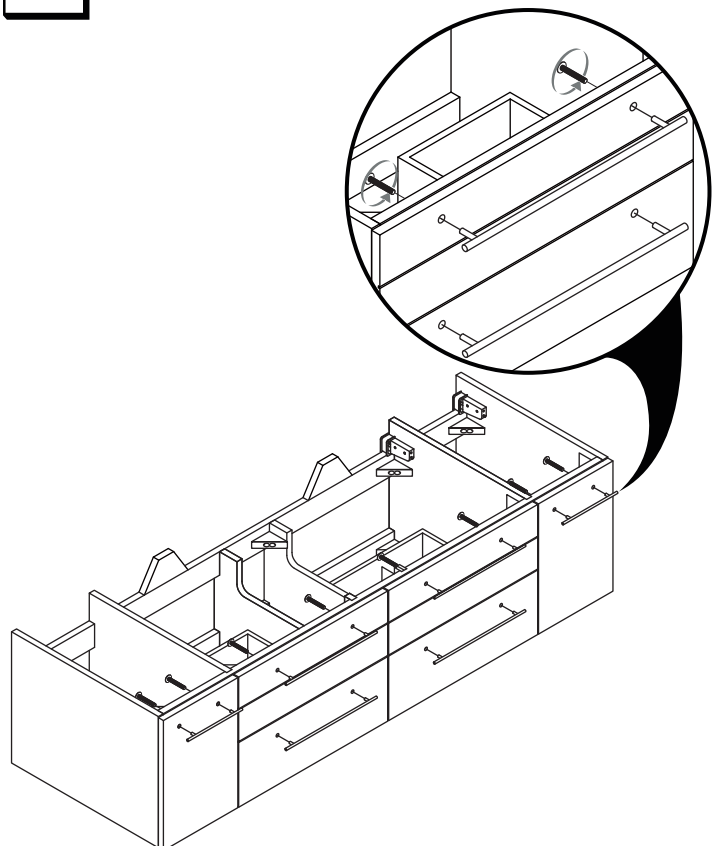


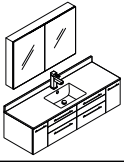
IMPORTANT: Consult an expert for the proper screws/bolts to use when attaching to various constructions. Screws provided do not attach to all wall construction types. Anchors are not required if brackets are installed in stud.

- 3** Apply a bid of silicone and hang the cabinet (D) on the brackets (E).



- 4** Attach the handles to cabinet.



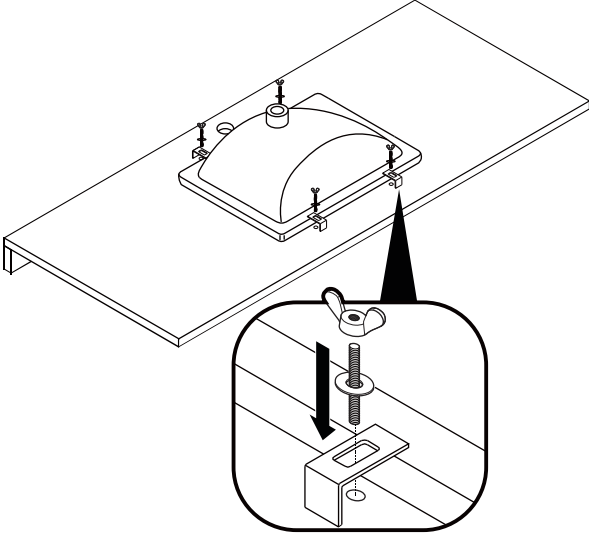


FVN6160-UNS LUCERA INSTALLATION GUIDE

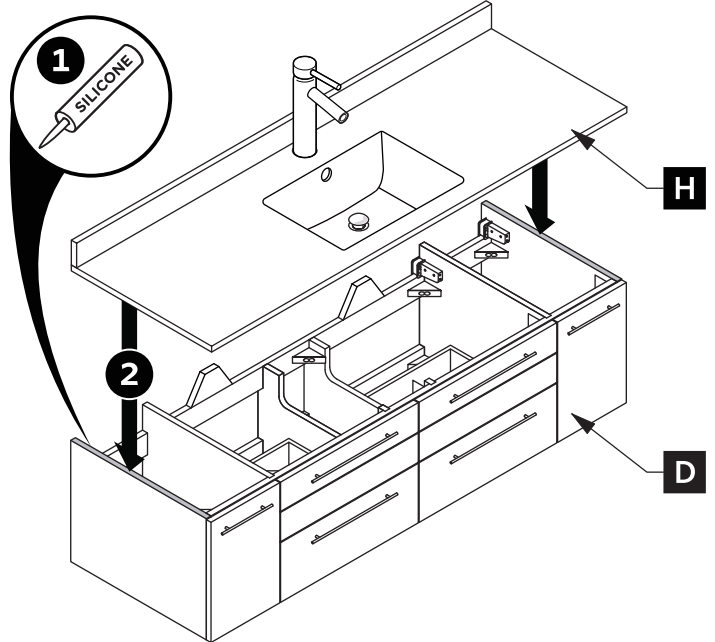


CABINET INSTALLATION

- 5** Flip the counter top upside down and attach the sink to it using provided brackets & screws.

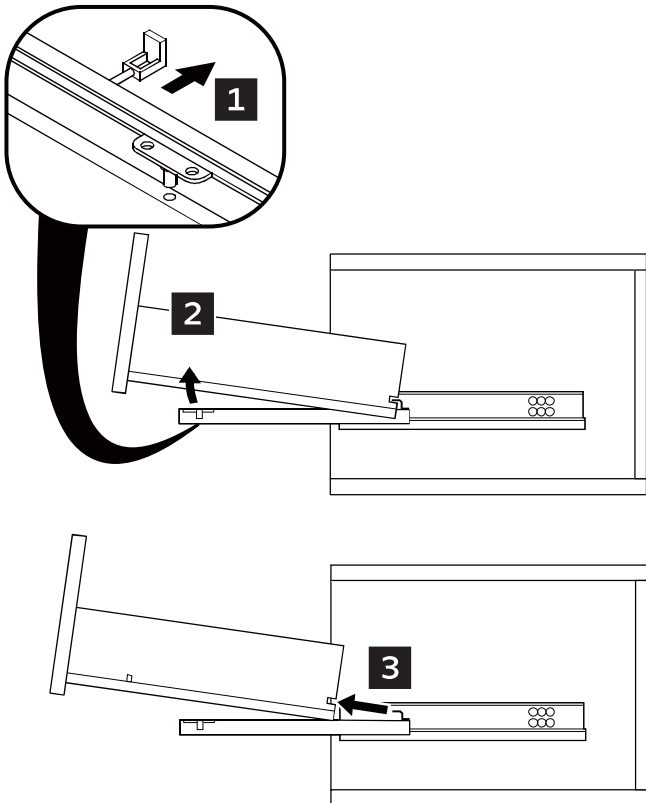


- 6** Put a bead of silicone on the top of the cabinet (D) then place a sink (H) on the top of it.

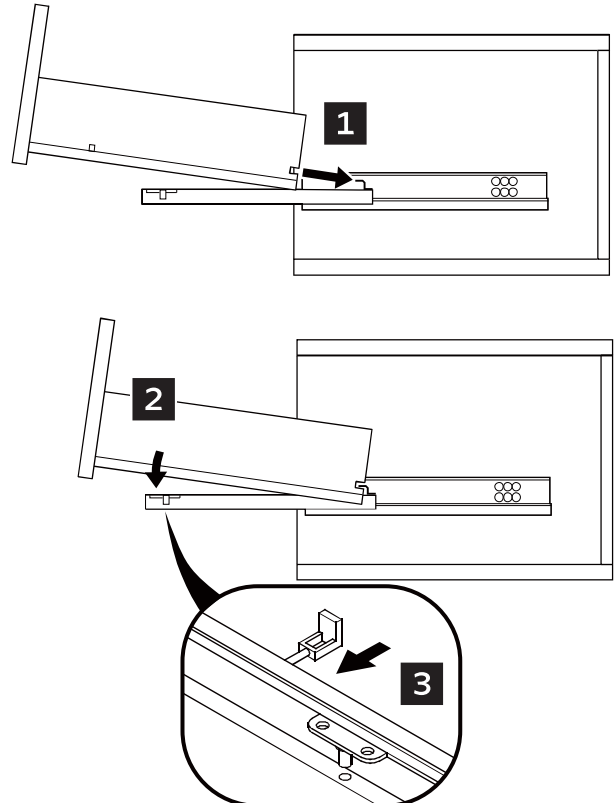


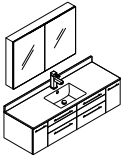
DRAWER REMOVAL & INSTALLATION

DRAWER REMOVAL



DRAWER INSTALLATION





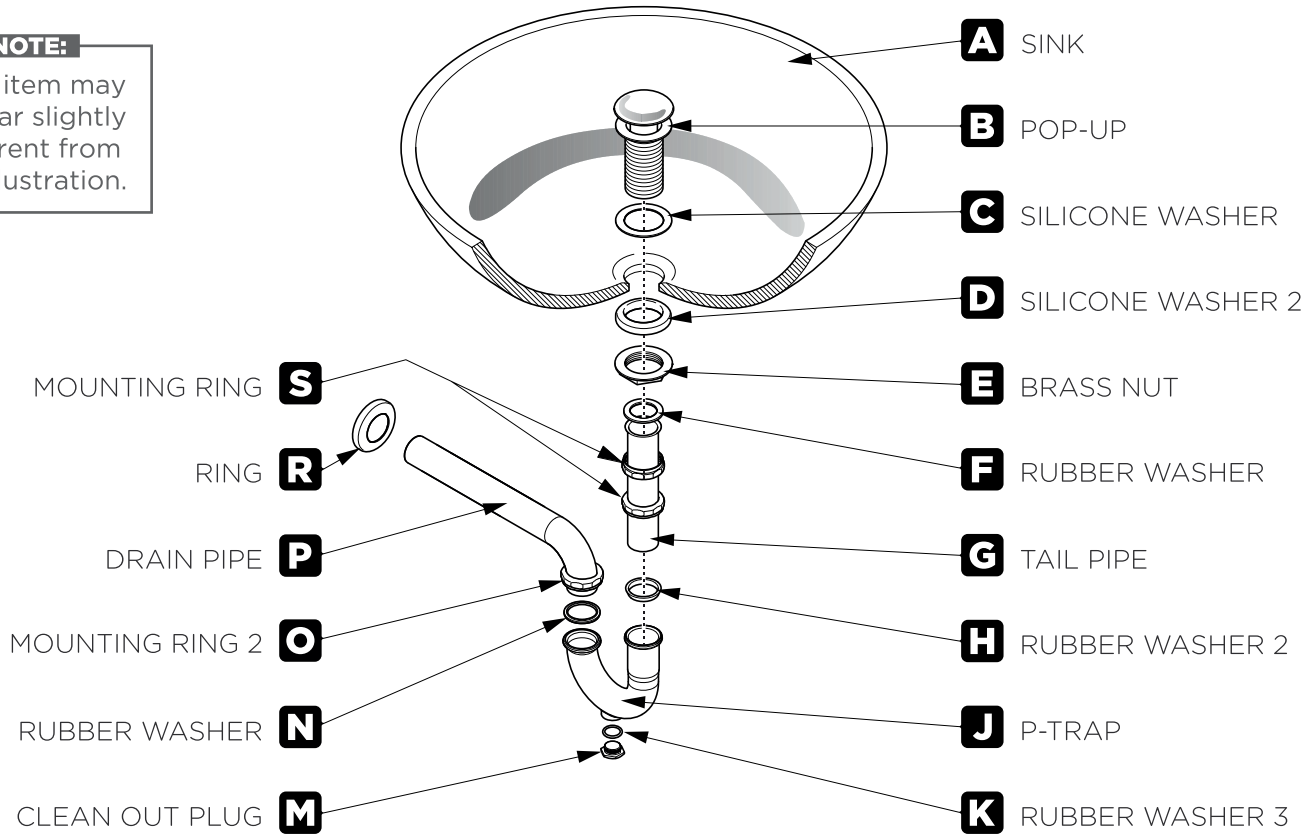
FVN6160-UNS LUCERA INSTALLATION GUIDE



P-TRAP AND POP-UP INSTALLATION INSTRUCTIONS

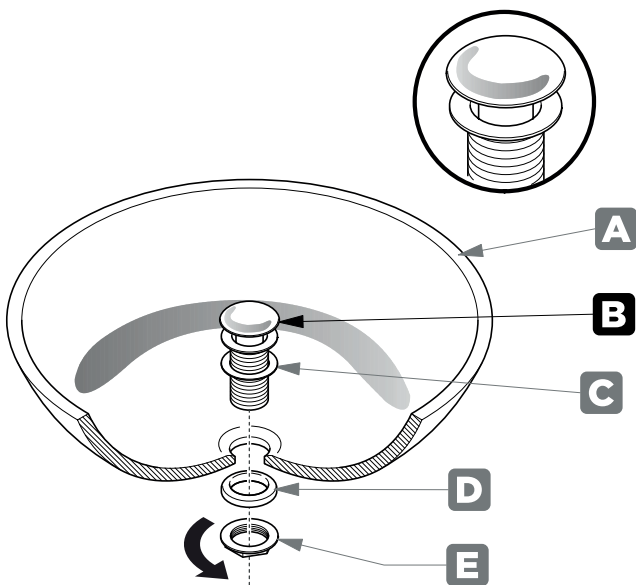
NOTE:

Your item may appear slightly different from the illustration.



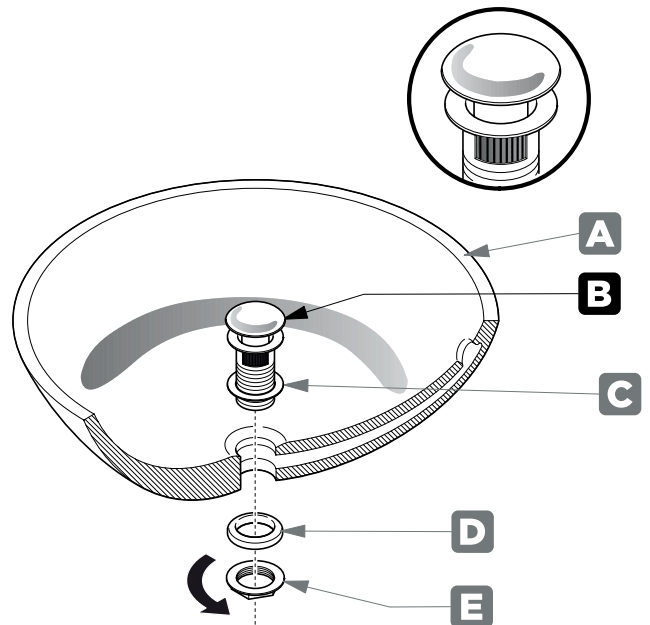
POP-UP INSTALLATION INSTRUCTIONS

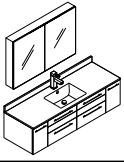
**FOR SINKS
WITHOUT OVERFLOW**



OR

**FOR SINKS
WITH OVERFLOW**



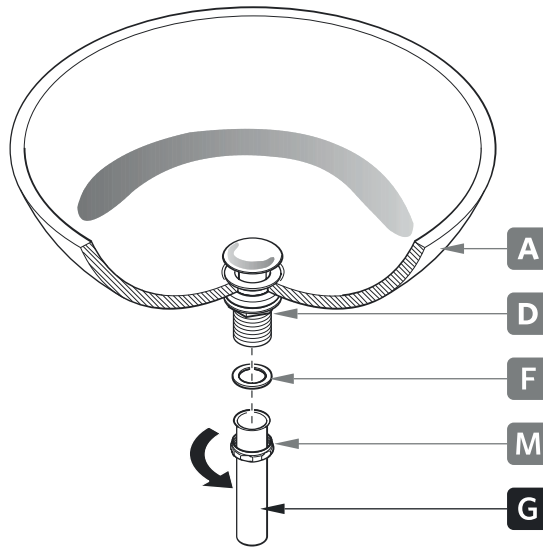


FVN6160-UNS LUCERA INSTALLATION GUIDE



P-TRAP INSTALLATION

1 Install tail pipe (G).



2 Connect P-trap (J).

