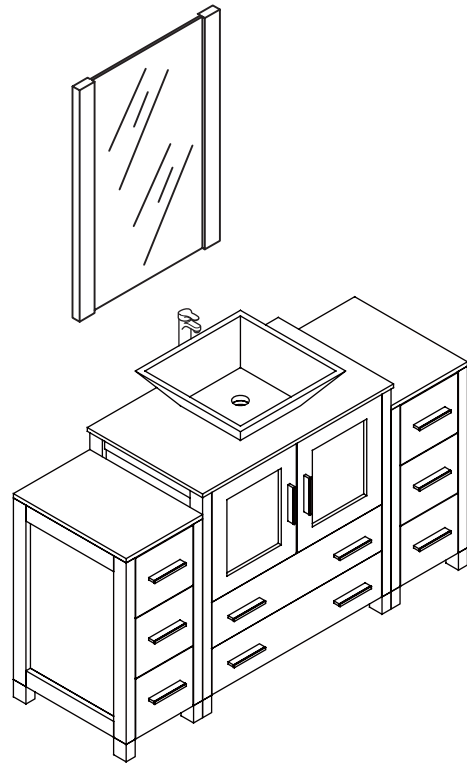
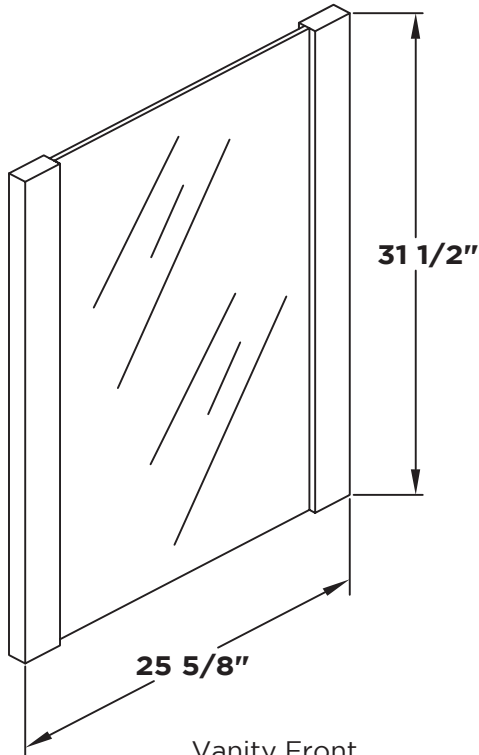
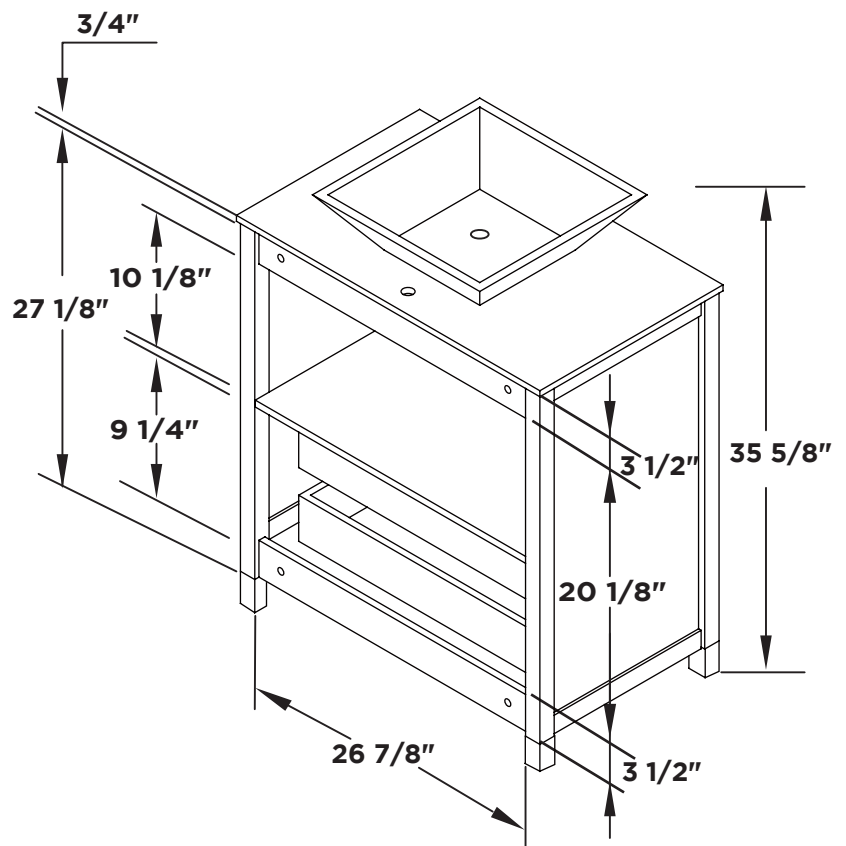
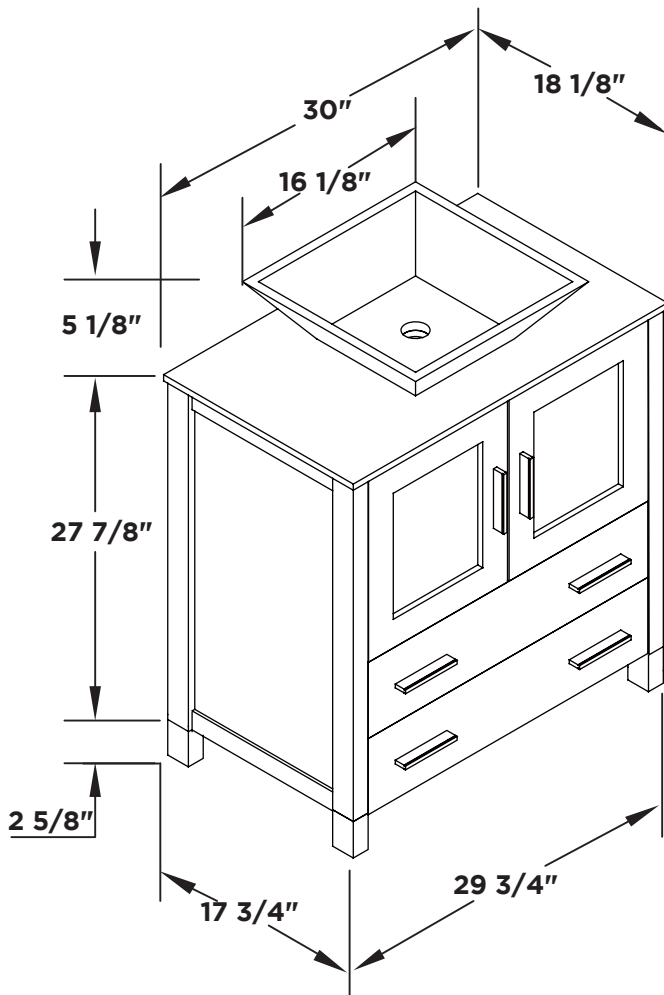


Mirror

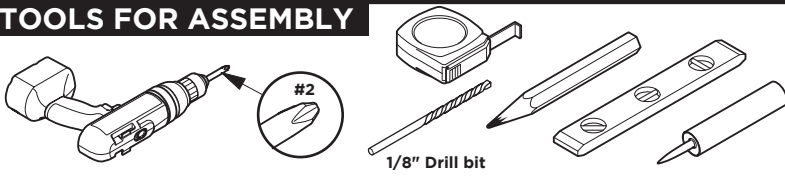


Vanity Back

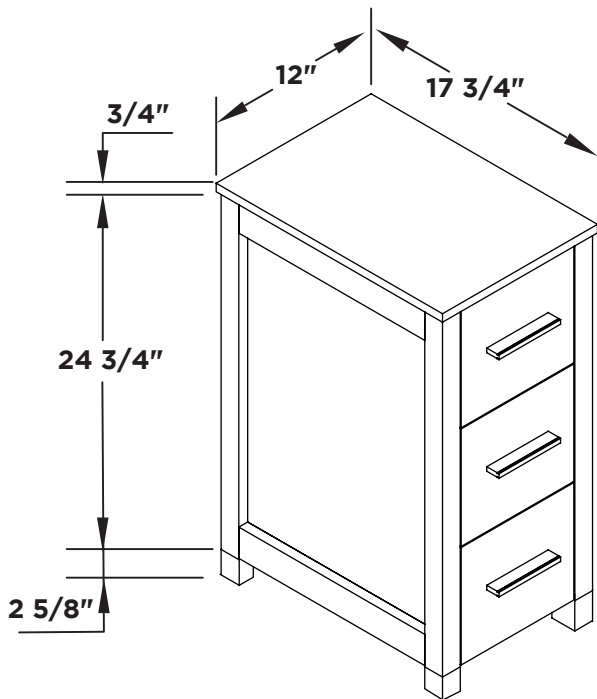
Vanity Front



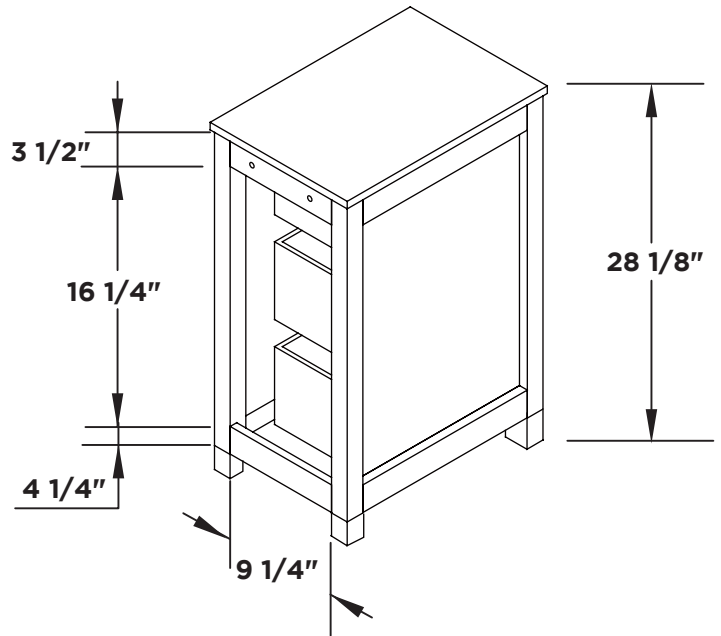
## TOOLS FOR ASSEMBLY



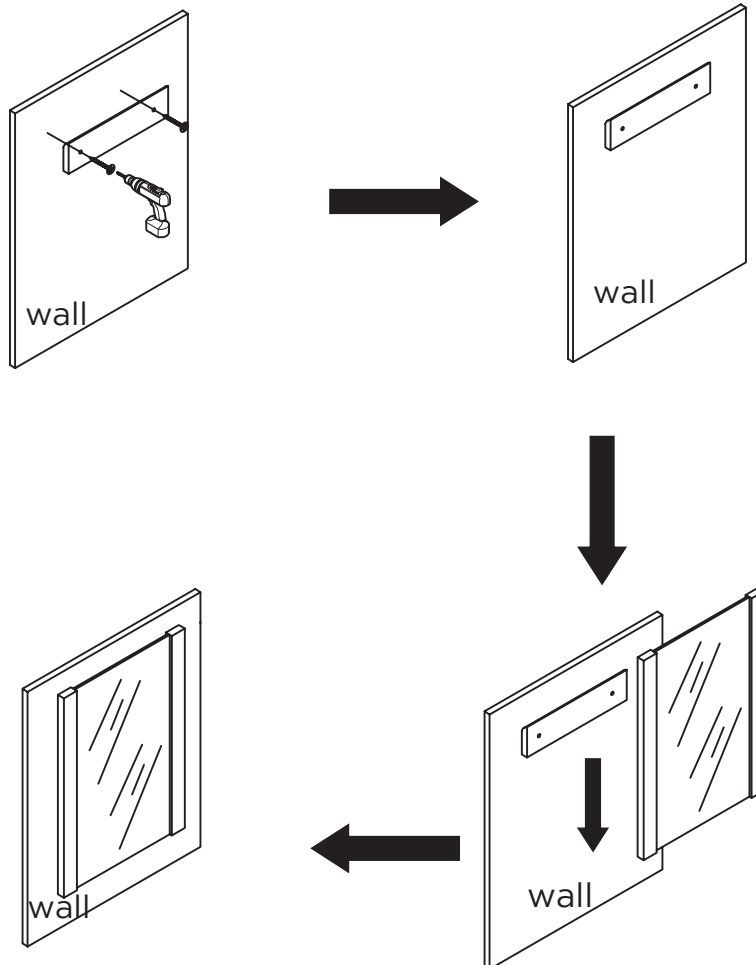
Side Cabinet Front 2PCS



Side Cabinet Back 2PCS

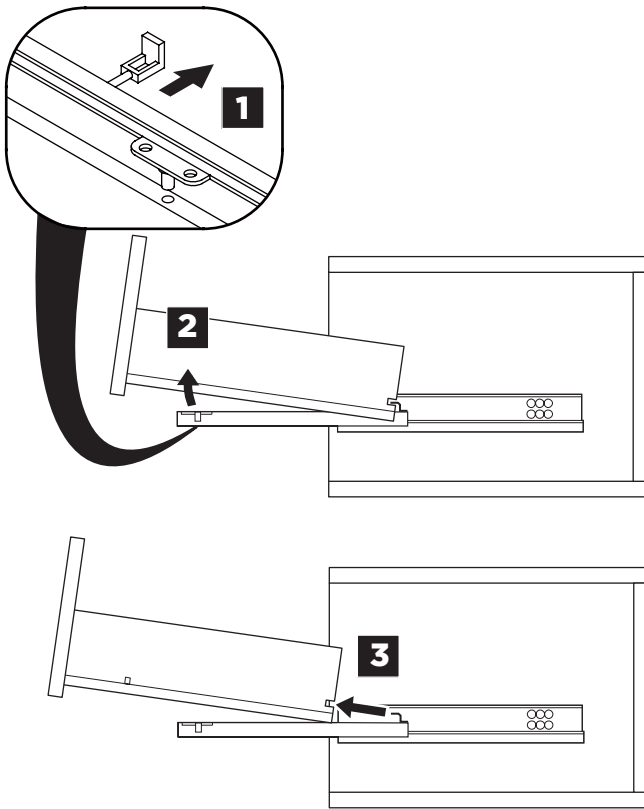


## MIRROR INSTALLATION

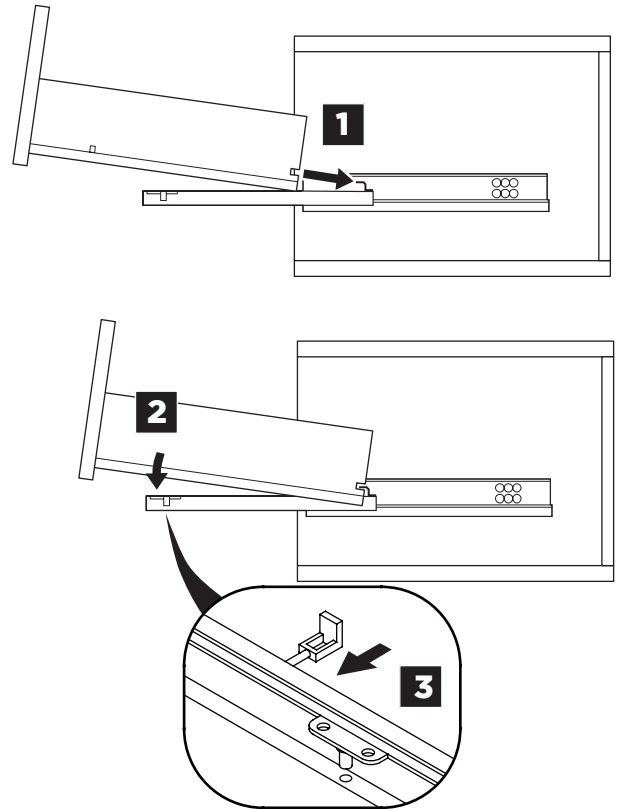


# DRAWER REMOVAL & INSTALLATION

## REMOVAL

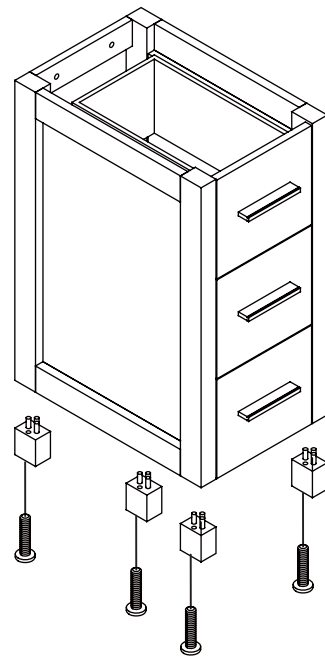
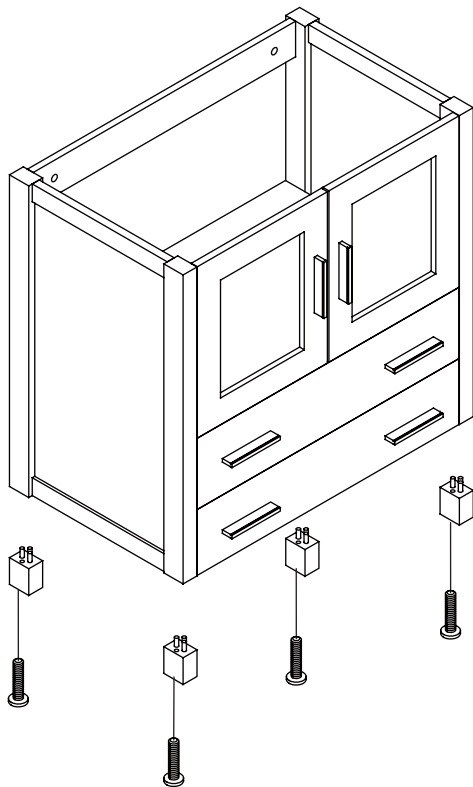


## INSTALLATION



**1**

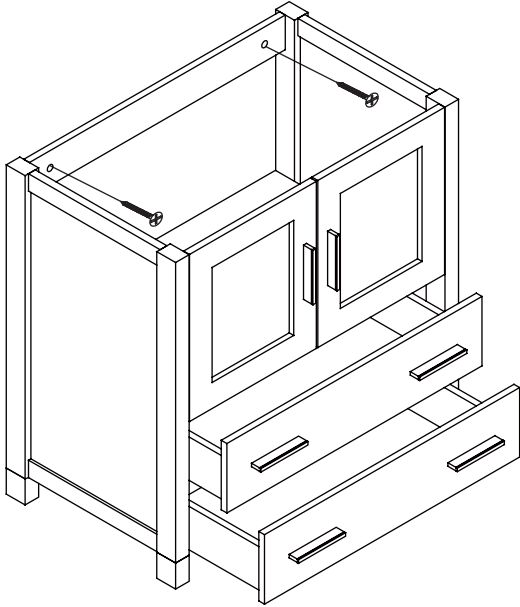
Install leg



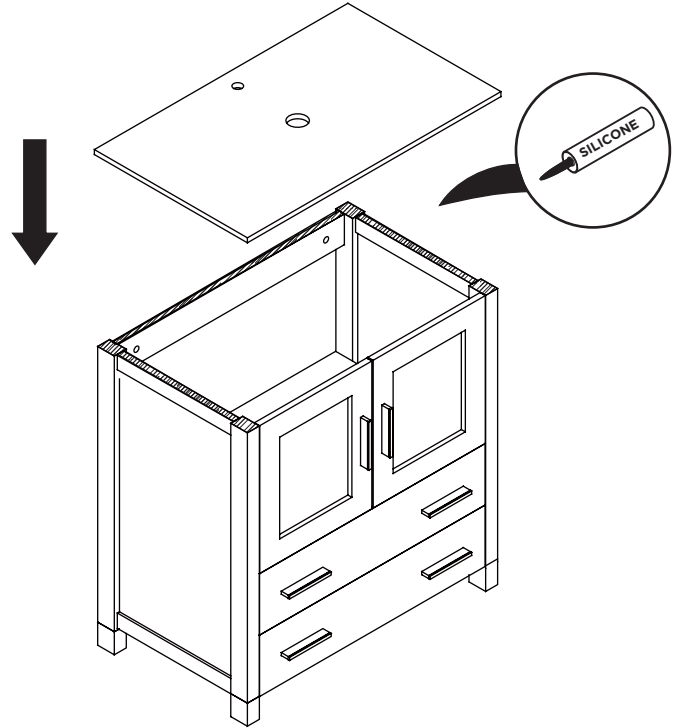
**2** Remove drawer

**3** Install cabinet

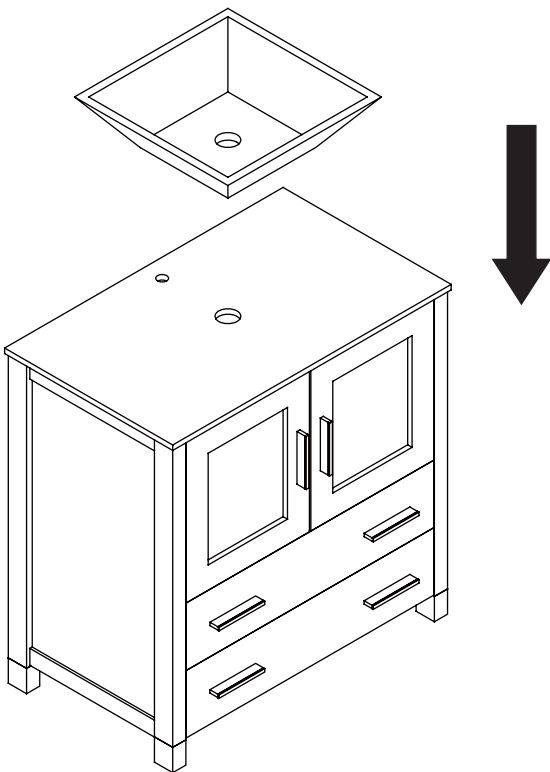
**IMPORTANT:** Consult an expert for the proper screws/bolts to use when attaching to various wall constructions. Screws provided do not attach to all wall construction types.



**4** Install top panel

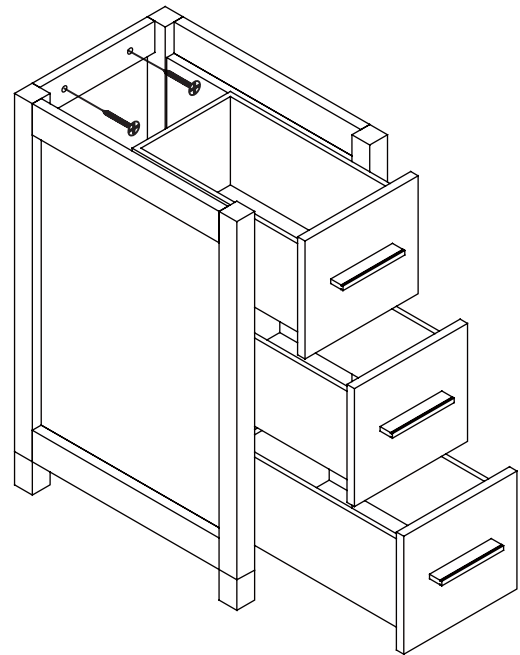


**5** Install sink



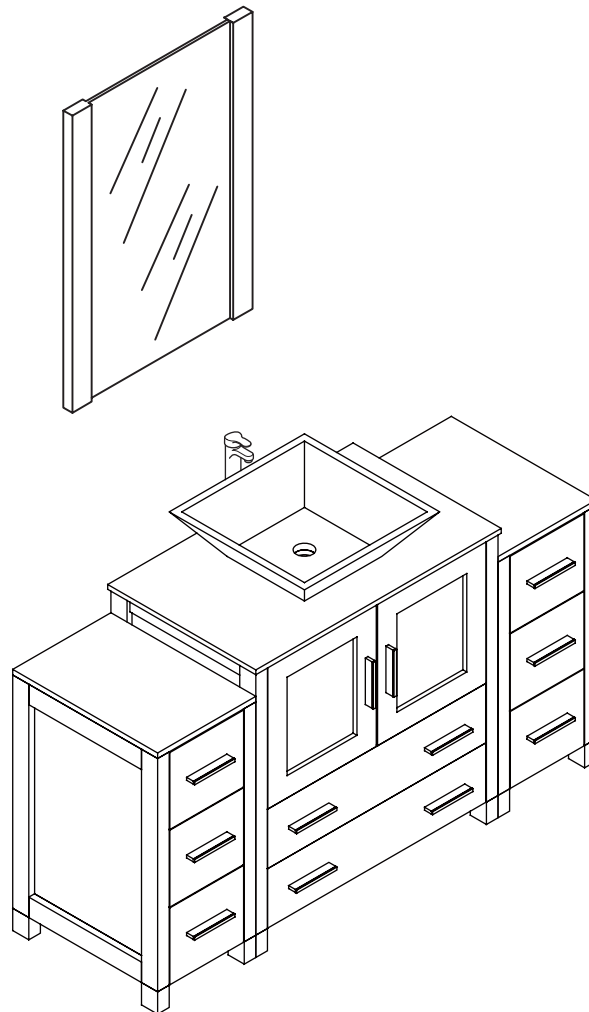
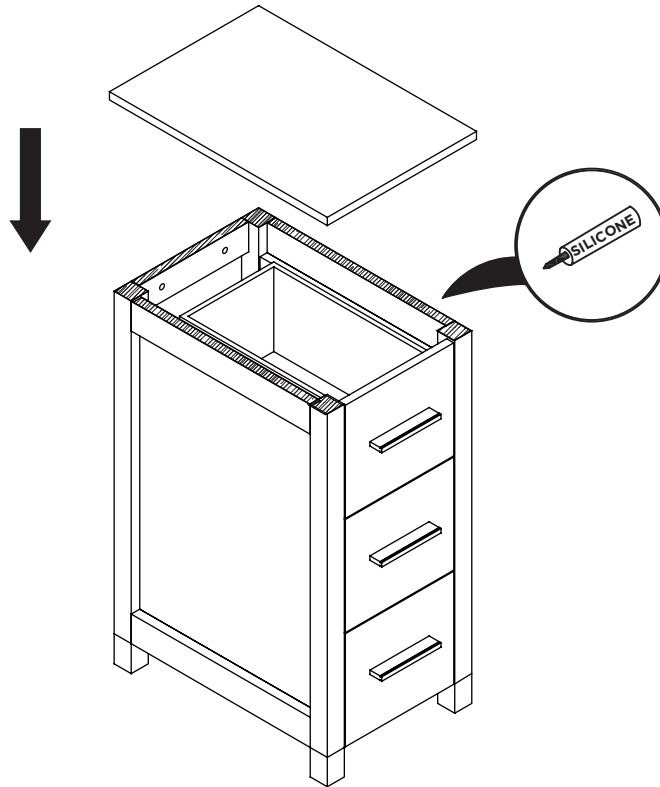
**6** Remove side cabinet drawer

**7** Install side cabinet

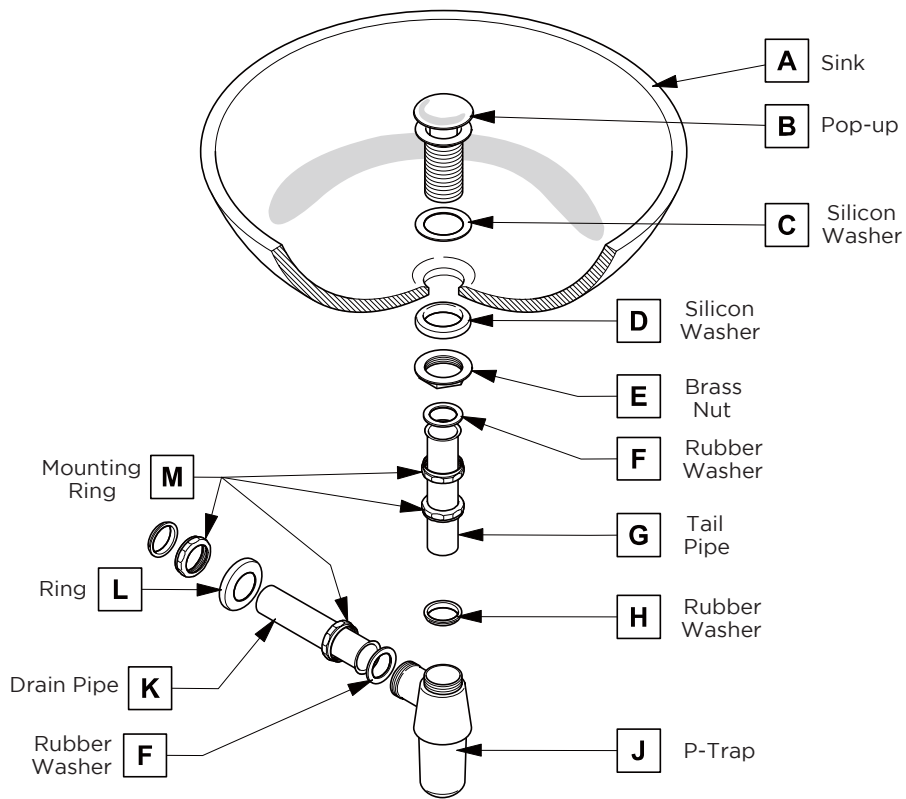


8

Install side cabinet top panel

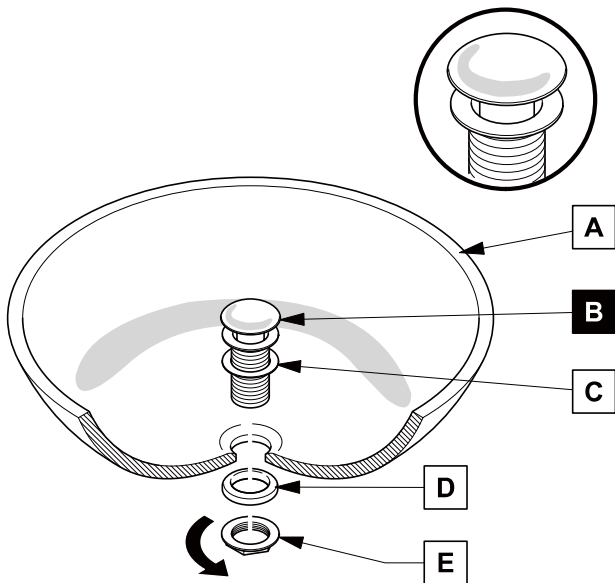


## P-TRAP AND POP-UP INSTALLATION INSTRUCTIONS



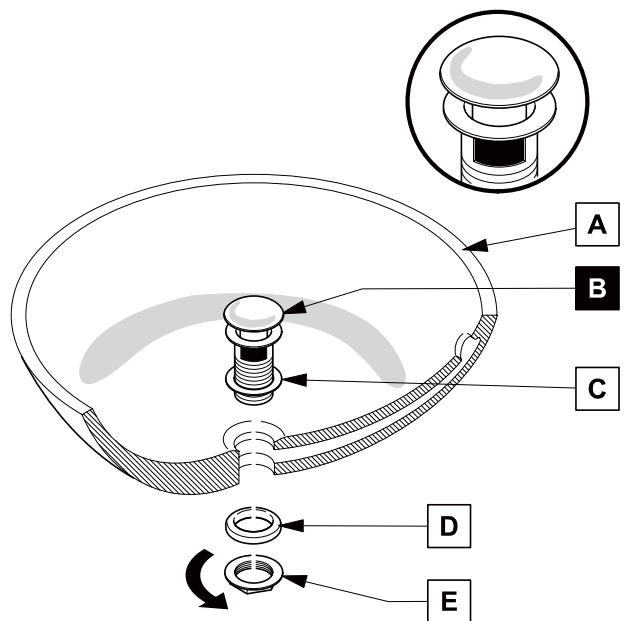
### **POP-UP INSTALLATION**

#### FOR SINKS WITHOUT OVERFLOW



**OR**

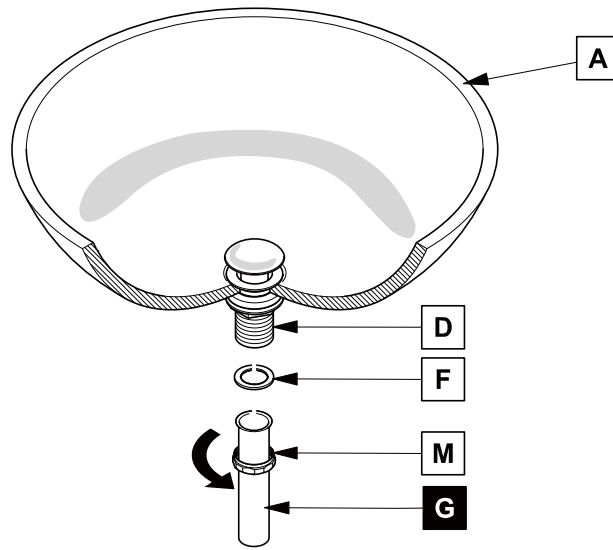
#### FOR SINKS WITH OVERFLOW



# P-TRAP INSTALLATION

**1**

Install tail pipe (G)



**2**

Install p-trap (J)

