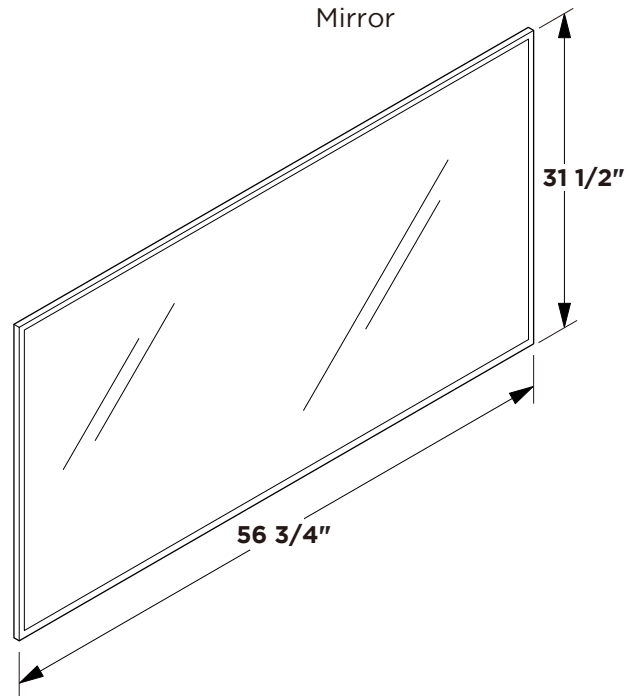
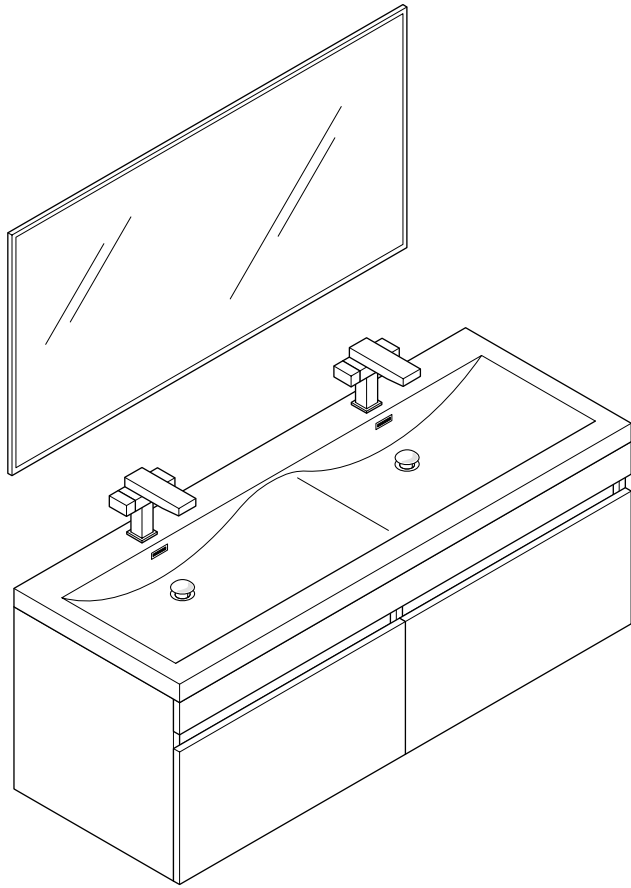
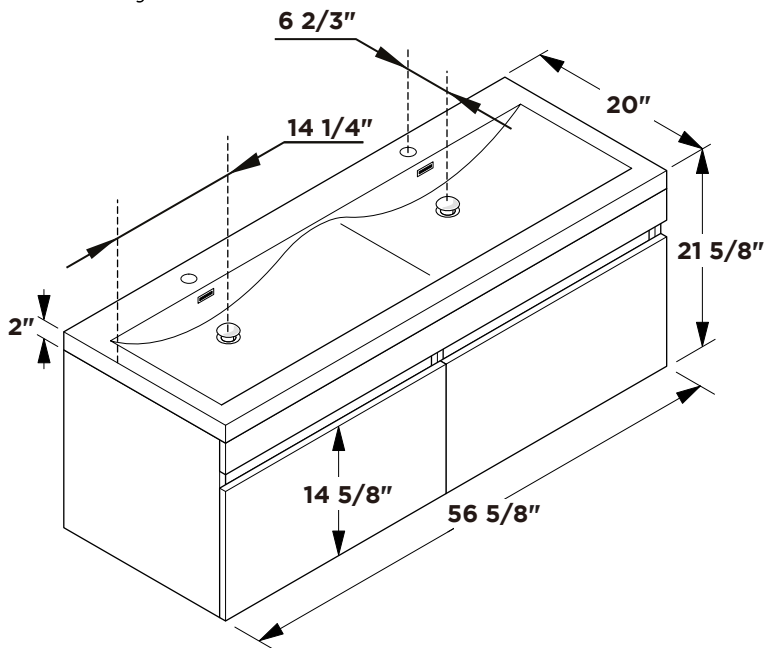


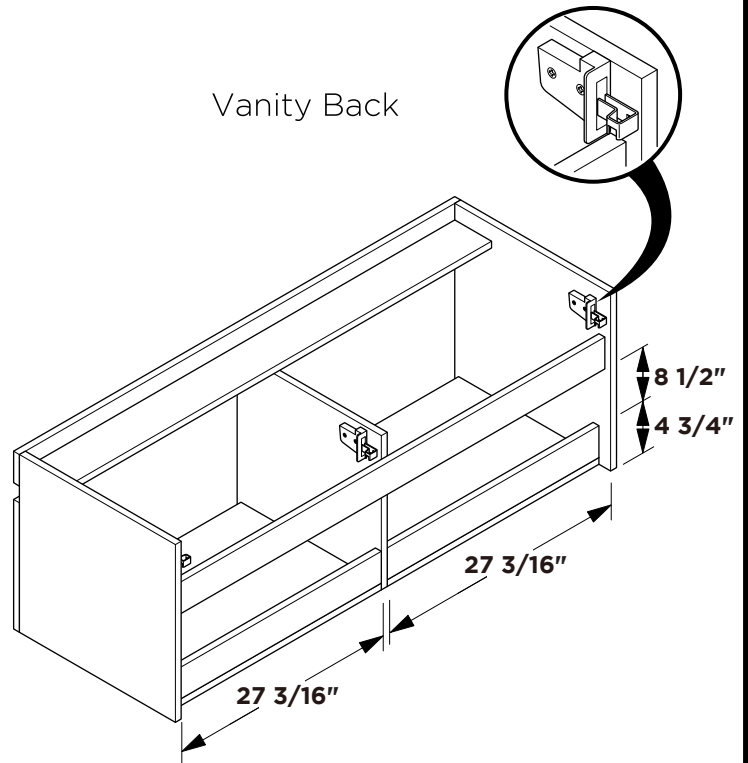
FVN8040
LARGO
INSTALLATION GUIDE



Vanity Front

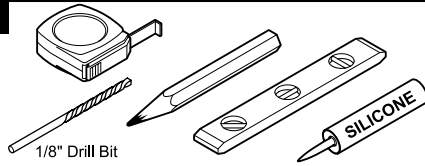
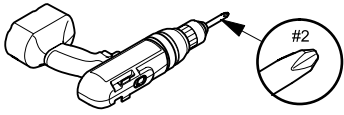


Vanity Back

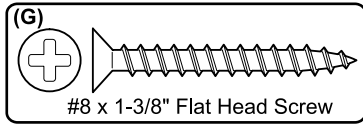


Note: All dimensions and specifications are approximate and subject to change without notice.

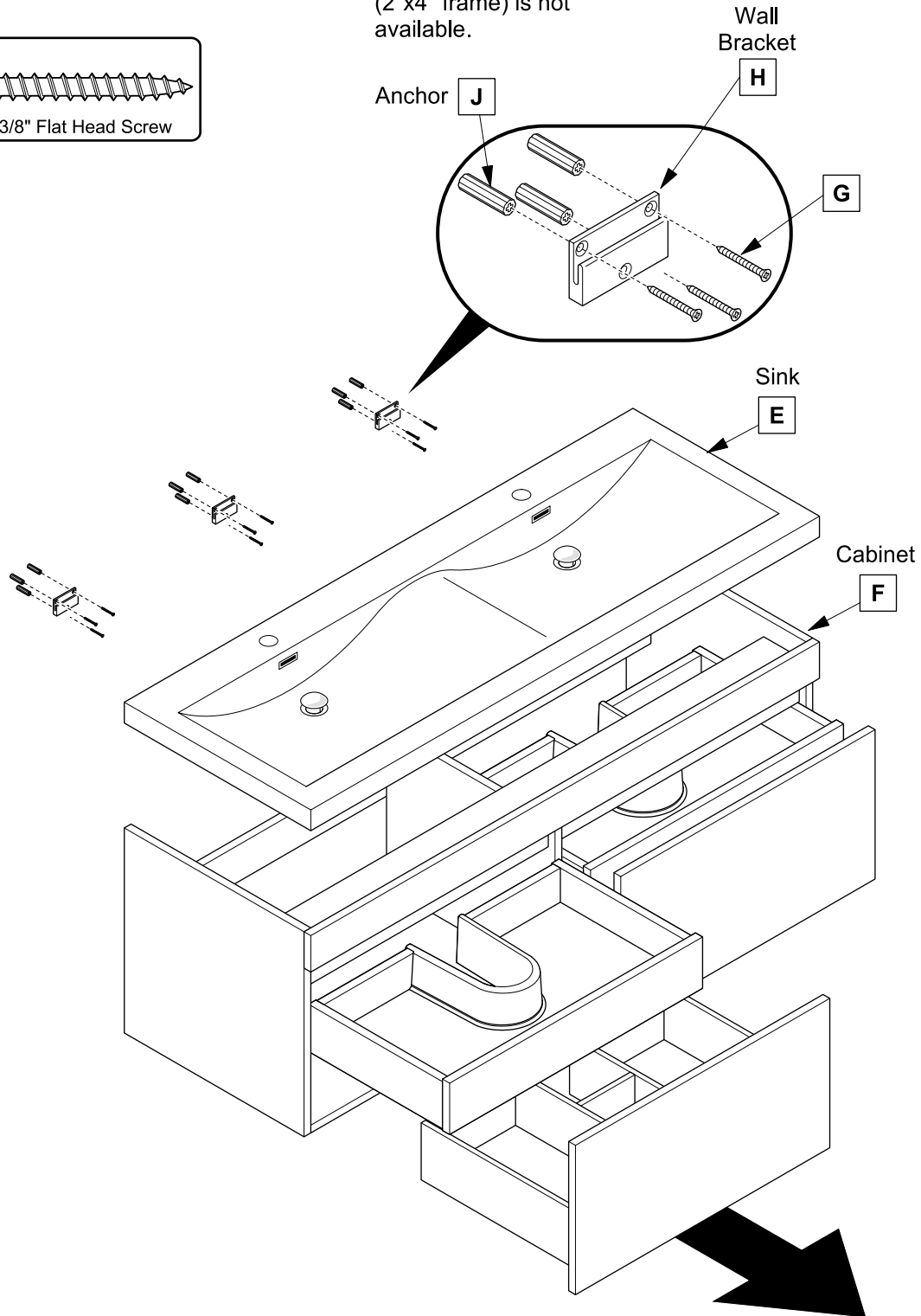
TOOLS FOR ASSEMBLY



PARTS

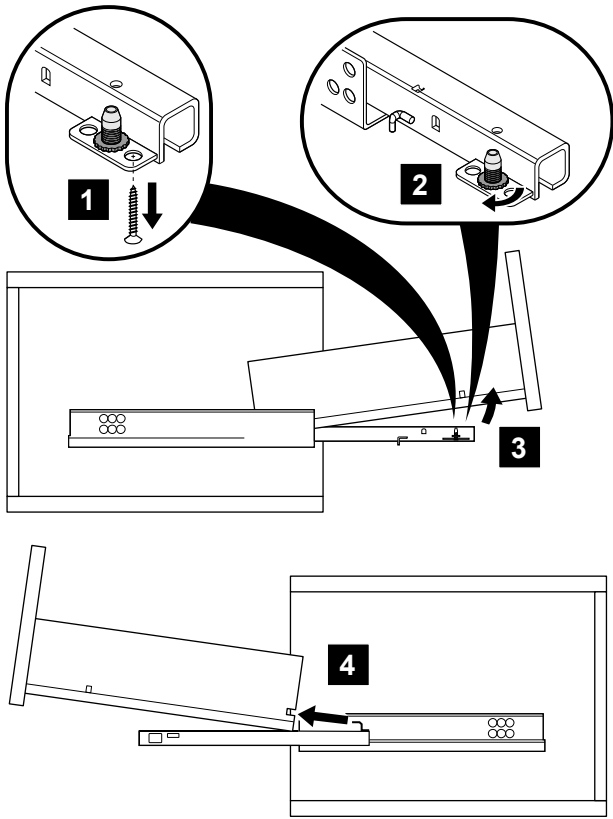


NOTE: Only use anchors (J) if stud (2"x4" frame) is not available.

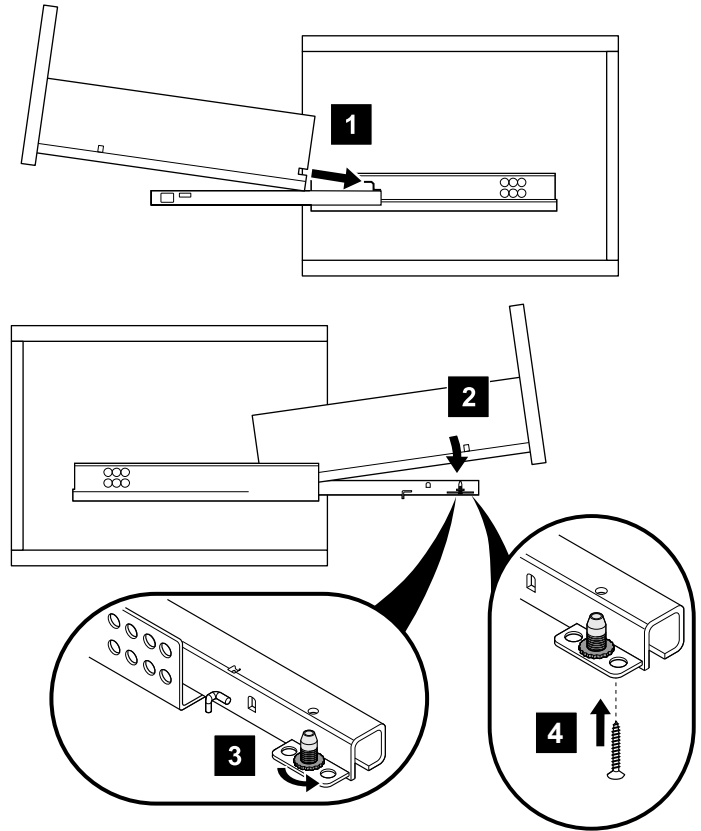


DRAWER REMOVAL & INSTALLATION

REMOVAL

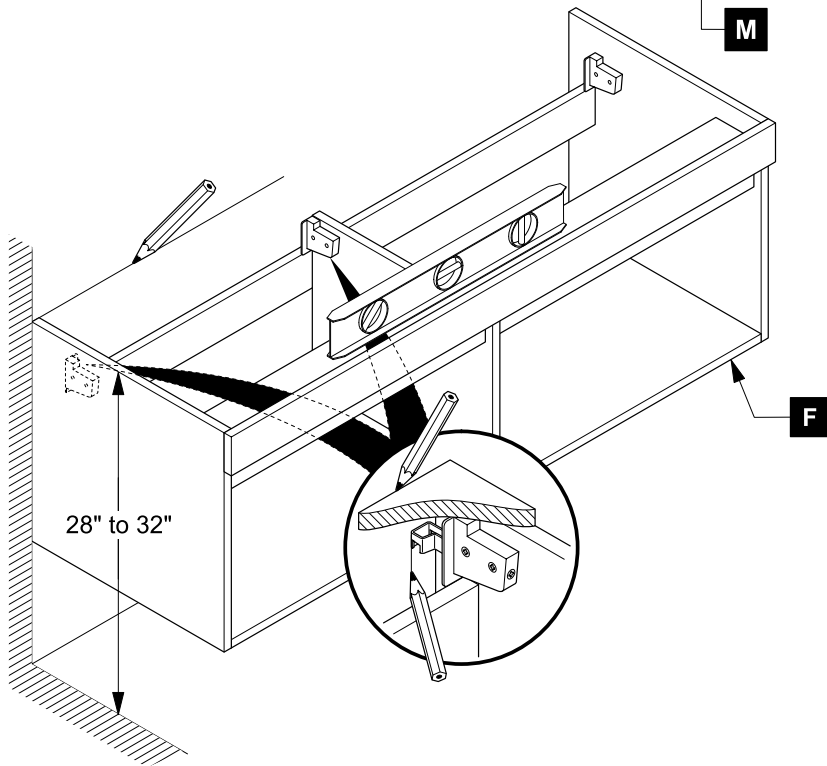
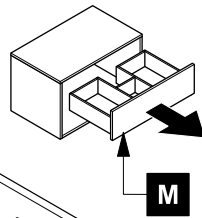


INSTALLATION



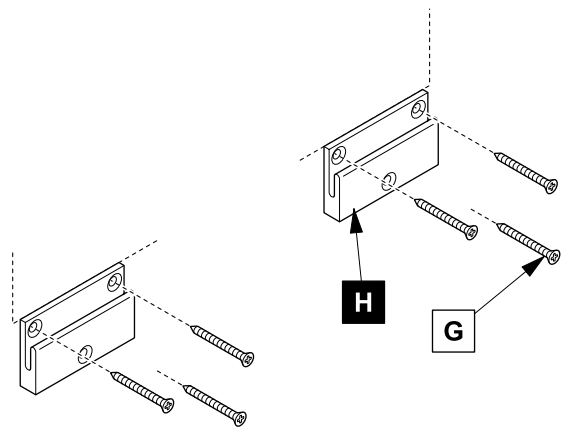
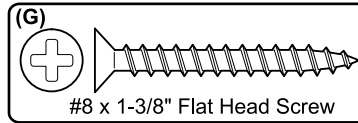
1 Remove drawer (M)

2 Locate cabinet (F) & mark location



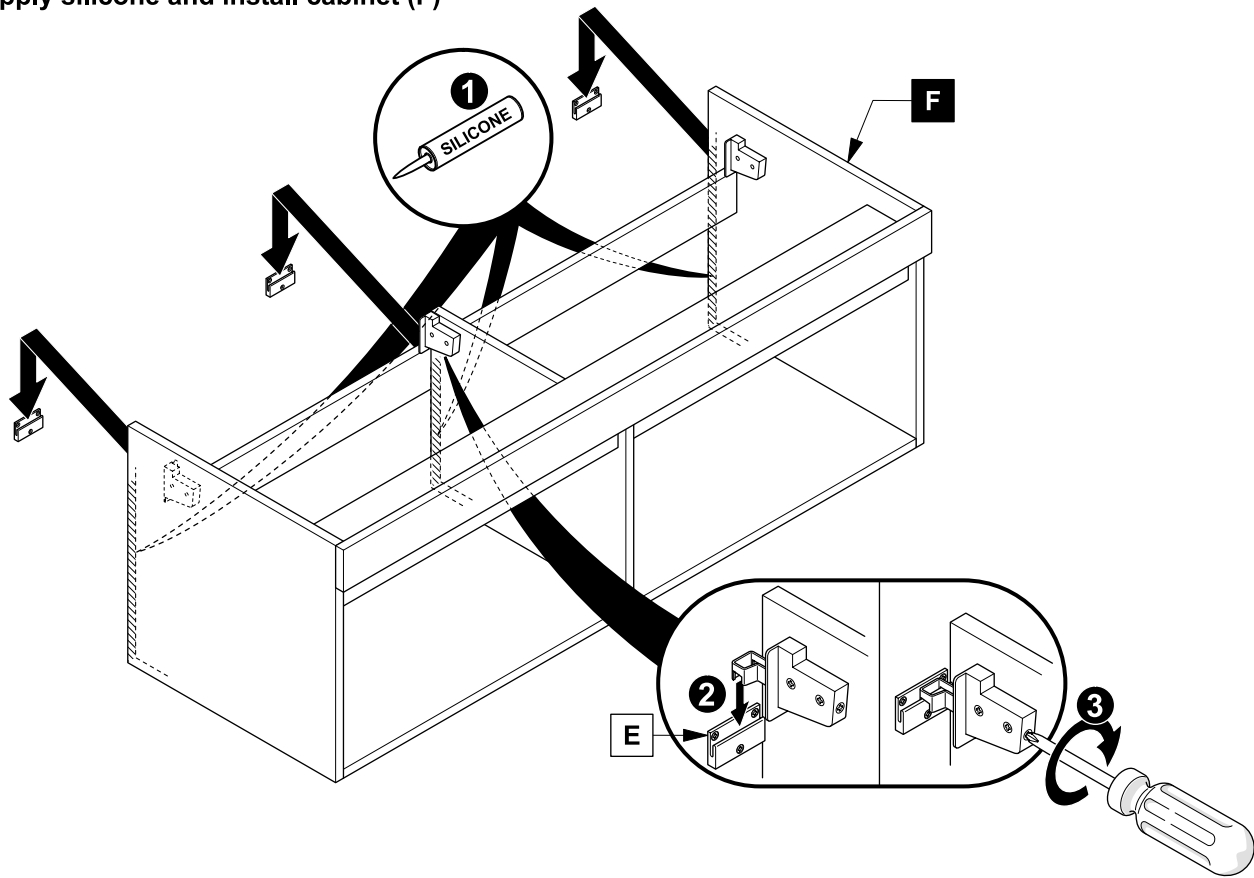
3 Install wall brackets (H)

IMPORTANT: Consult an expert for the proper screws/bolts to use when attaching to various wall constructions. Screws provided do not attach to all wall construction types.



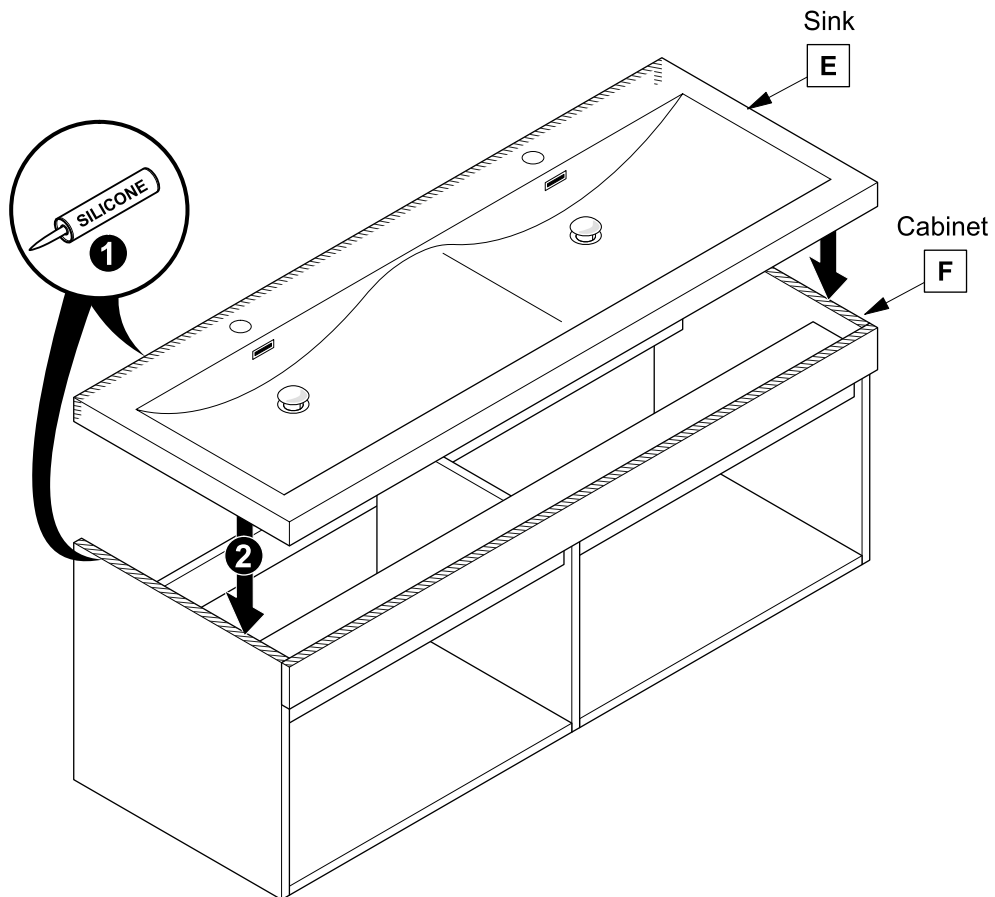
4

Apply silicone and install cabinet (F)



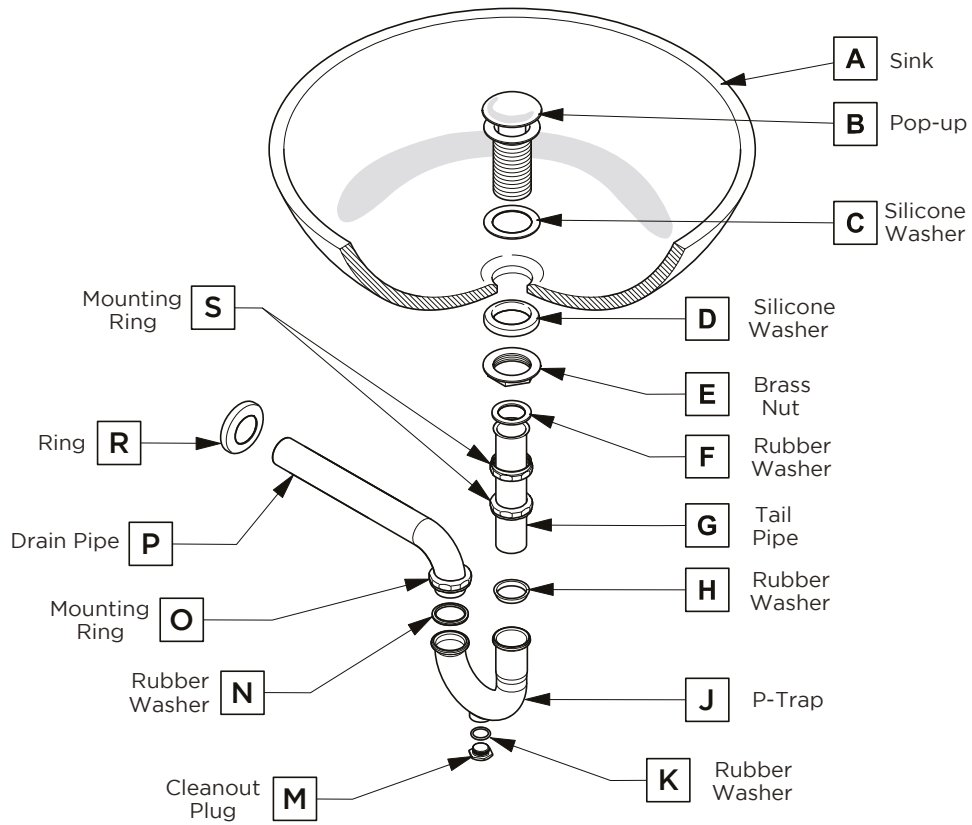
5

Apply silicone and install sink (E)



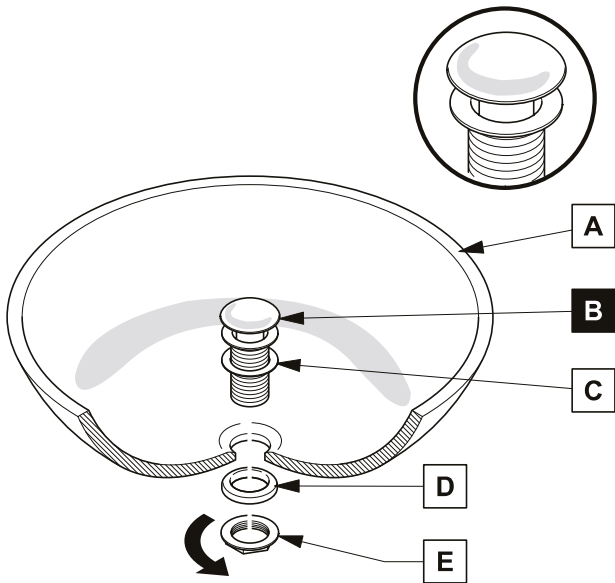
P-TRAP AND POP-UP INSTALLATION INSTRUCTIONS

Your item may appear slightly different from the illustration



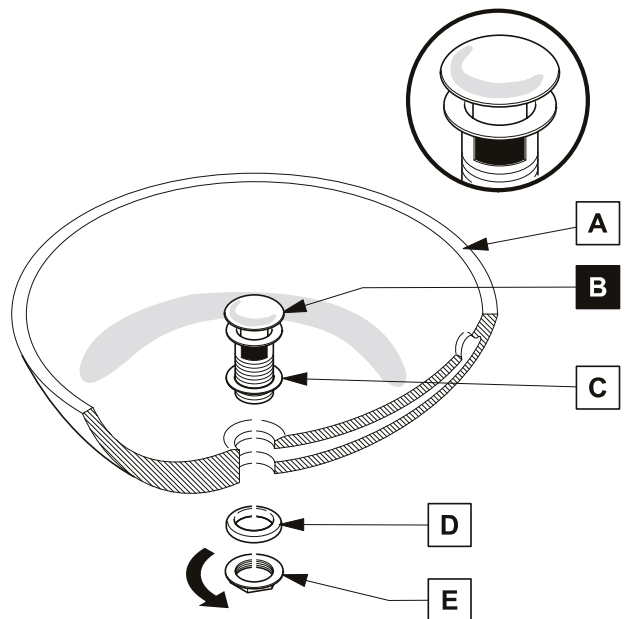
POP-UP INSTALLATION

FOR SINKS WITHOUT OVERFLOW



OR

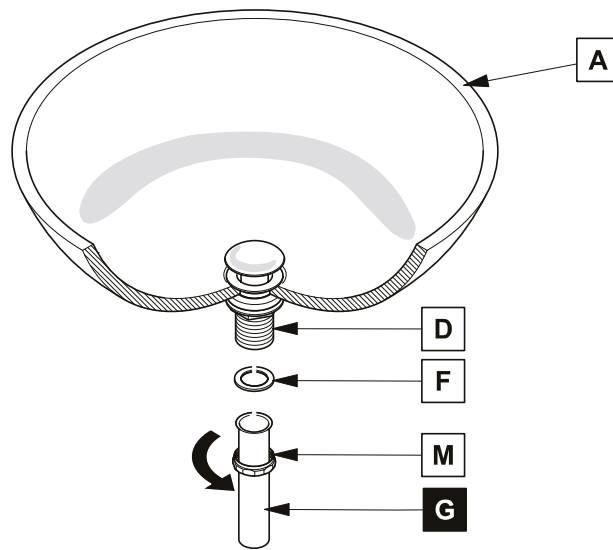
FOR SINKS WITH OVERFLOW



P-TRAP INSTALLATION

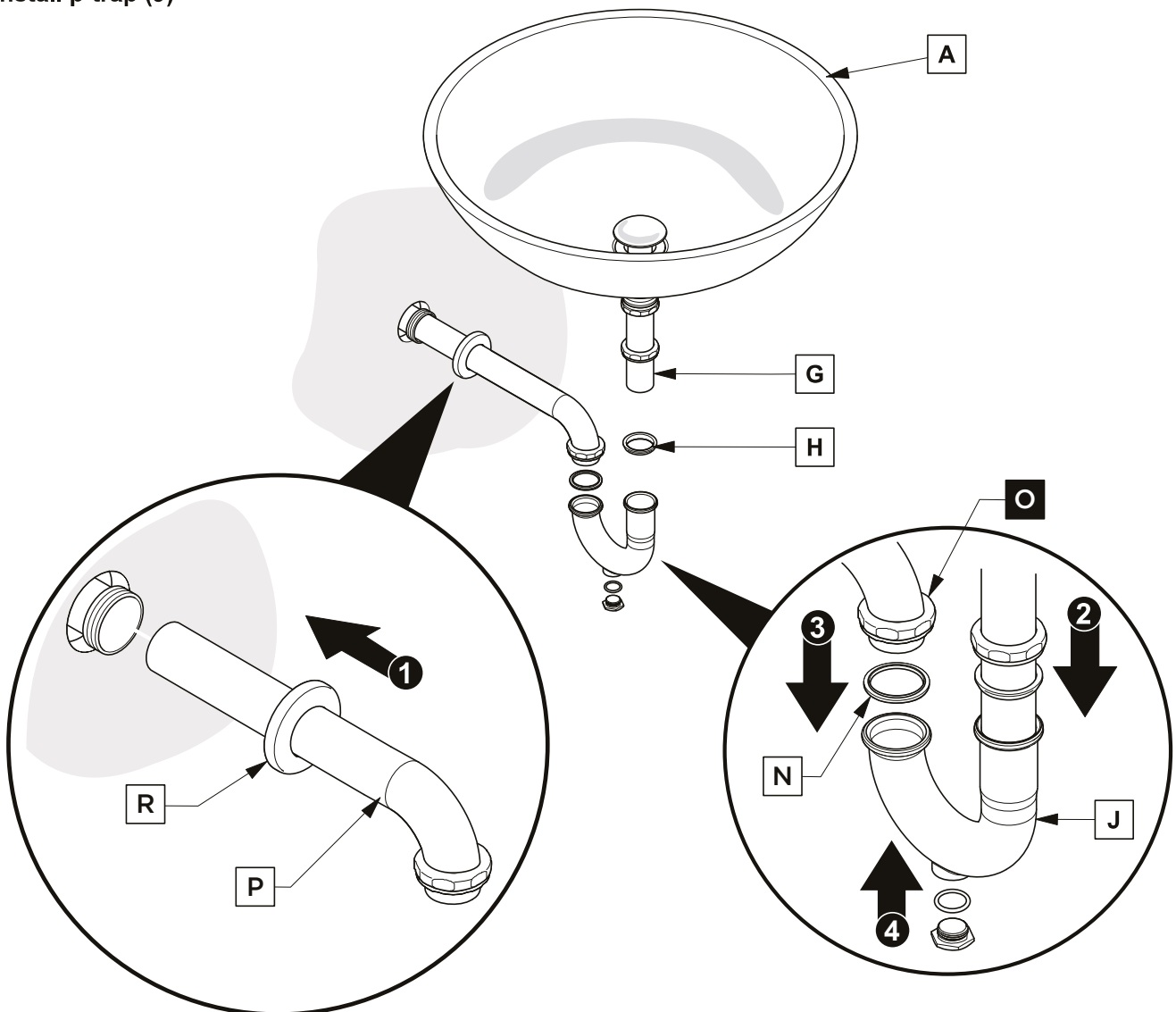
1

Install tail pipe (G)



2

Install p-trap (J)



LARGO

INSTALLATION GUIDE

PAGE 6