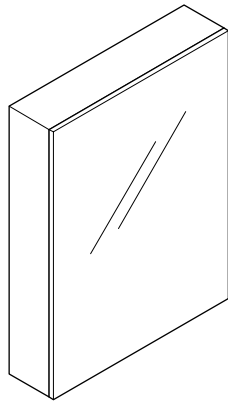
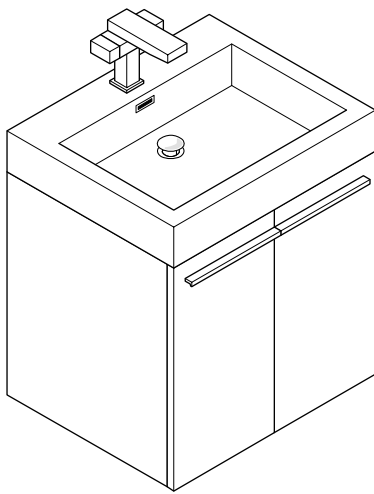
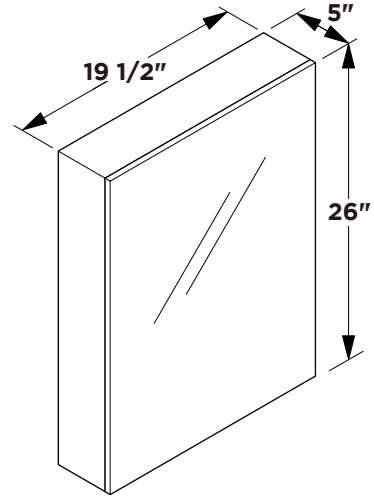


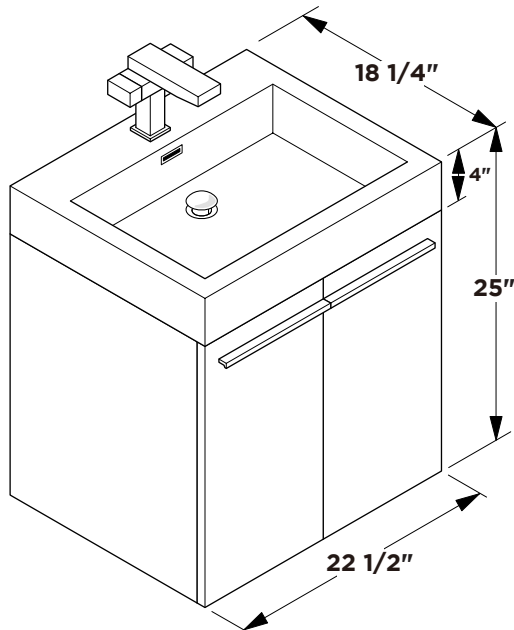
FVN8058
ALTO
INSTALLATION GUIDE



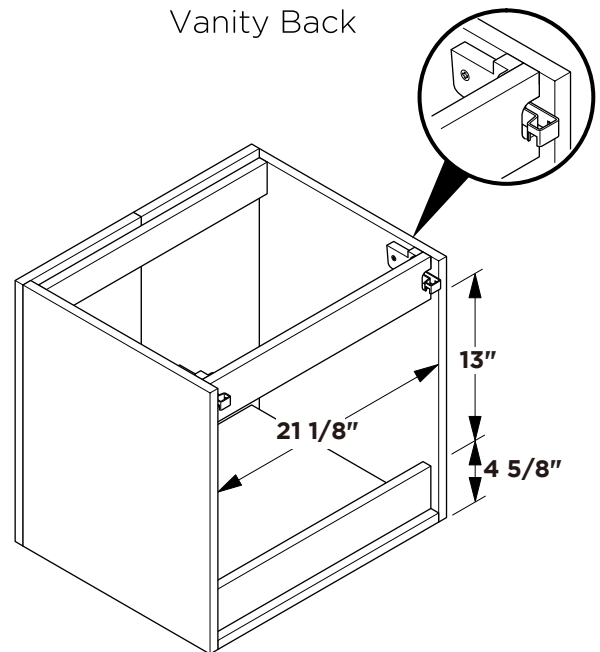
Medicine Cabinet



Vanity Front

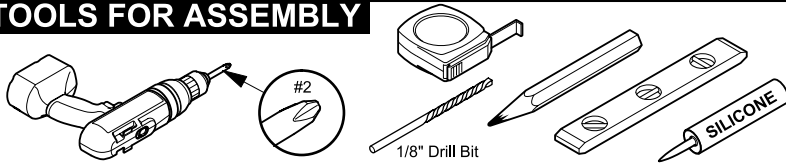


Vanity Back

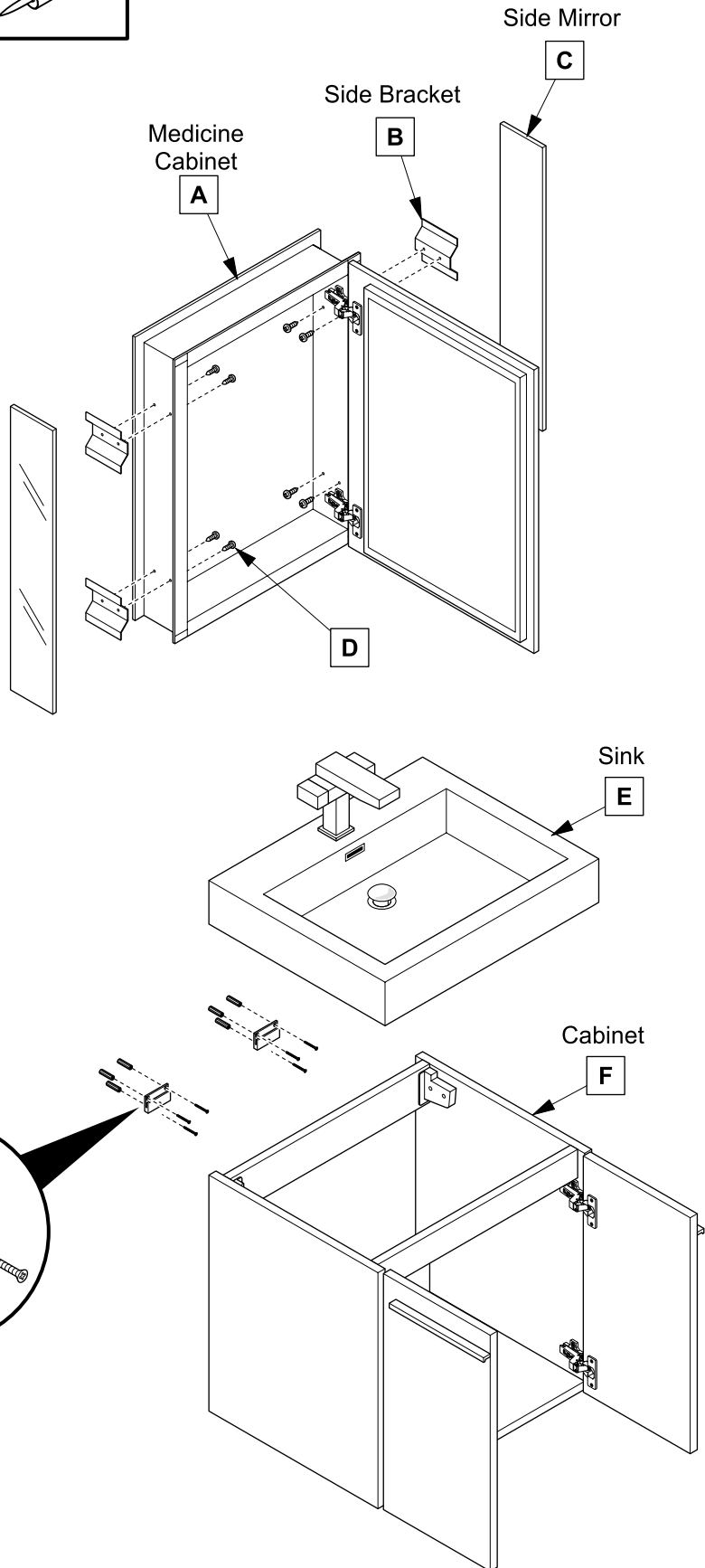
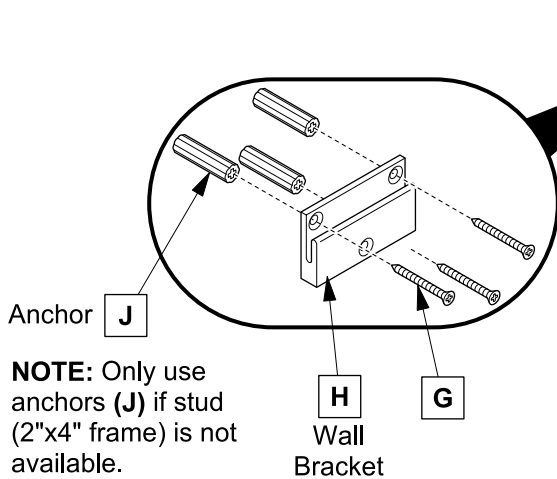
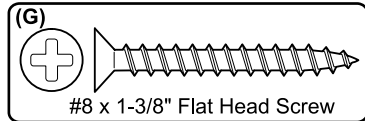
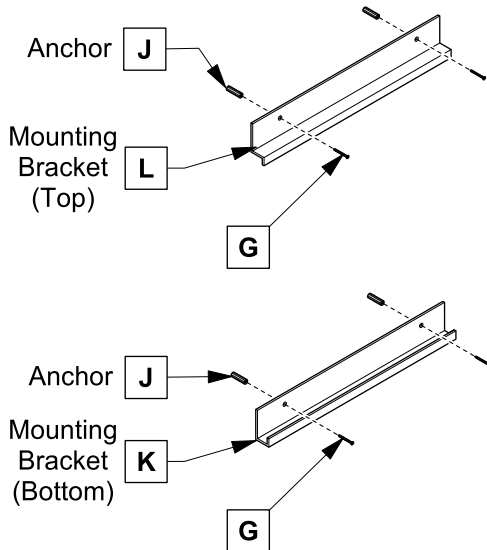


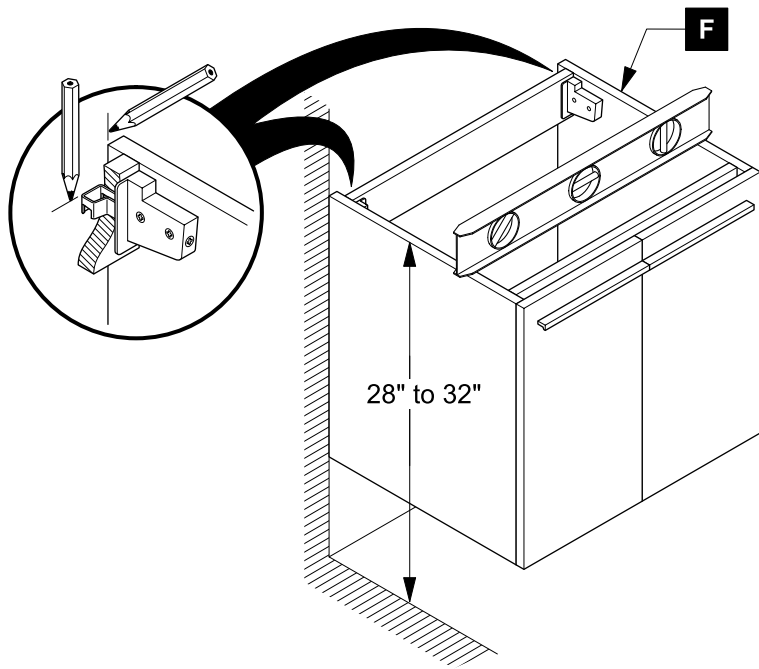
Note: All dimensions and specifications are approximate and subject to change without notice.

TOOLS FOR ASSEMBLY

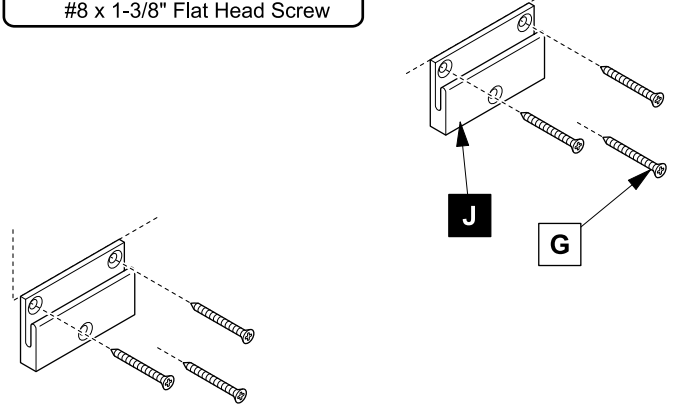
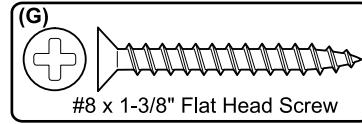
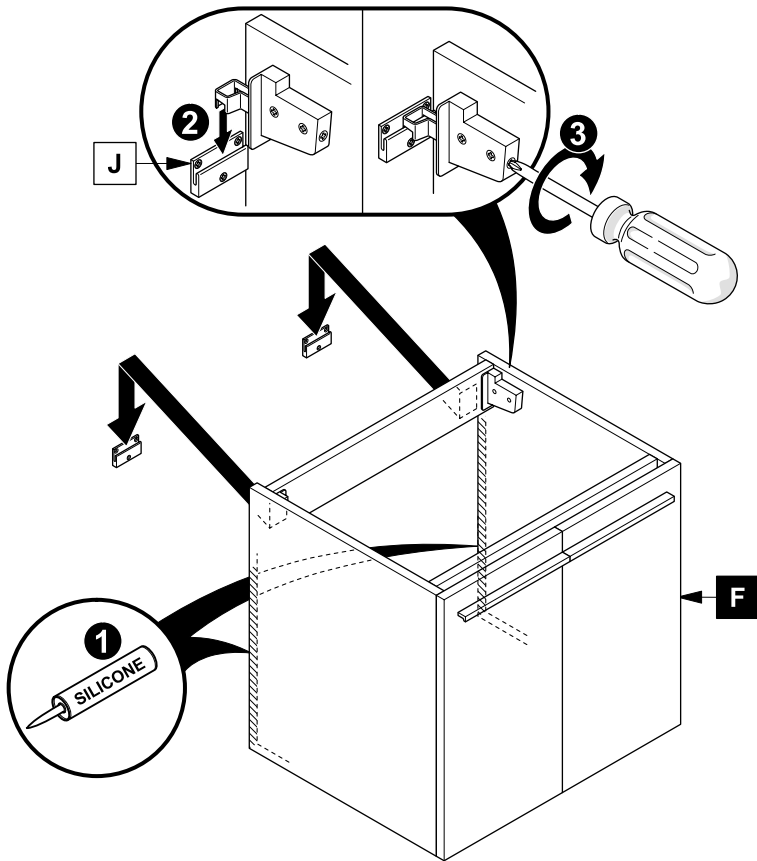
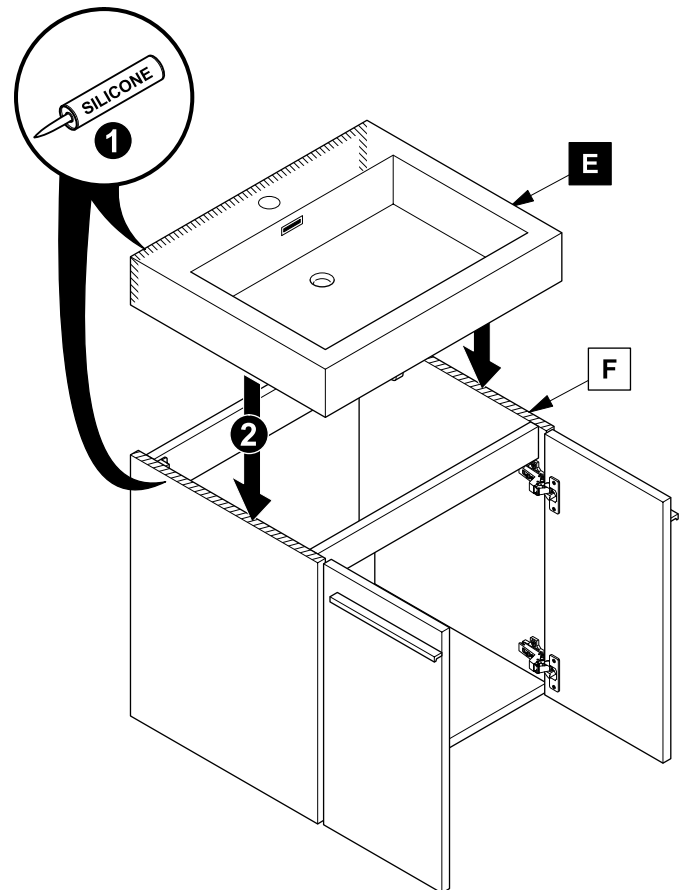


PARTS



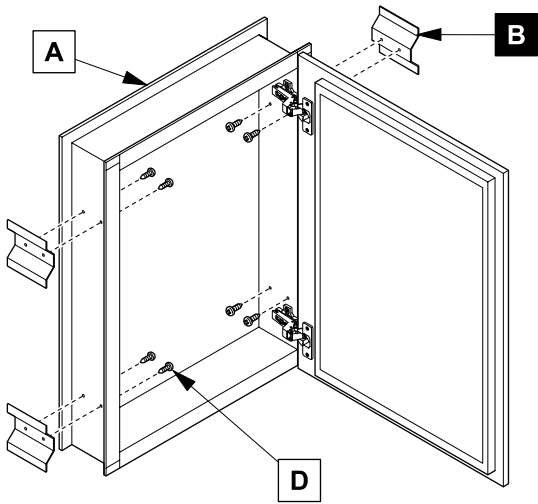
1**Locate cabinet (C) & mark location****2****Install wall brackets (J)**

IMPORTANT: Consult an expert for the proper screws/bolts to use when attaching to various wall constructions. Screws provided do not attach to all wall construction types.

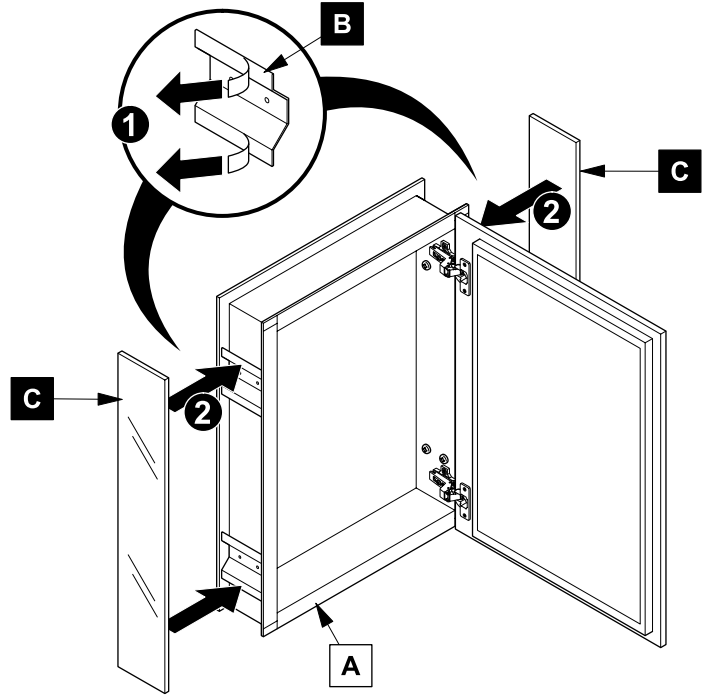
**3****Apply silicone and install cabinet (F)****4****Apply silicone and install sink (E)**

MEDICINE CABINET INSTALLATION

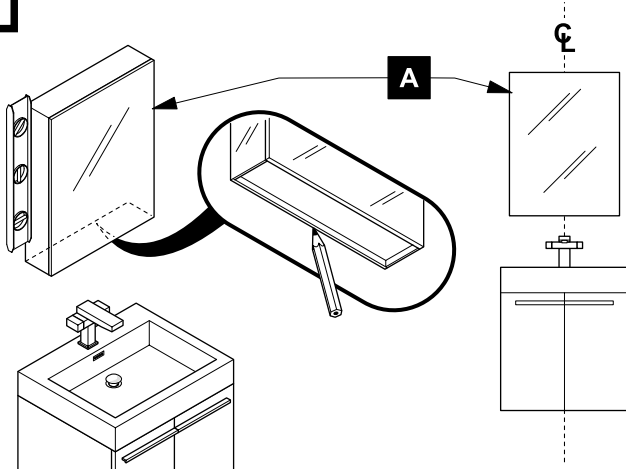
1 Install side brackets (B)



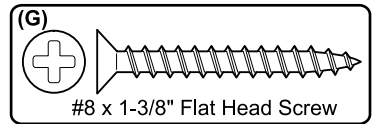
2 Install side mirrors (C)



3 Mark cabinet (A) location

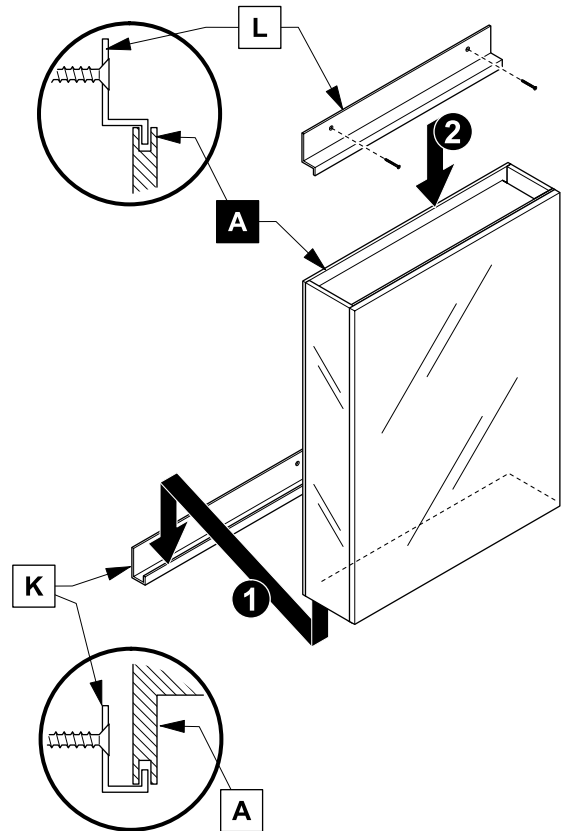
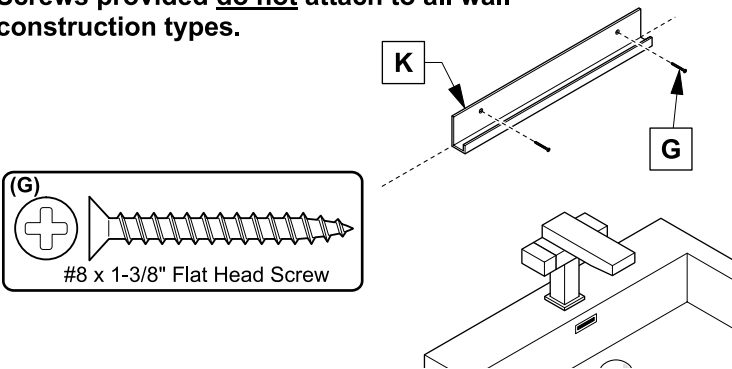


5 Install cabinet (A)



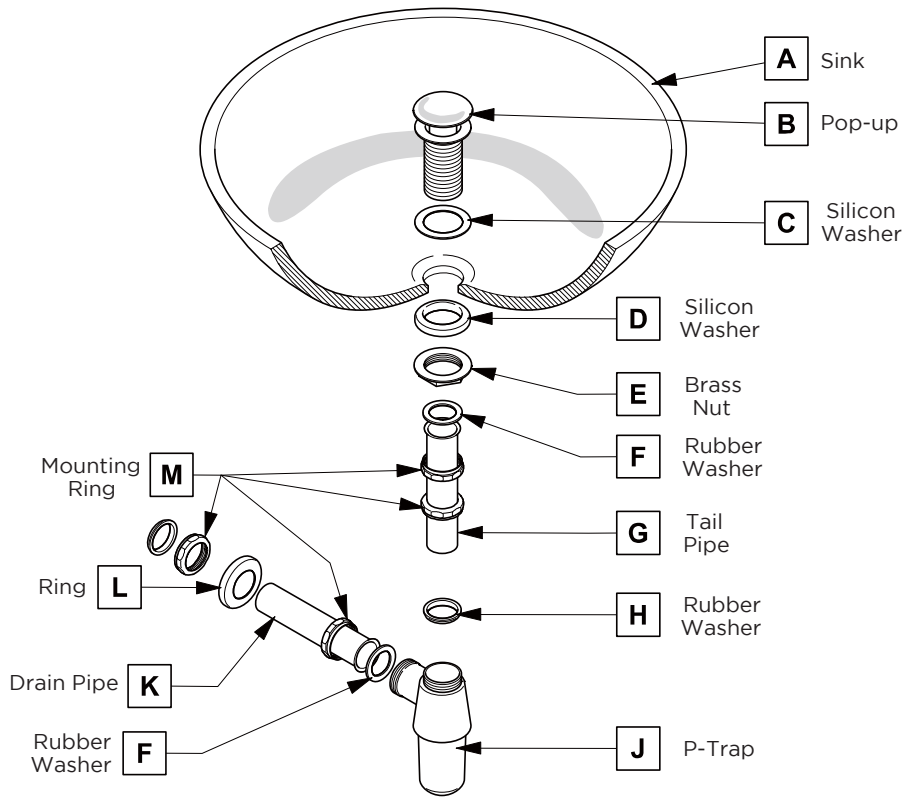
4 Install bottom bracket (K)

IMPORTANT: Consult an expert for the proper screws/bolts to use when attaching to various wall constructions. Screws provided do not attach to all wall construction types.



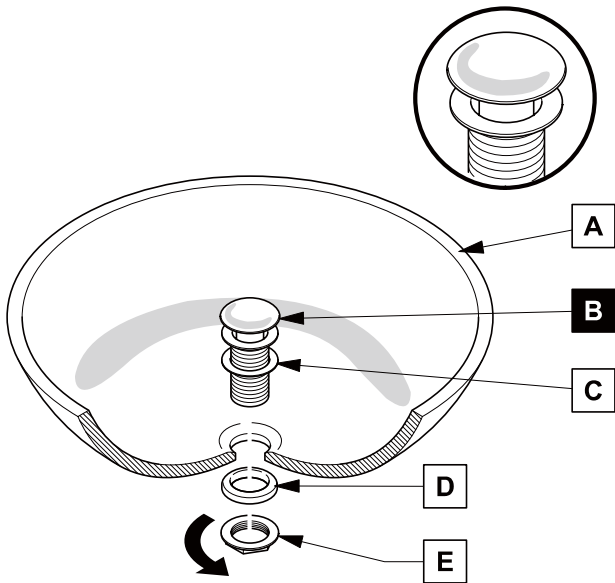
P-TRAP AND POP-UP INSTALLATION INSTRUCTIONS

Your item may appear slightly different from the illustration



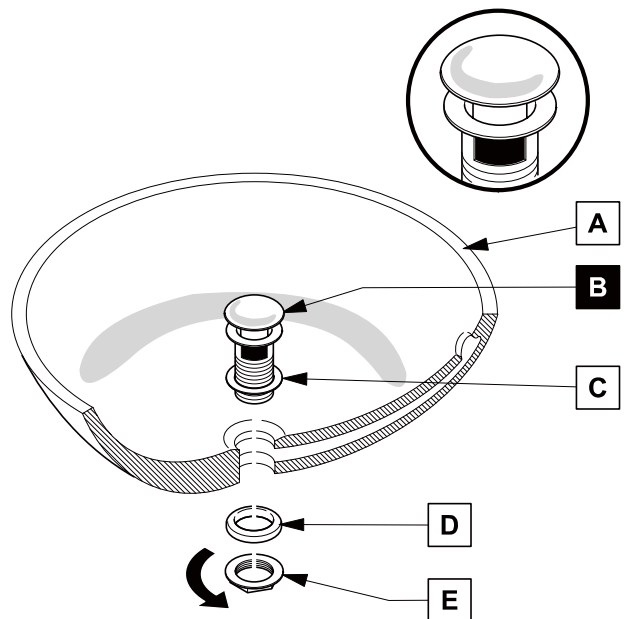
POP-UP INSTALLATION

FOR SINKS WITHOUT OVERFLOW



OR

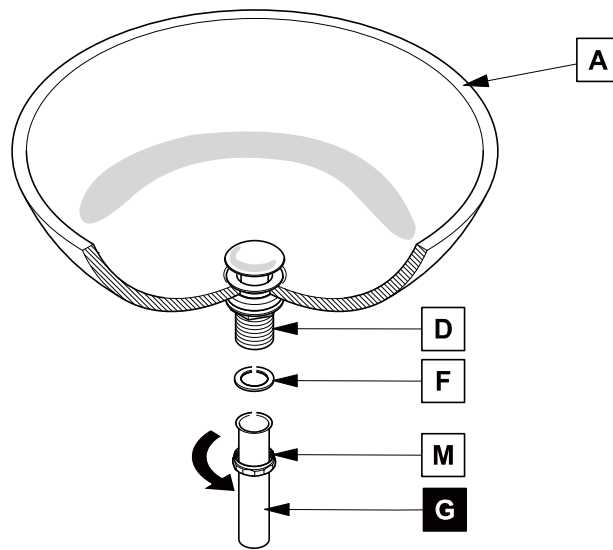
FOR SINKS WITH OVERFLOW



P-TRAP INSTALLATION

1

Install tail pipe (G)



2

Install p-trap (J)

