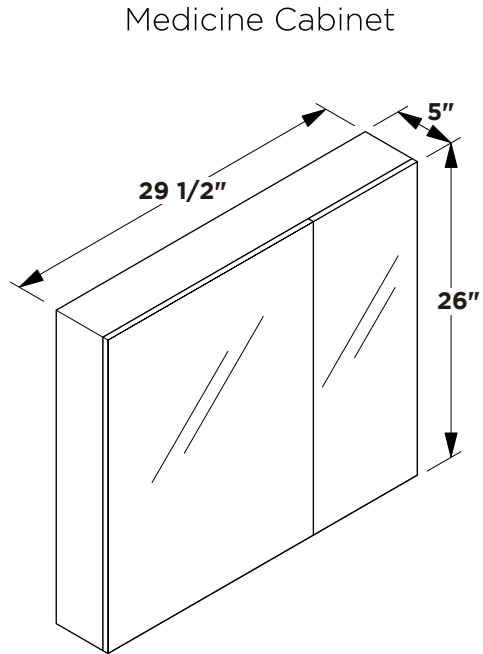
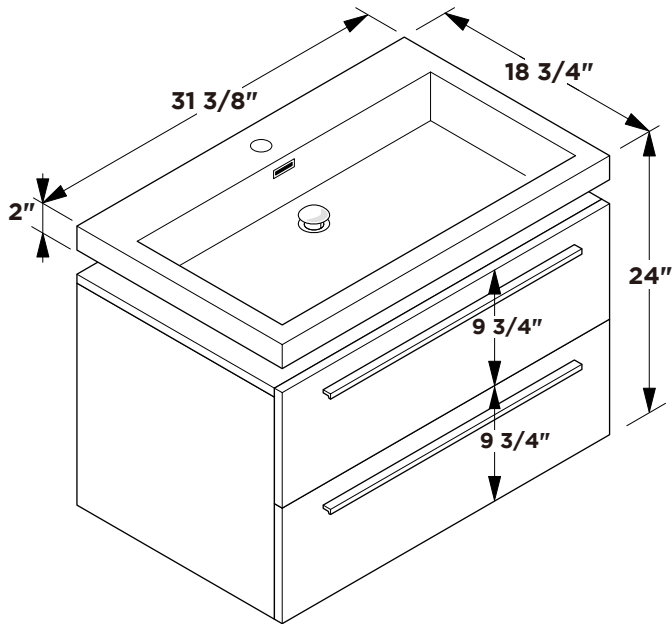


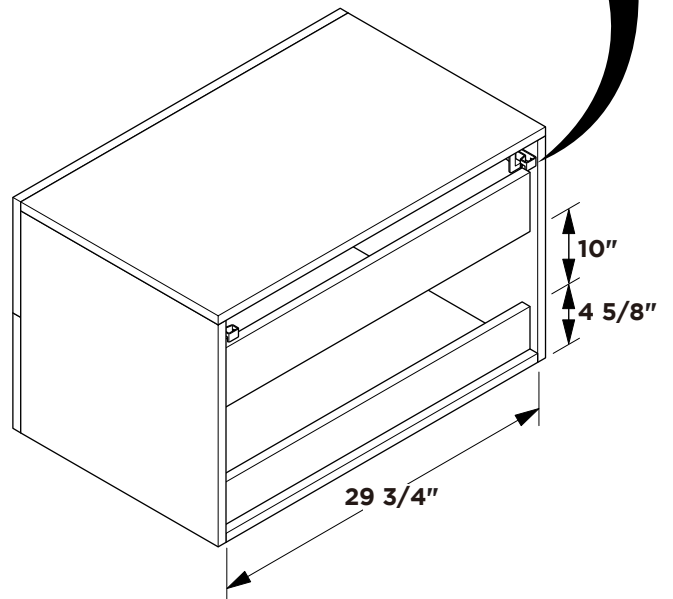
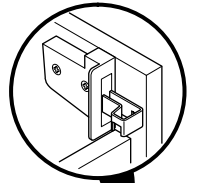
Vanity Front



Medicine Cabinet

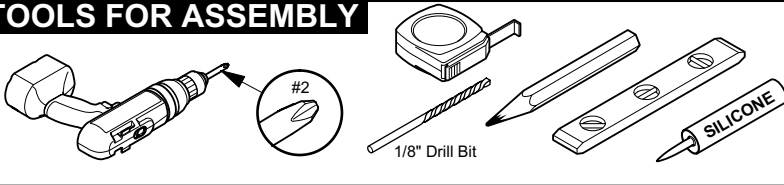


Vanity Back

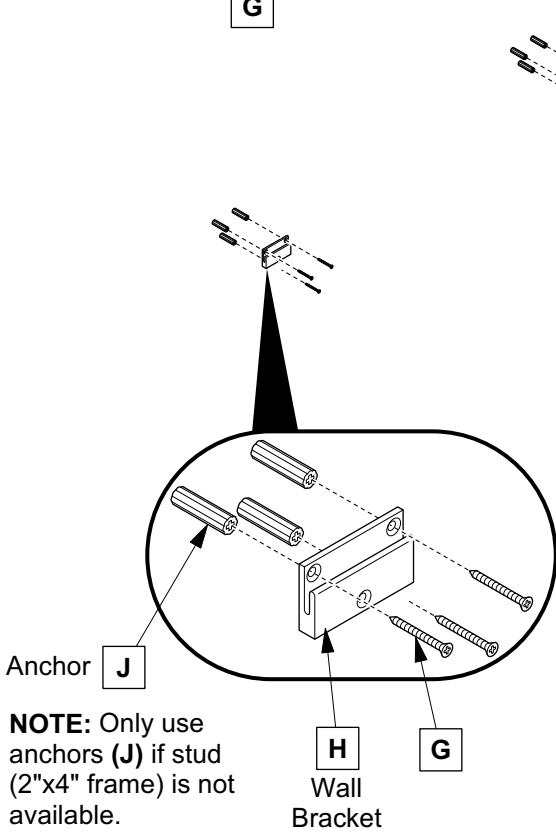
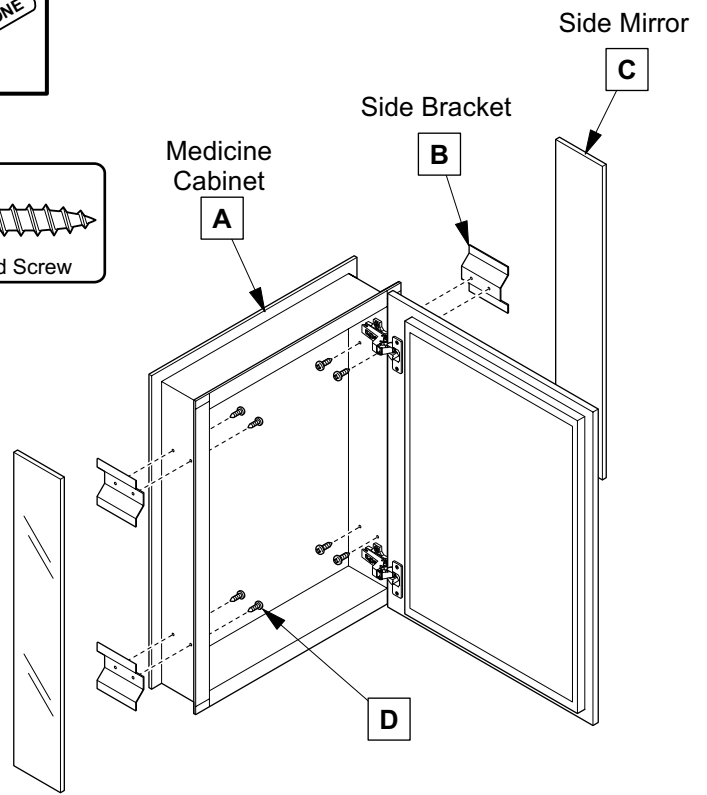
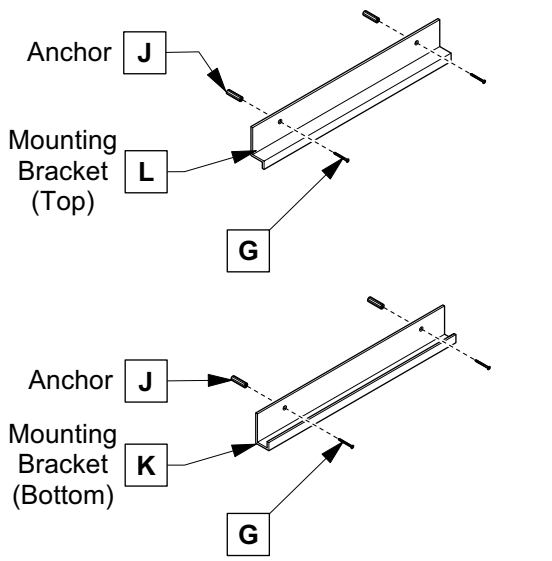
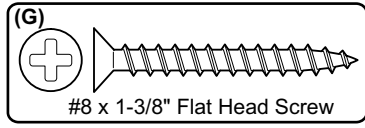


Note: All dimensions and specifications are approximate and subject to change without notice.

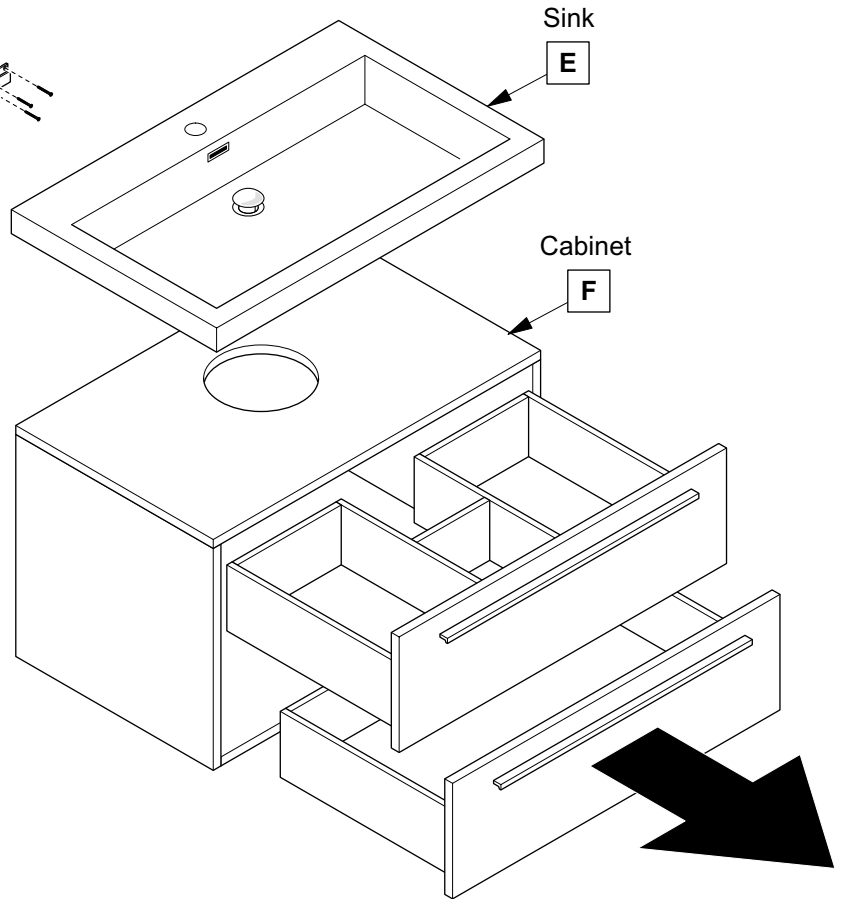
**TOOLS FOR ASSEMBLY**



**PARTS**

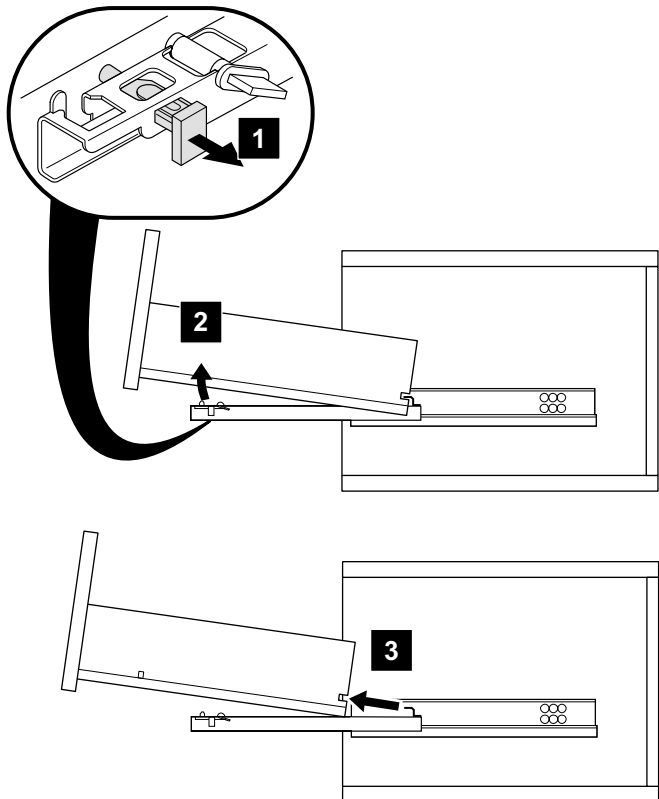


**NOTE:** Only use anchors (**J**) if stud (2"x4" frame) is not available.

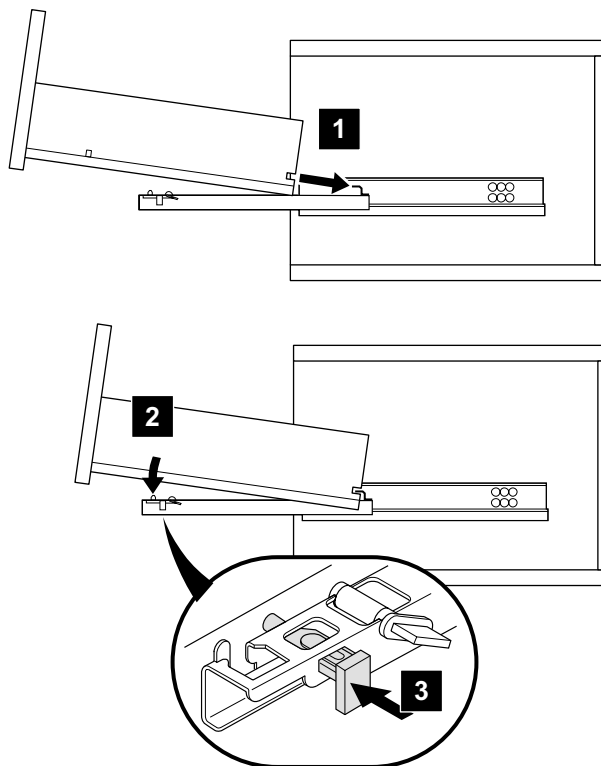


# DRAWER REMOVAL & INSTALLATION

## REMOVAL

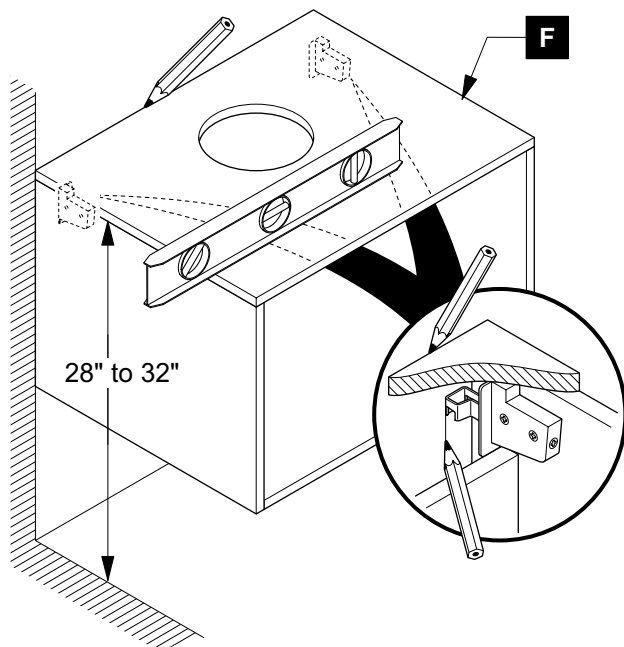
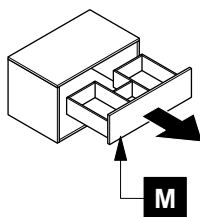


## INSTALLATION



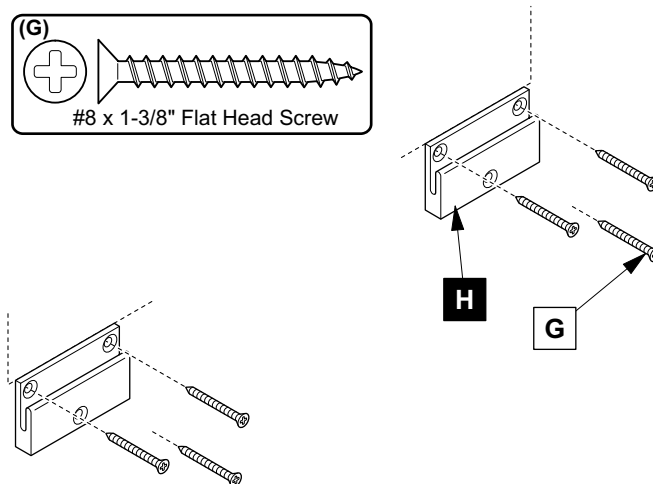
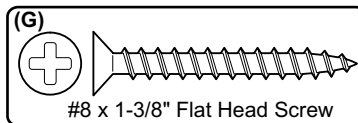
**1** Remove drawer (M)

**2** Locate cabinet (F) & mark location



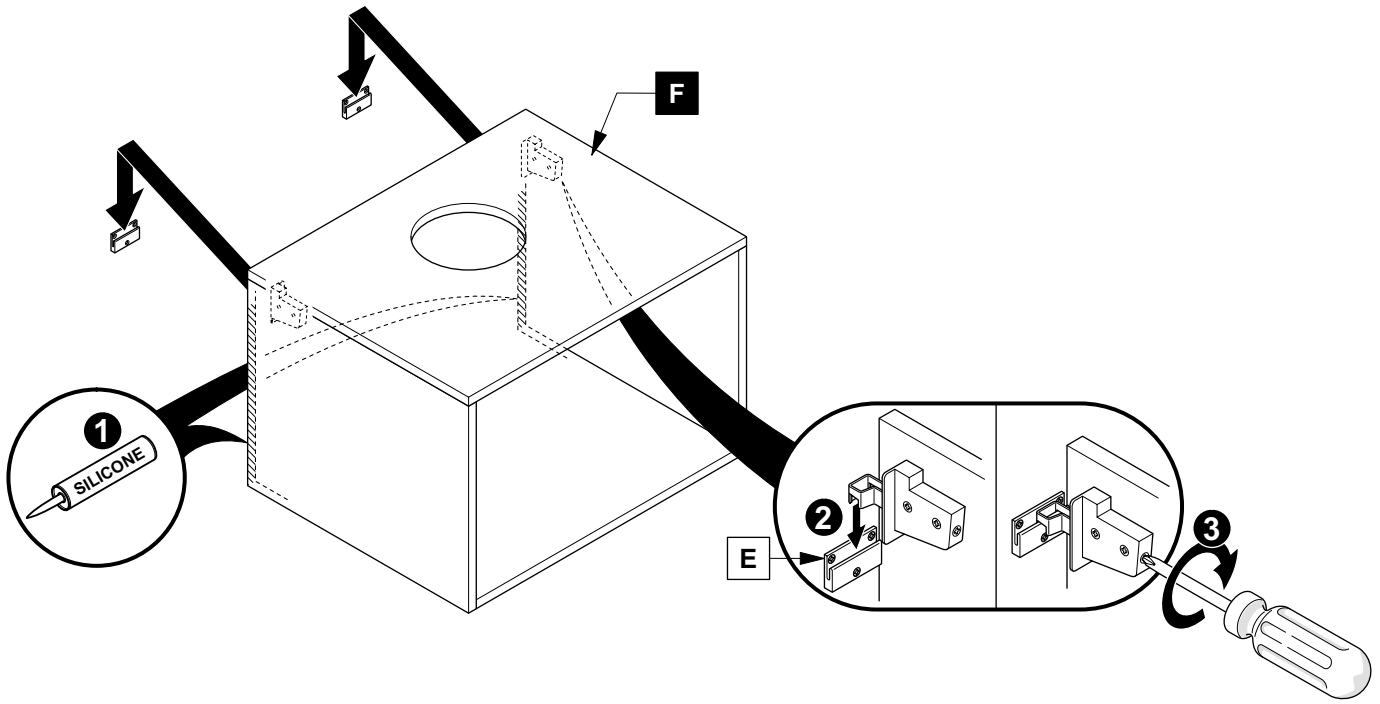
**3** Install wall brackets (H)

**IMPORTANT:** Consult an expert for the proper screws/bolts to use when attaching to various wall constructions. Screws provided do not attach to all wall construction types.



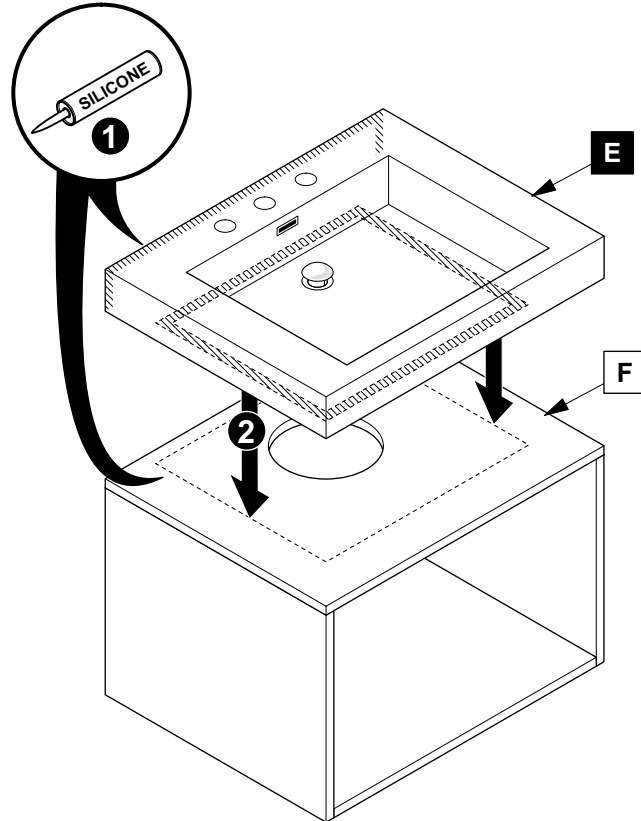
4

Apply silicone and install cabinet (F)



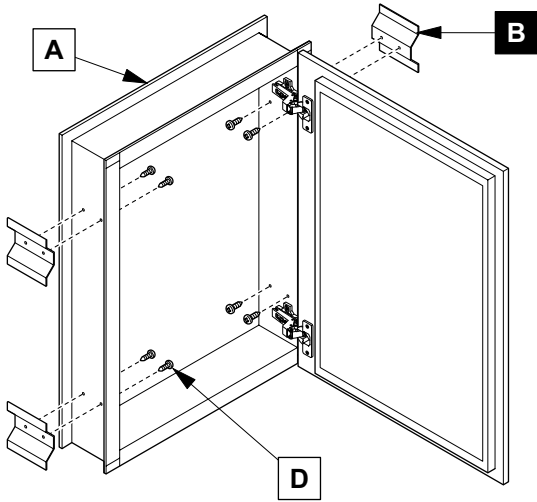
5

Apply silicone and install sink (E)

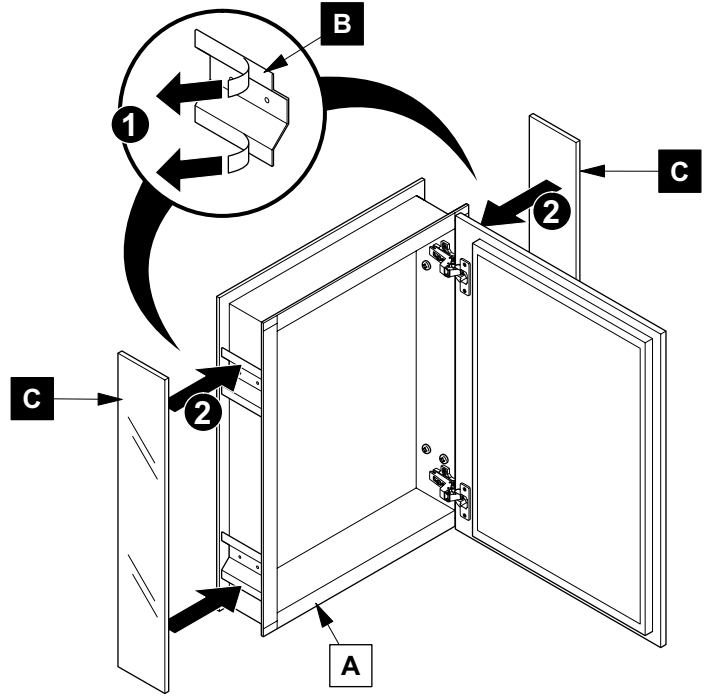


# MEDICINE CABINET INSTALLATION

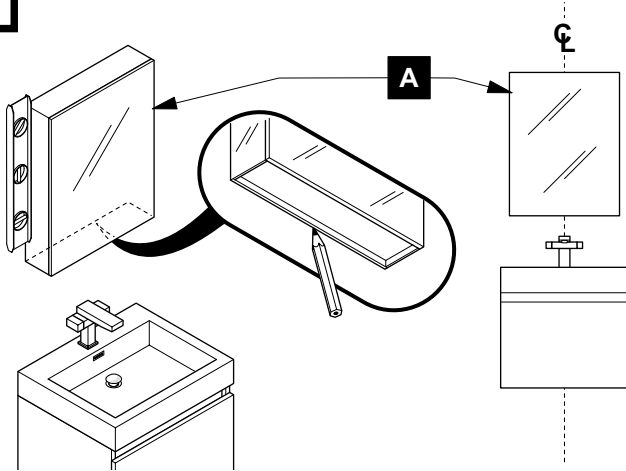
## 1 Install side brackets (B)



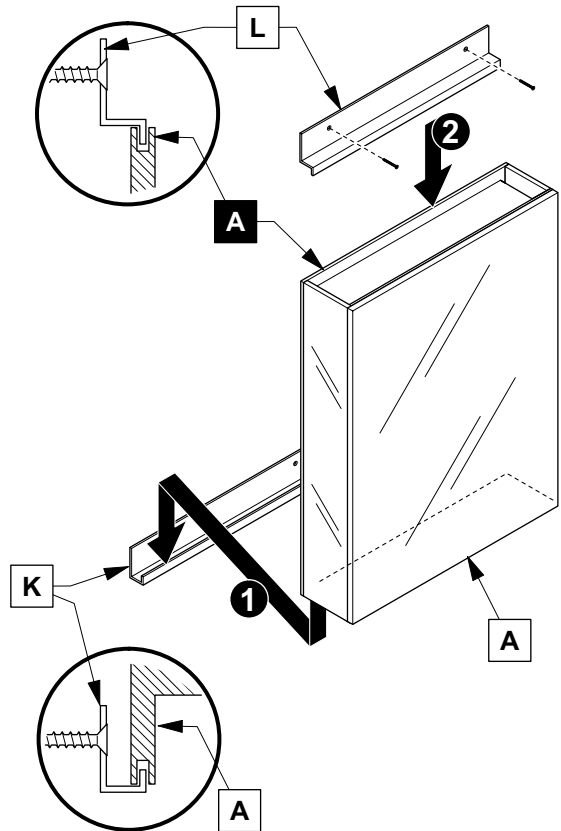
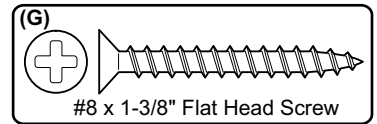
## 2 Install side mirrors (C)



## 3 Mark cabinet (A) location

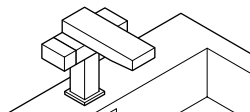
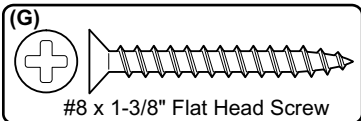
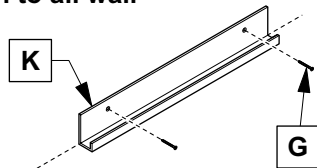


## 5 Install cabinet (A)



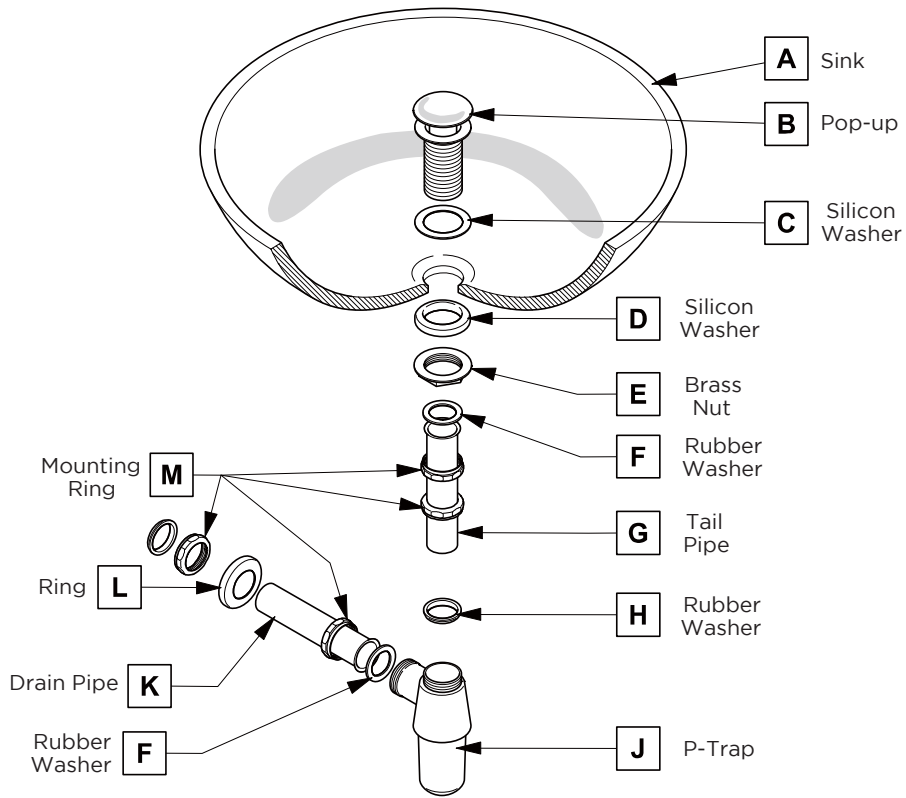
## 4 Install bottom bracket (K)

**IMPORTANT:** Consult an expert for the proper screws/bolts to use when attaching to various wall constructions. Screws provided **do not** attach to all wall construction types.



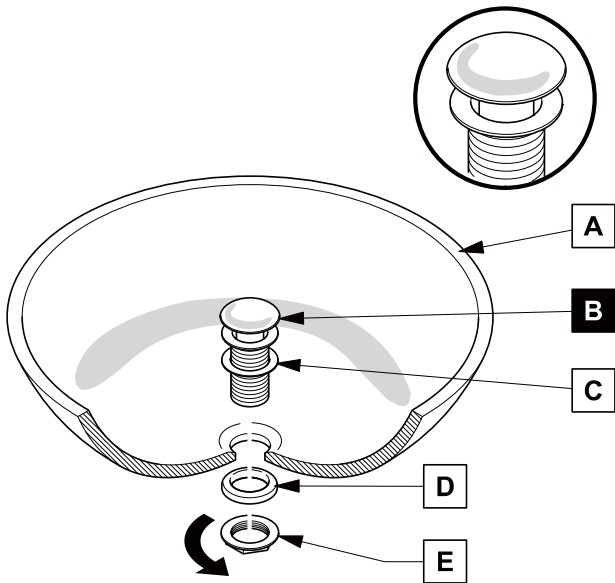
# P-TRAP AND POP-UP INSTALLATION INSTRUCTIONS

Your item may appear slightly different from the illustration



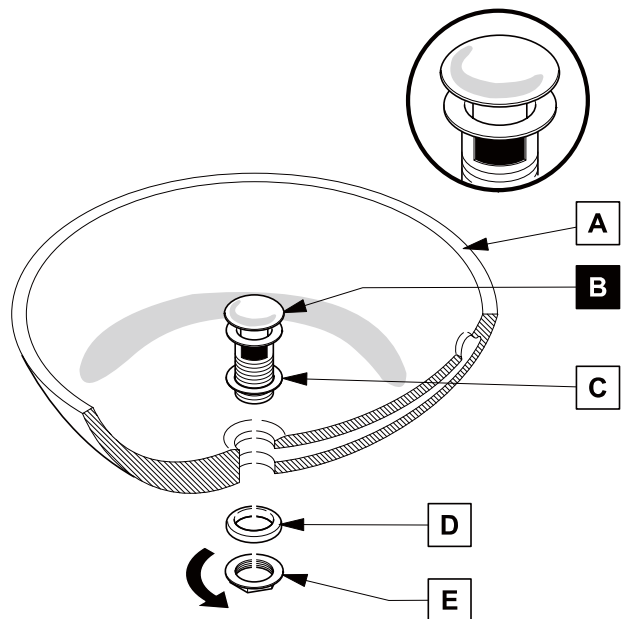
## POP-UP INSTALLATION

### FOR SINKS WITHOUT OVERFLOW



OR

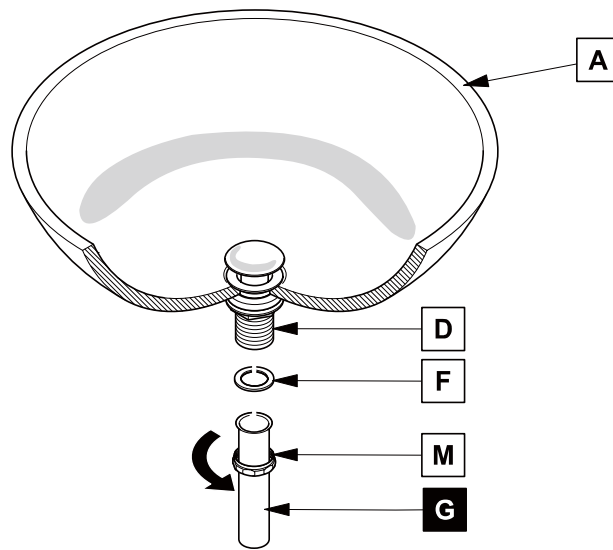
### FOR SINKS WITH OVERFLOW



# P-TRAP INSTALLATION

1

Install tail pipe (G)



2

Install p-trap (J)

