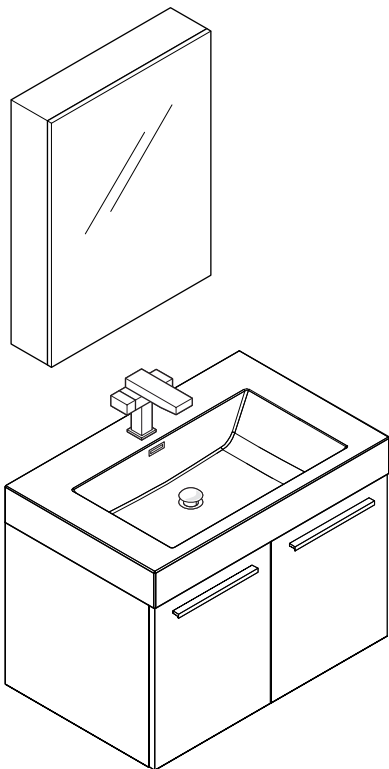
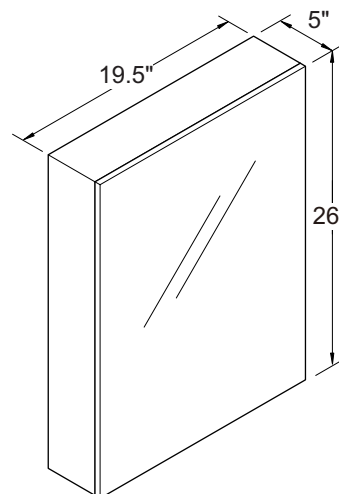


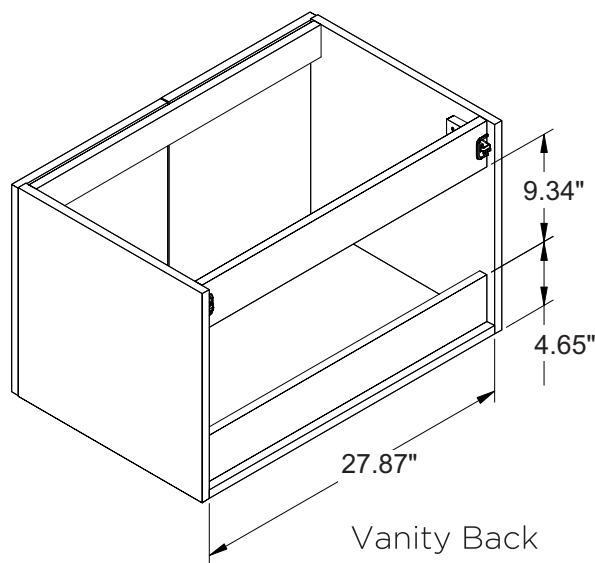
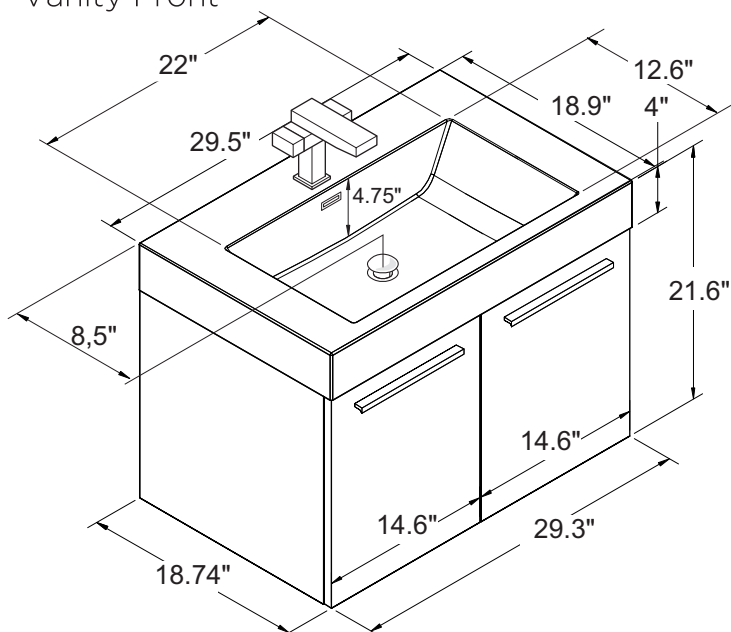
**FVN8089**  
**VISTA**  
**INSTALLATION GUIDE**



Medicine Cabinet



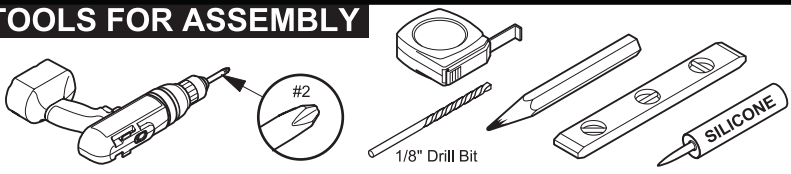
Vanity Front



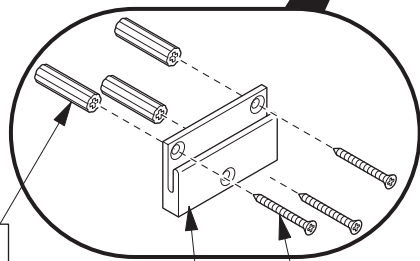
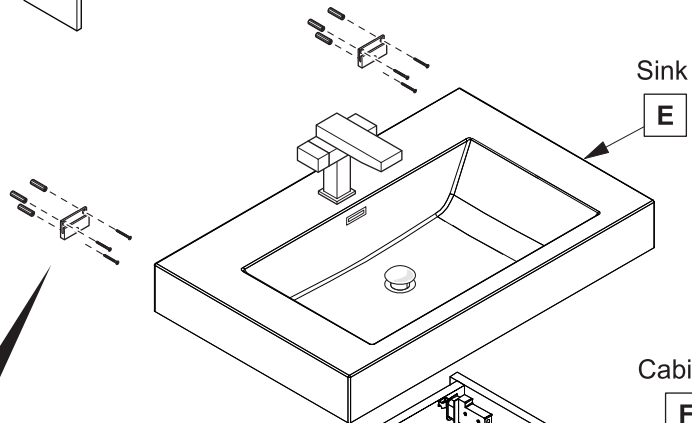
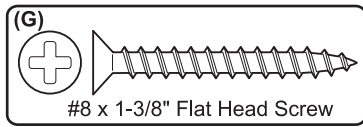
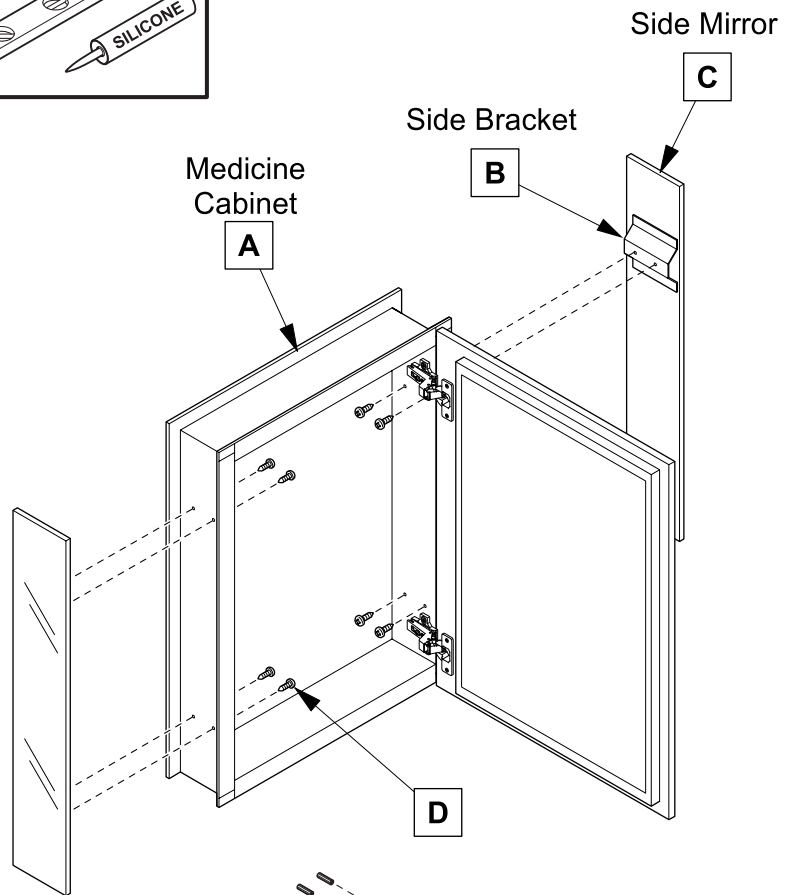
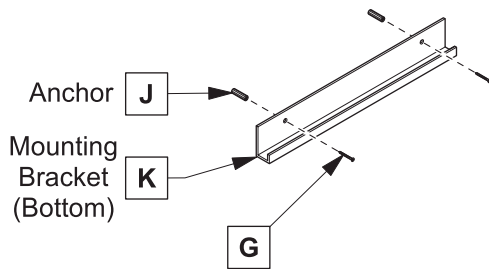
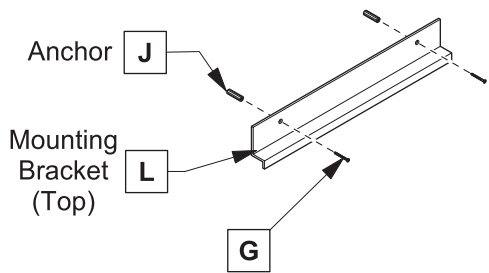
Vanity Back

 ALL DIMENSIONS & SPECIFICATIONS ARE APPROXIMATE AND SUBJECT TO CHANGE WITHOUT NOTICE.

# TOOLS FOR ASSEMBLY



## PARTS

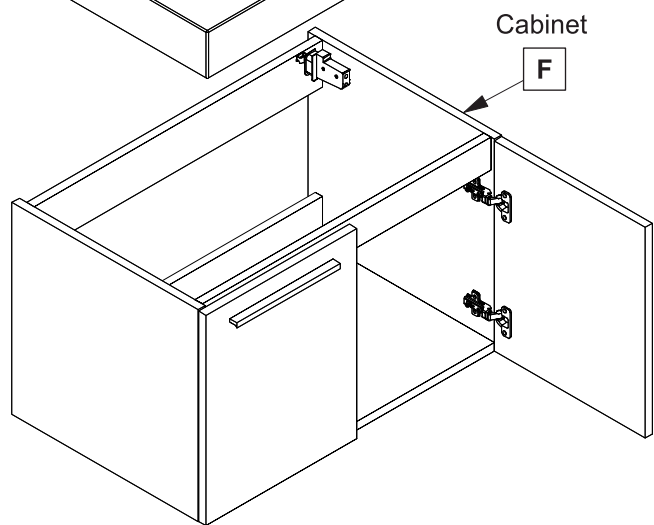


Anchor **J**

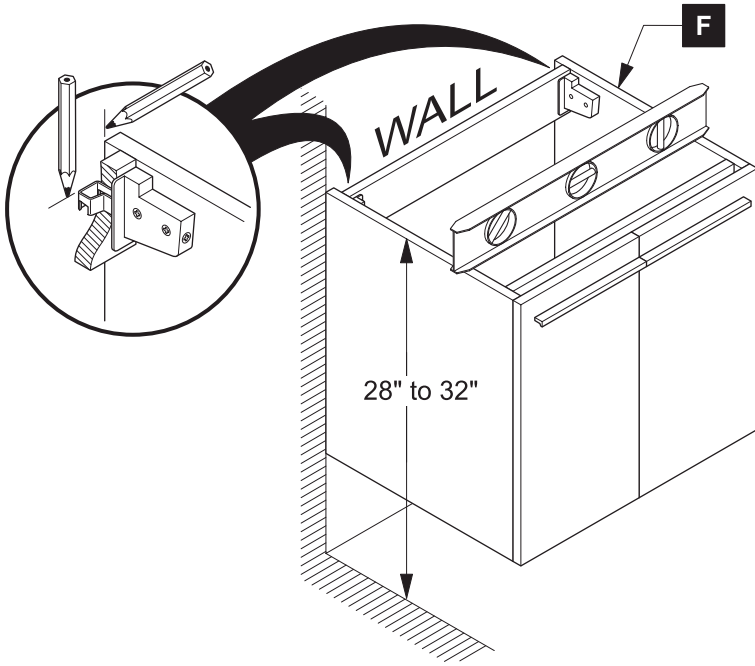
**NOTE:** Only use anchors (**J**) if stud is not available.

Wall Bracket **H**

Screw **G**

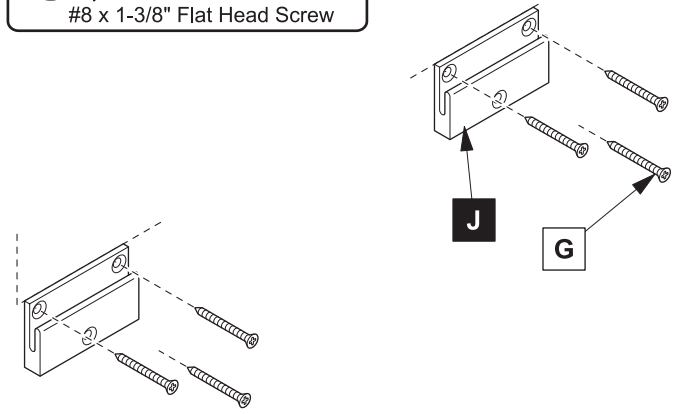
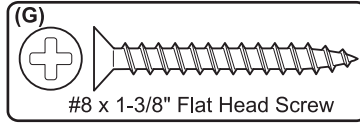


### 1 Locate cabinet (F) & mark location on the wall

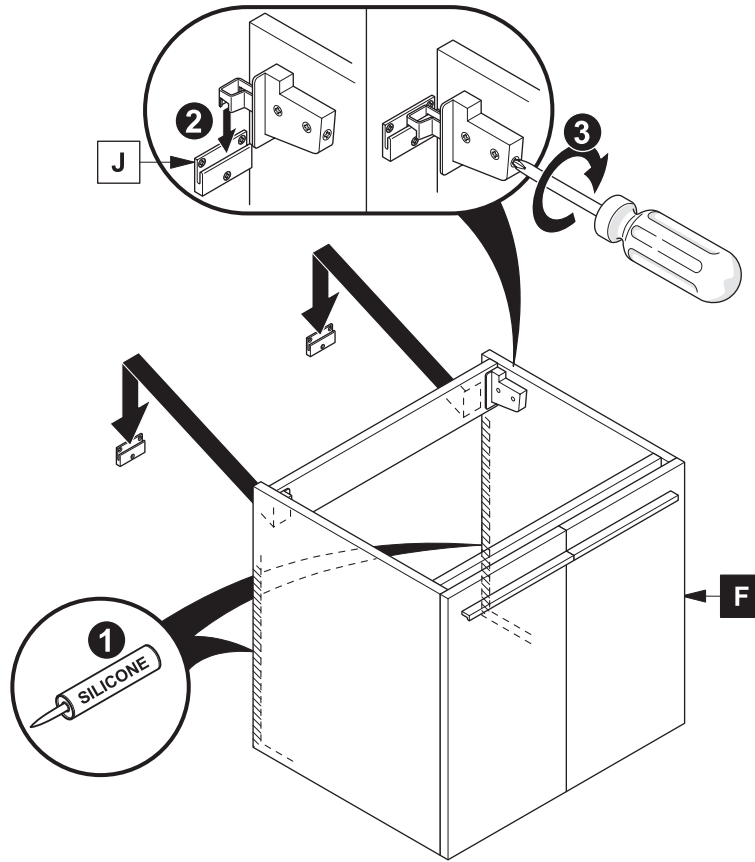


### 2 Install wall brackets (J)

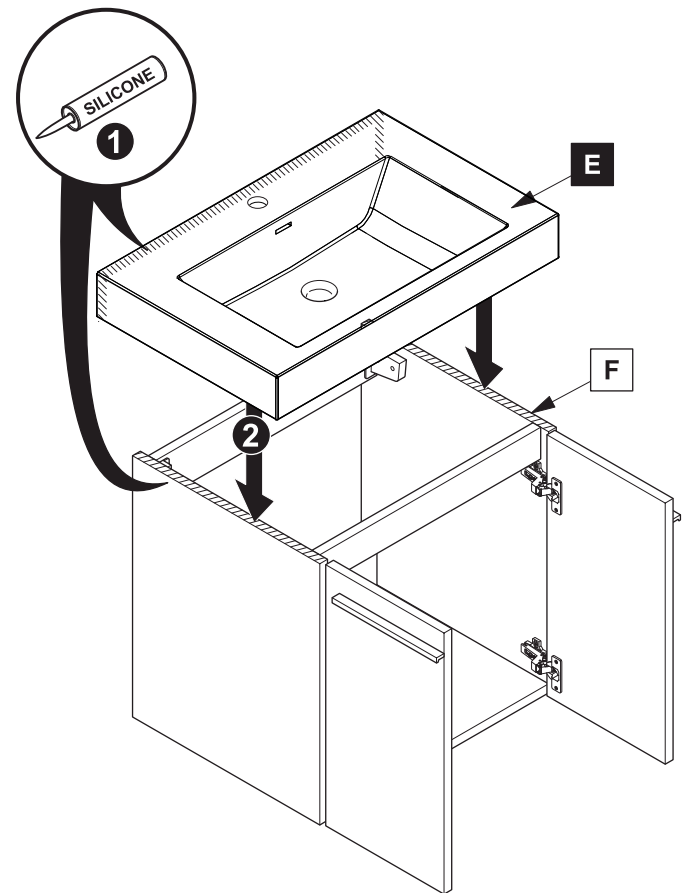
**IMPORTANT:** Consult an expert for the proper screws / bolts to use when attaching to various wall constructions. Screws provided *do not* attach to all wall construction types.



### 3

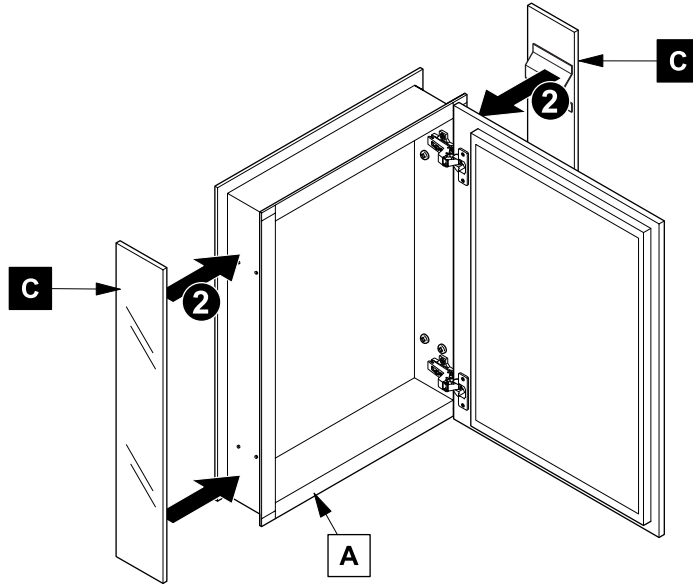


### 4 Apply silicone and install sink (E)

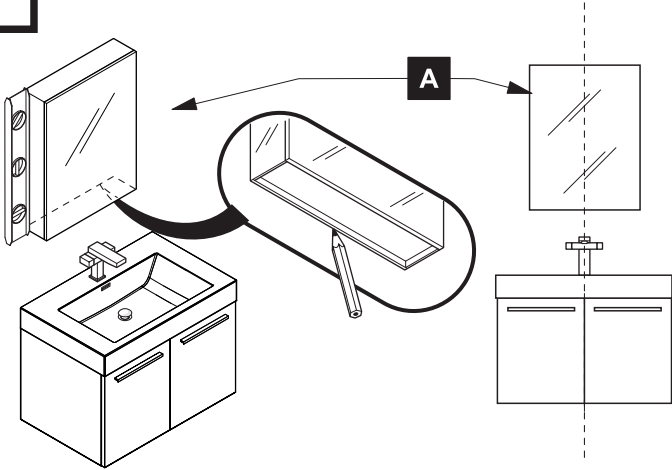


# MEDICINE CABINET INSTALLATION

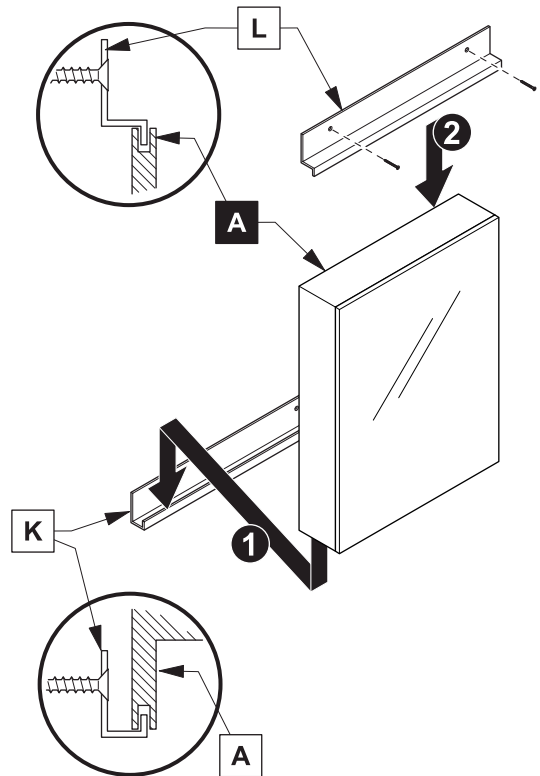
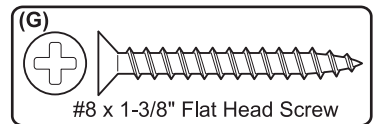
## 1 Install side mirrors (C)



## 2 Mark cabinet (A) location

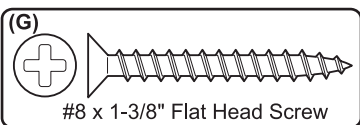
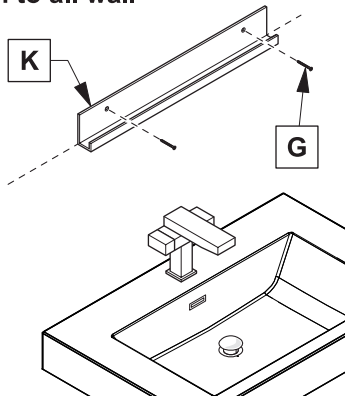


## 4 Install cabinet (A) and top bracket (L)



## 3 Install bottom bracket (K)

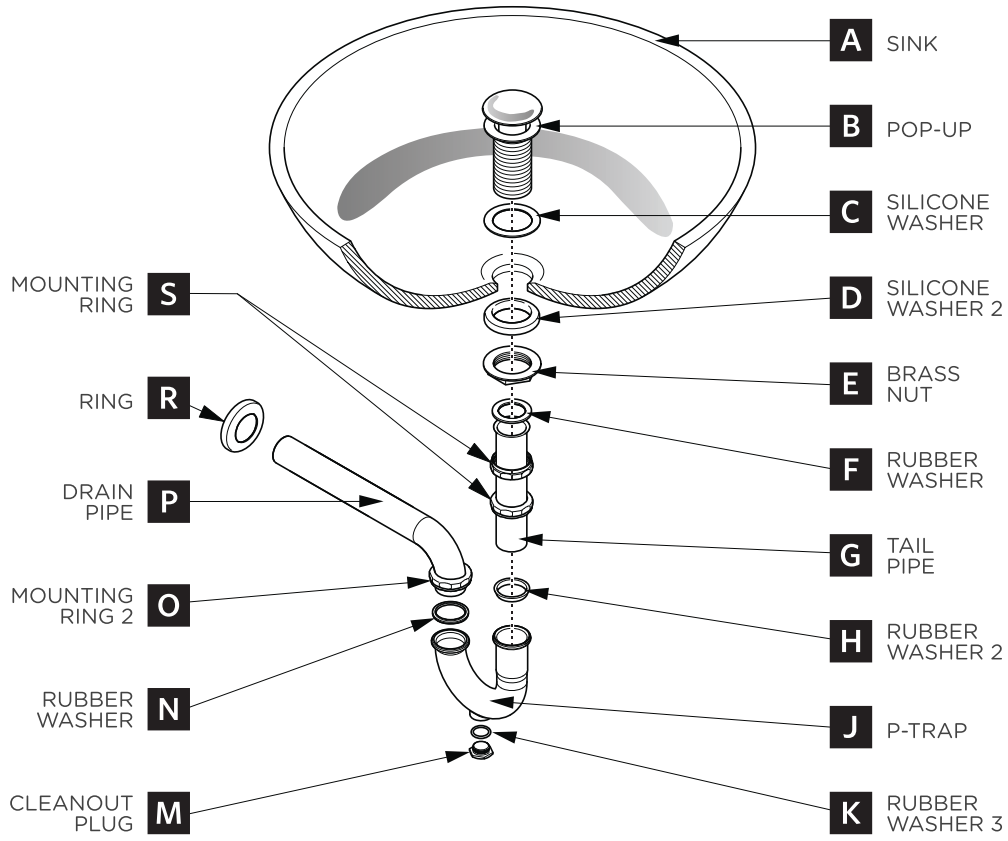
**IMPORTANT:** Consult an expert for the proper screws/bolts to use when attaching to various wall constructions. Screws provided do not attach to all wall construction types.



# P-TRAP & POP-UP

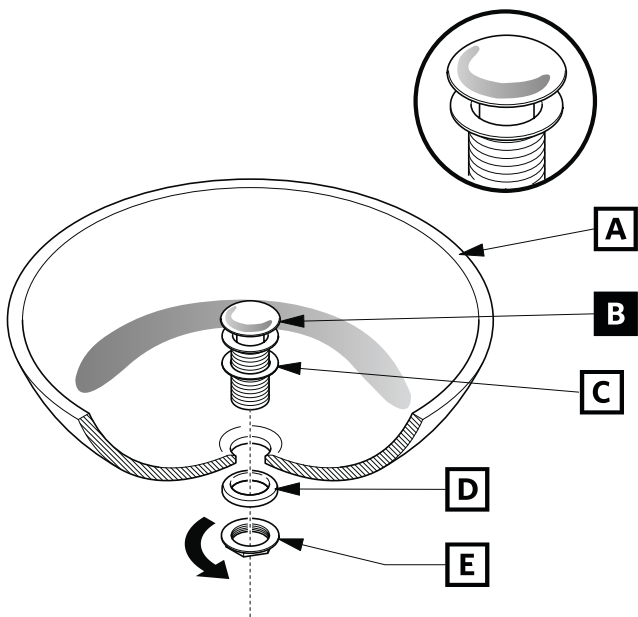
## INSTALLATION INSTRUCTIONS

Your item may appear slightly different from the illustration.



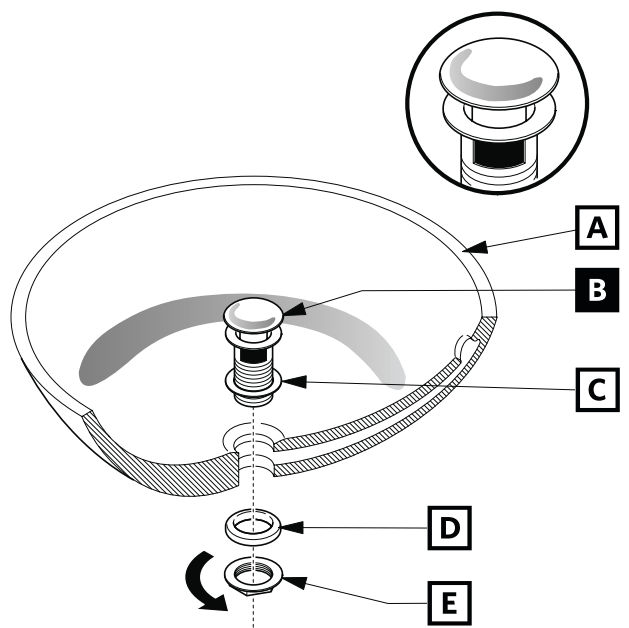
### POP-UP INSTALLATION

#### FOR SINKS WITHOUT OVERFLOW



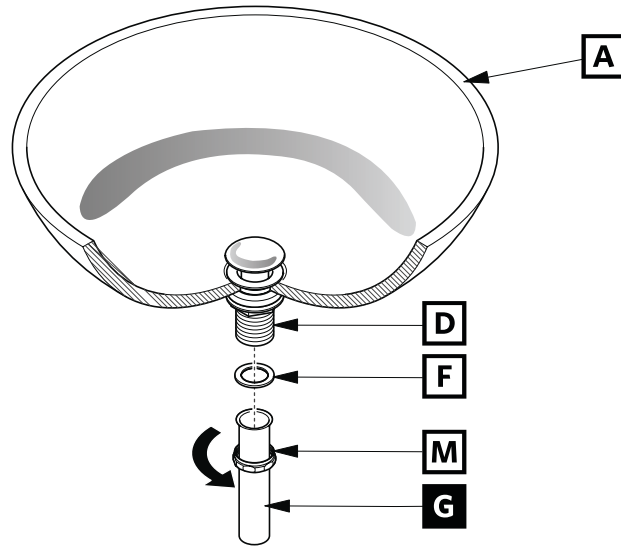
OR

#### FOR SINKS WITH OVERFLOW



# P-TRAP INSTALLATION

**1.** Install tail pipe (G)



**2.** Install P-trap (J)

